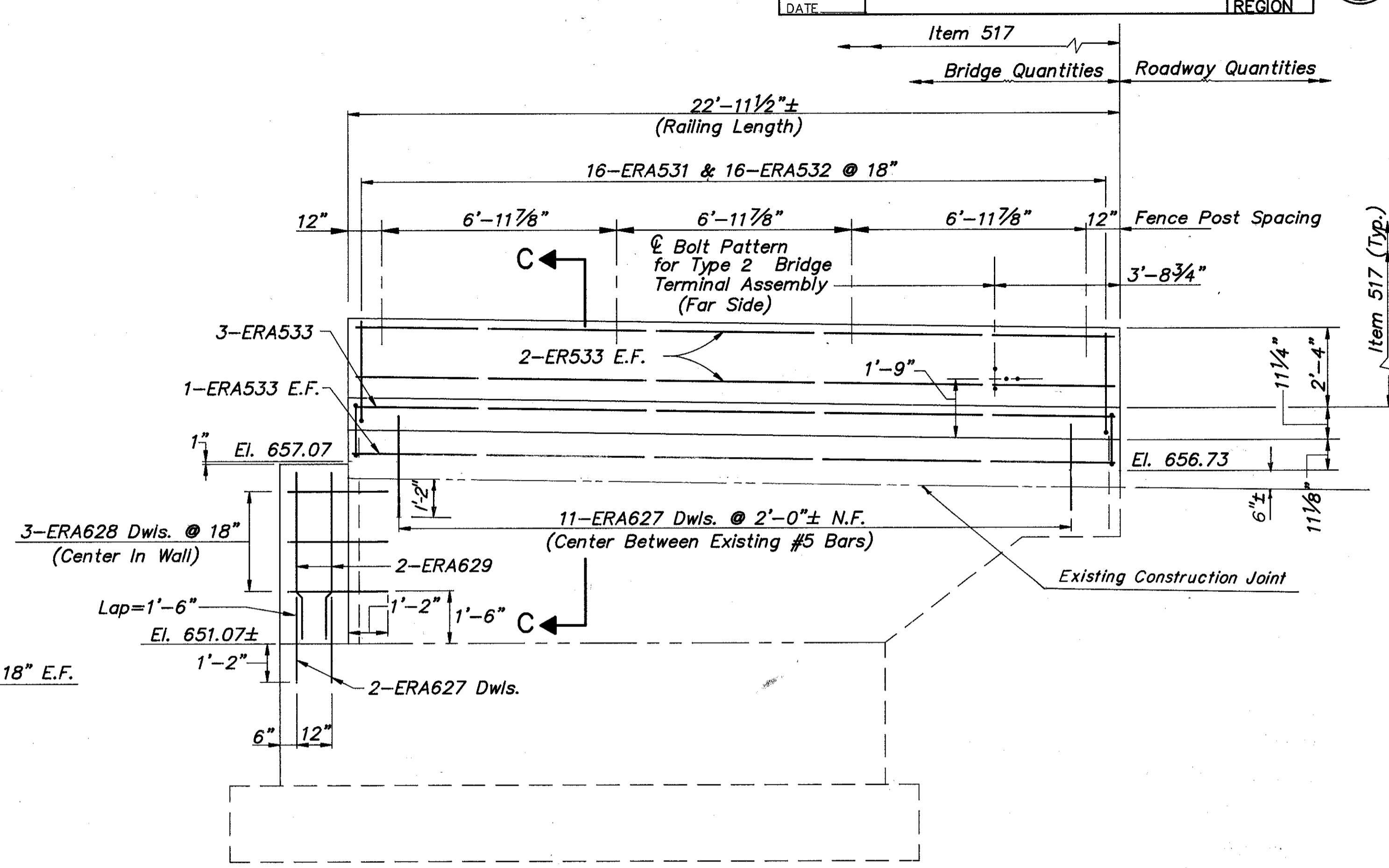


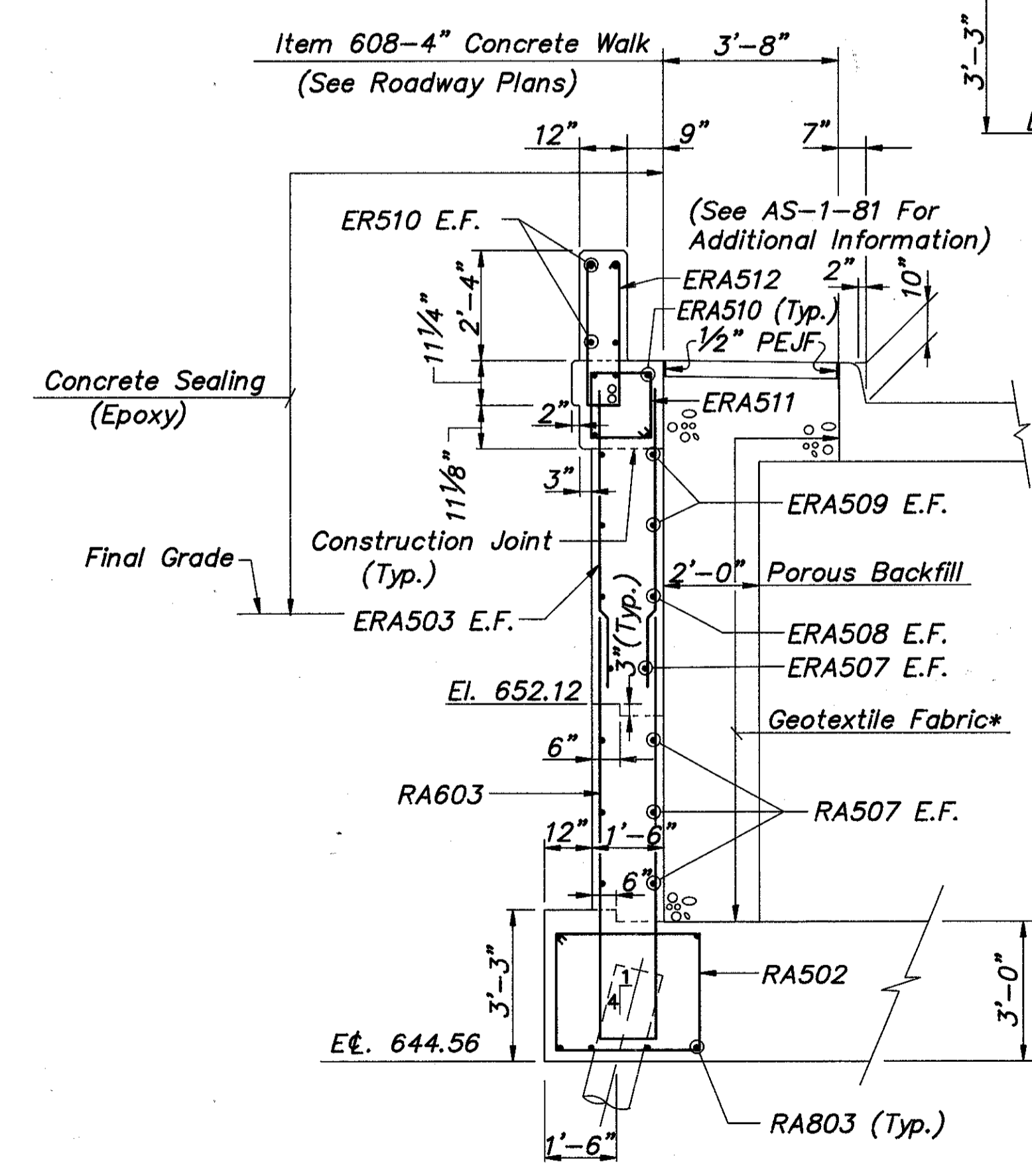
ELEVATION F-F
Proposed Wingwall
(Phase I)
(See Sheet 10/29)

* Geotextile Fabric Shall Conform to 712.09, Type A and Shall be Included with Porous Backfill for Payment.

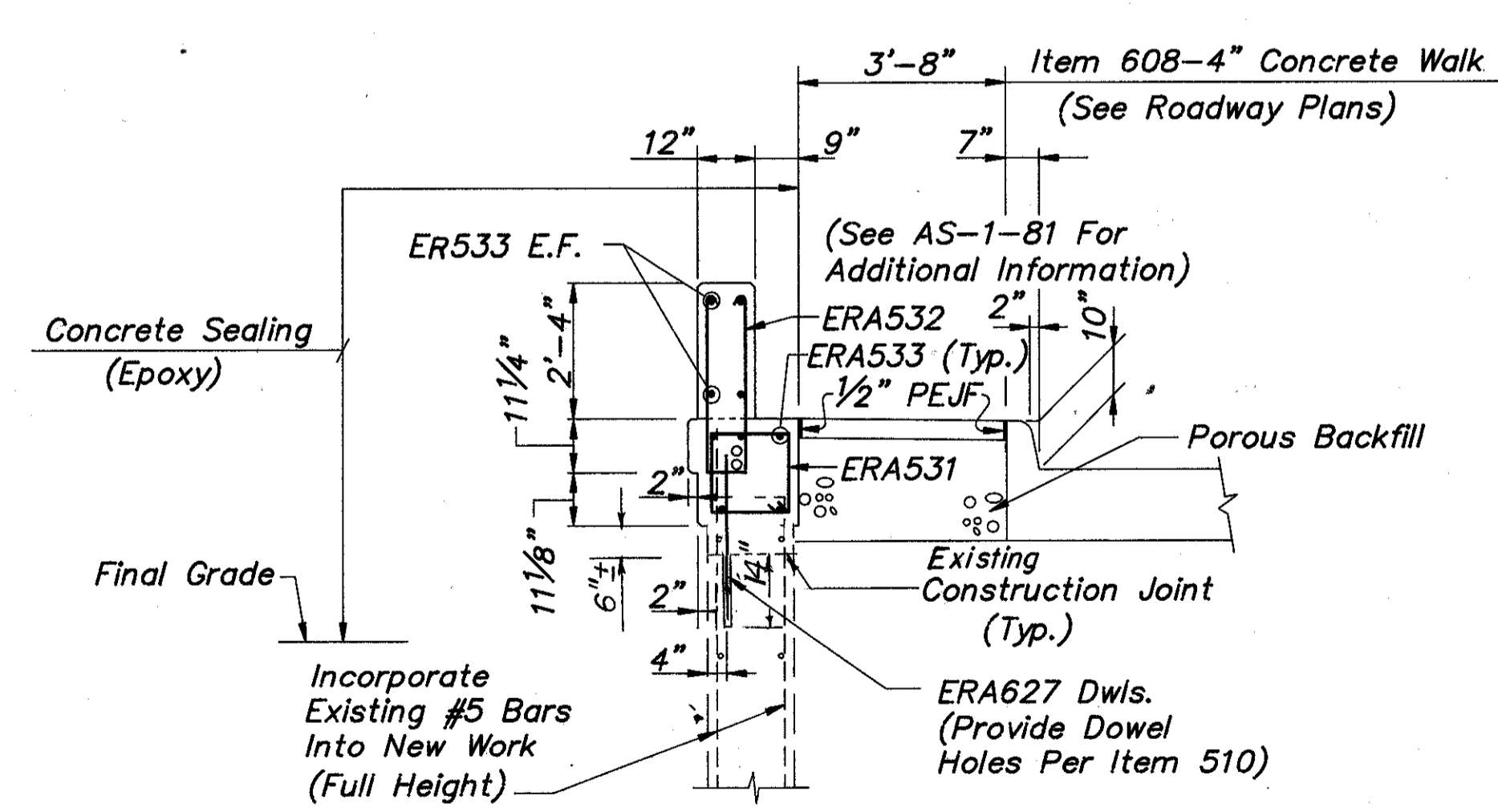


ELEVATION E-E
Proposed Parapet On Wingwall
(Phase II)
(See Sheet 10/29)

- Notes:
- 1) For Fence Details, See Sheet 27/29
 - 2) For Type 1 and 2 Guardrail Terminal Connections, See Drawing GR-3.
 - 3) Required Bar Laps: As Noted
 - 4) Notation: N.F.—Near Face, E.F.—Each Face, Dwls.—Dowels, Typ.—Typical



SECTION A-A



SECTION C-C

CT Consultants, Inc.
Engineers • Architects • Planners
Willoughby • Mentor • Columbus • North Canton • Youngstown

REAR ABUTMENT WINGWALL DETAILS
BRIDGE No. LAK-306-0691
OVER STATE ROUTE 2
LAKE COUNTY

DESIGNED	DRAWN	TRACED	CHECKED	REVIEWED	DATE	REVISED
J.P.R.	M.T.W.	M.T.W.	J.E.A.	BJA	8/31/11	