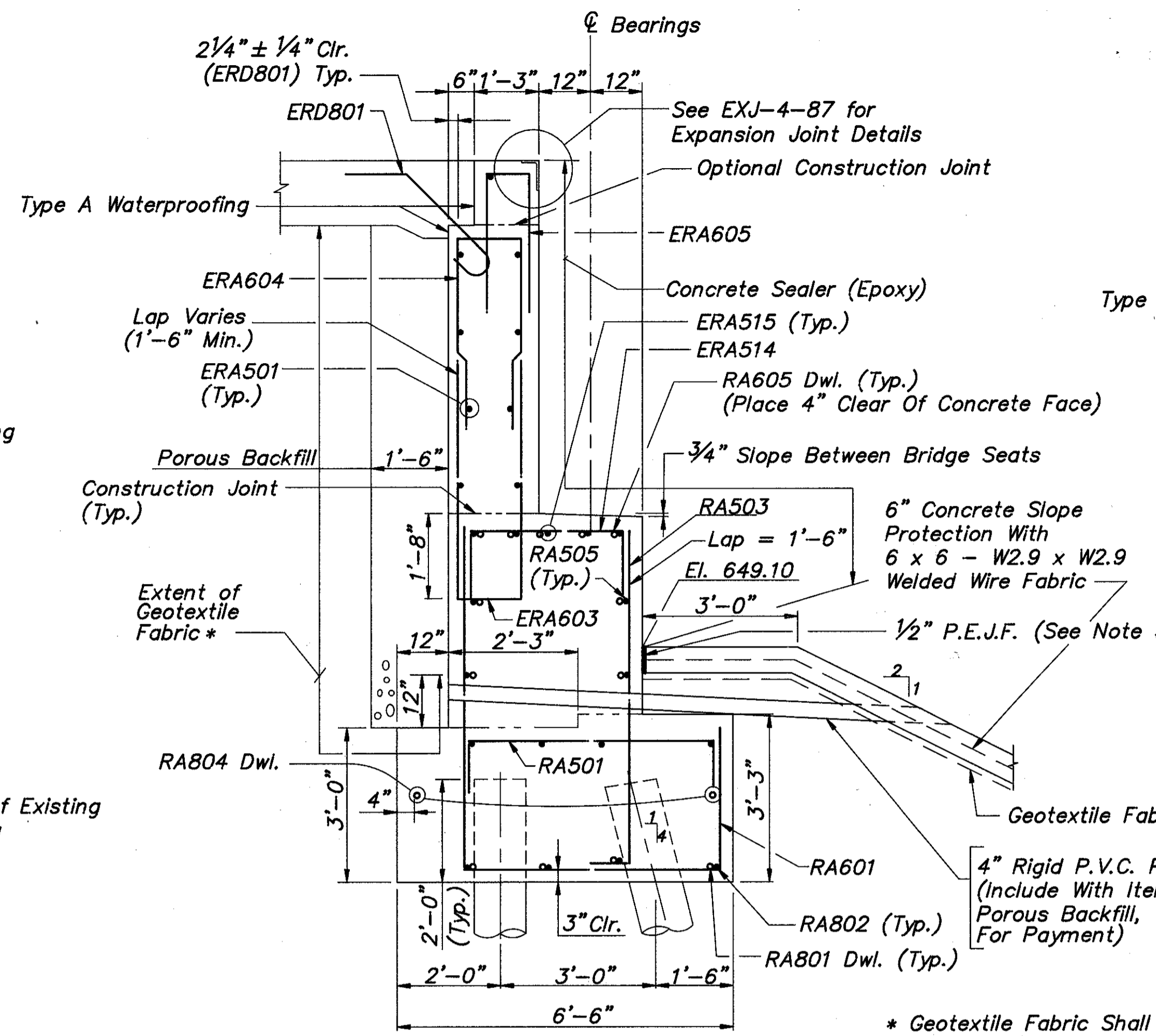
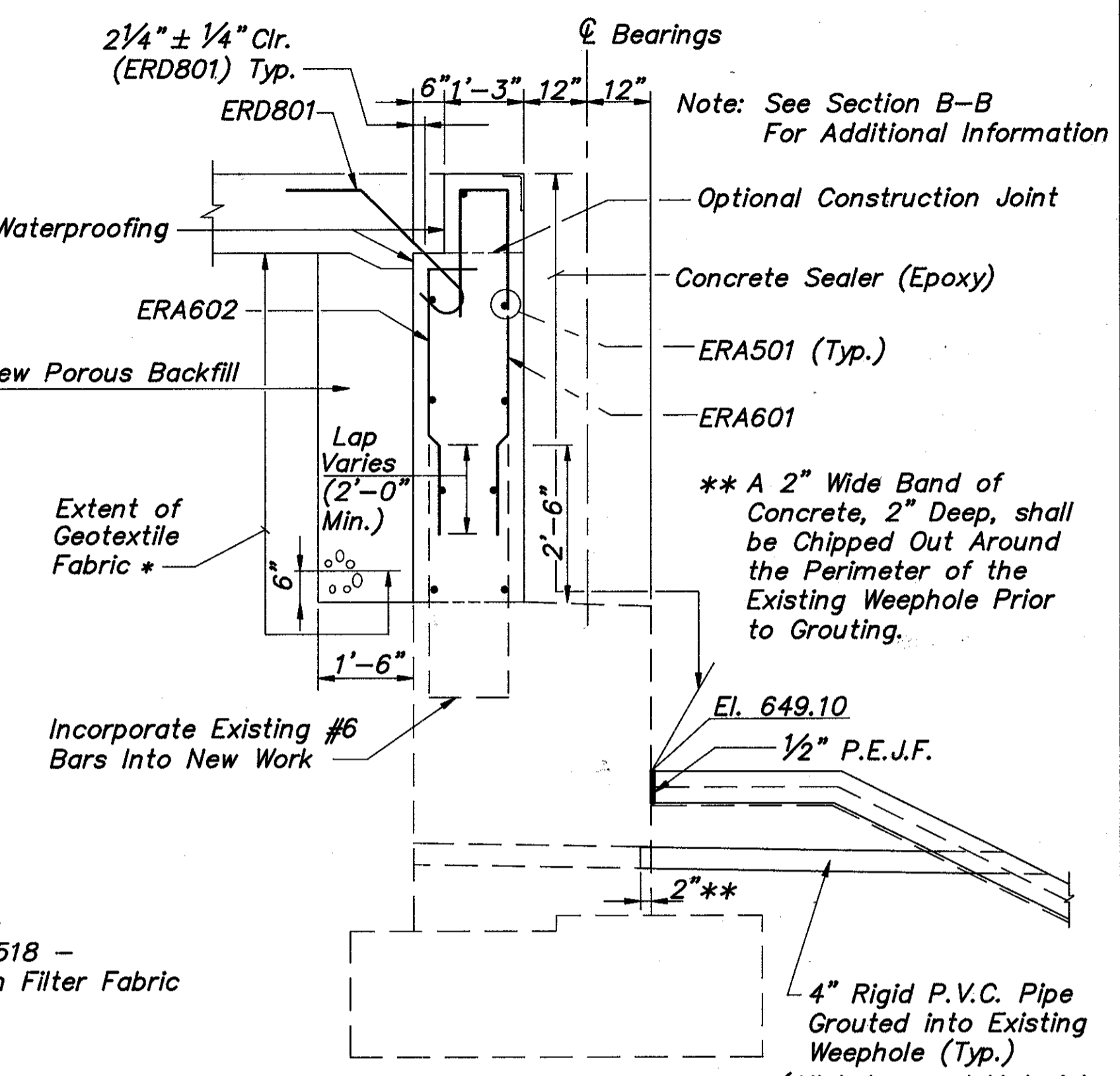


FOOTING PLAN



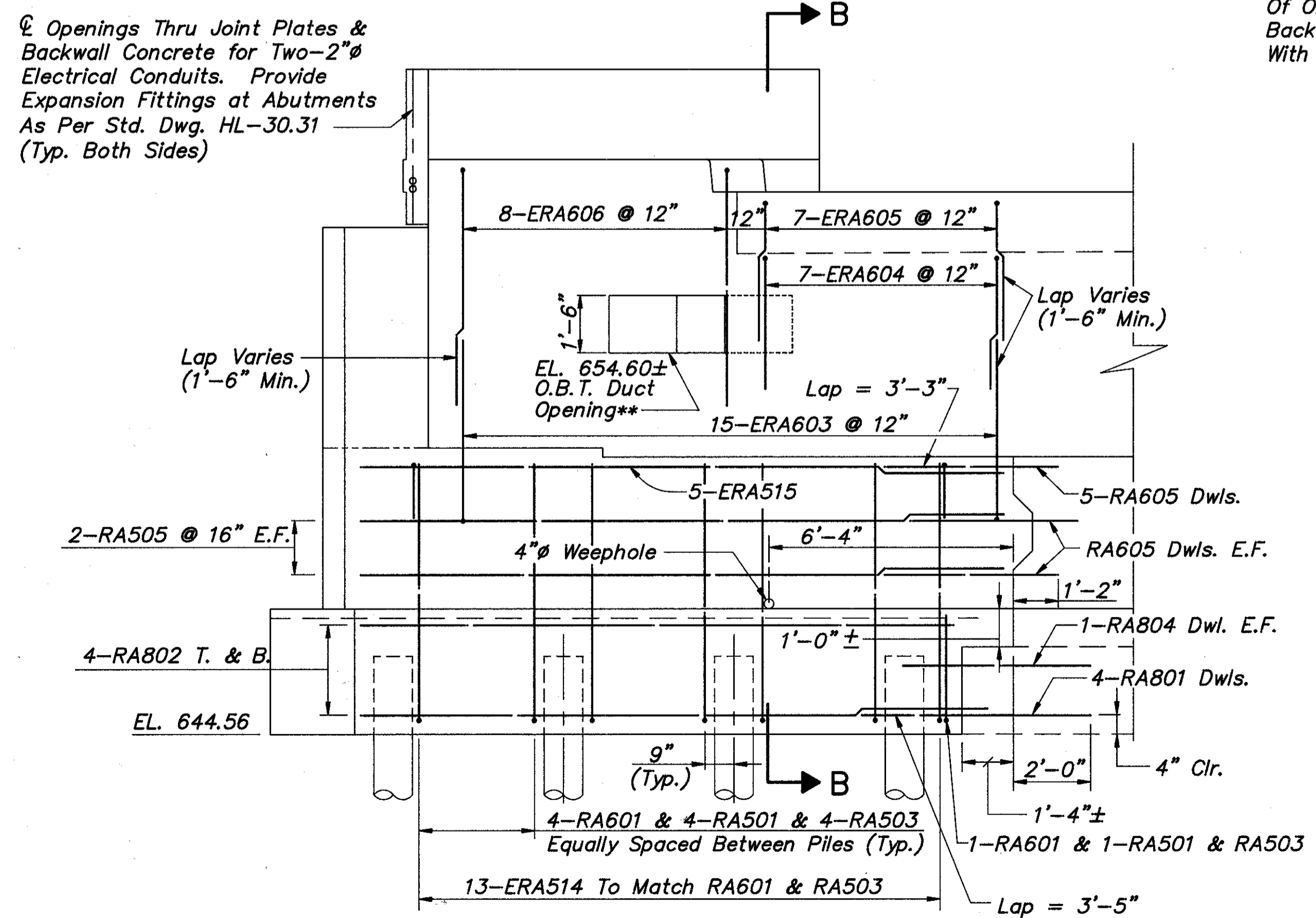
SECTION B-B



SECTION J-J

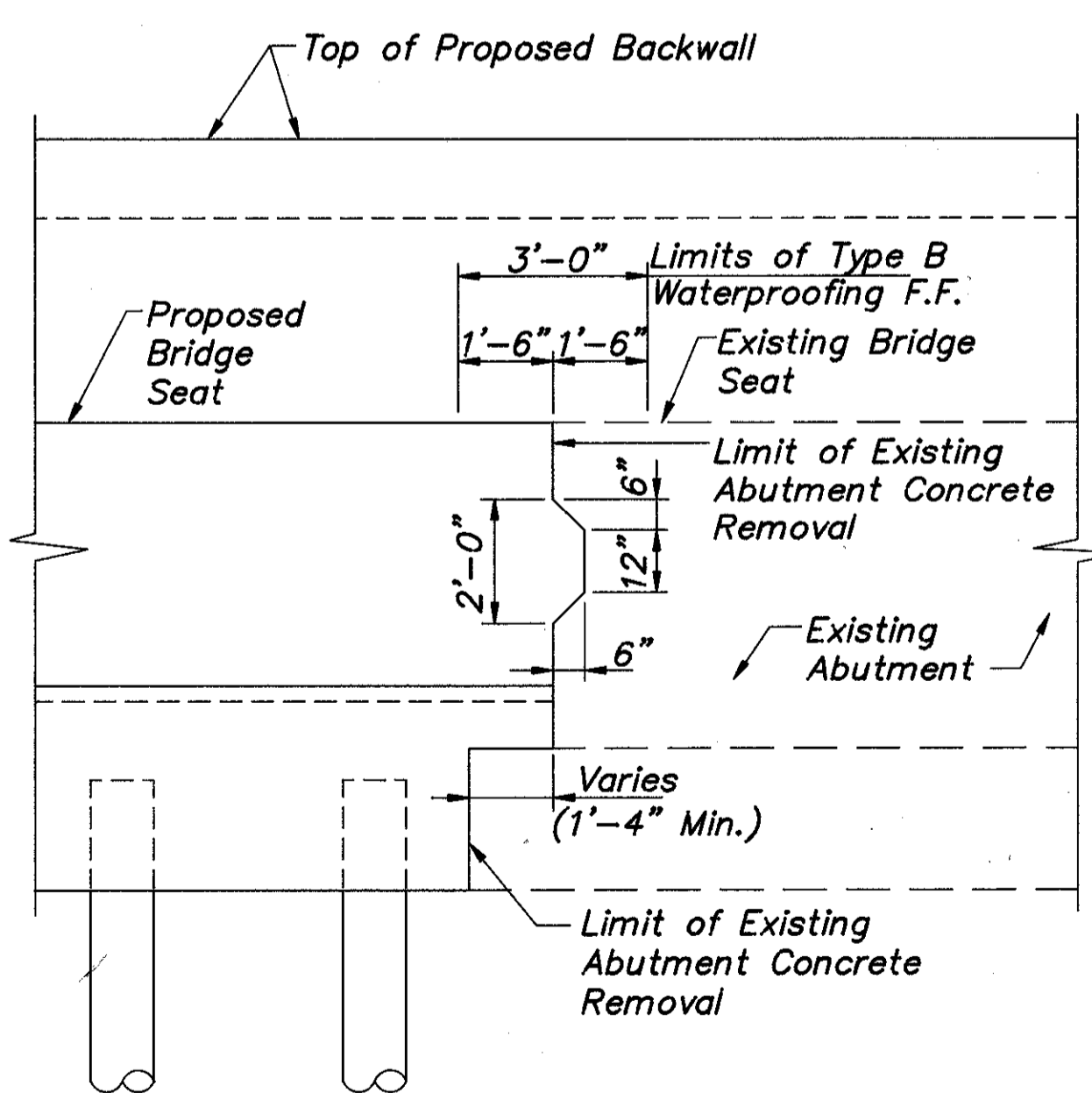
** Place 1/2" P.E.J.F. On All Sides Of OBT Duct Prior To Placing Backwall Concrete. Include With Item 511 For Payment.

* Geotextile Fabric Shall Conform to 712.09, Type A and Shall be Included with Porous Backfill for Payment.



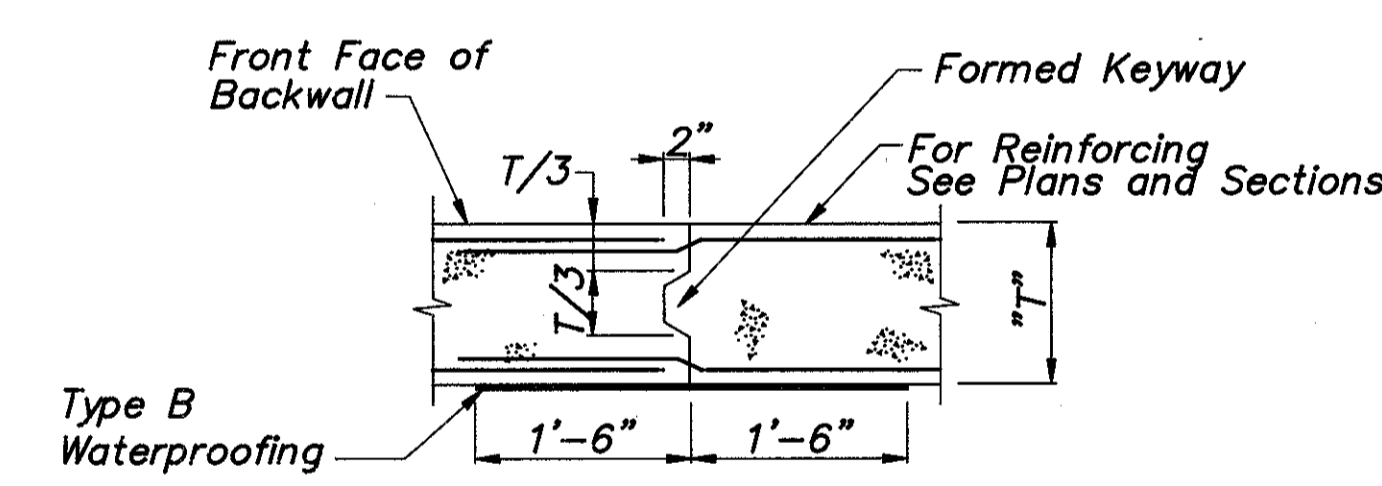
ELEVATION L-L

(Abutment Extension) See Sheet 10/29

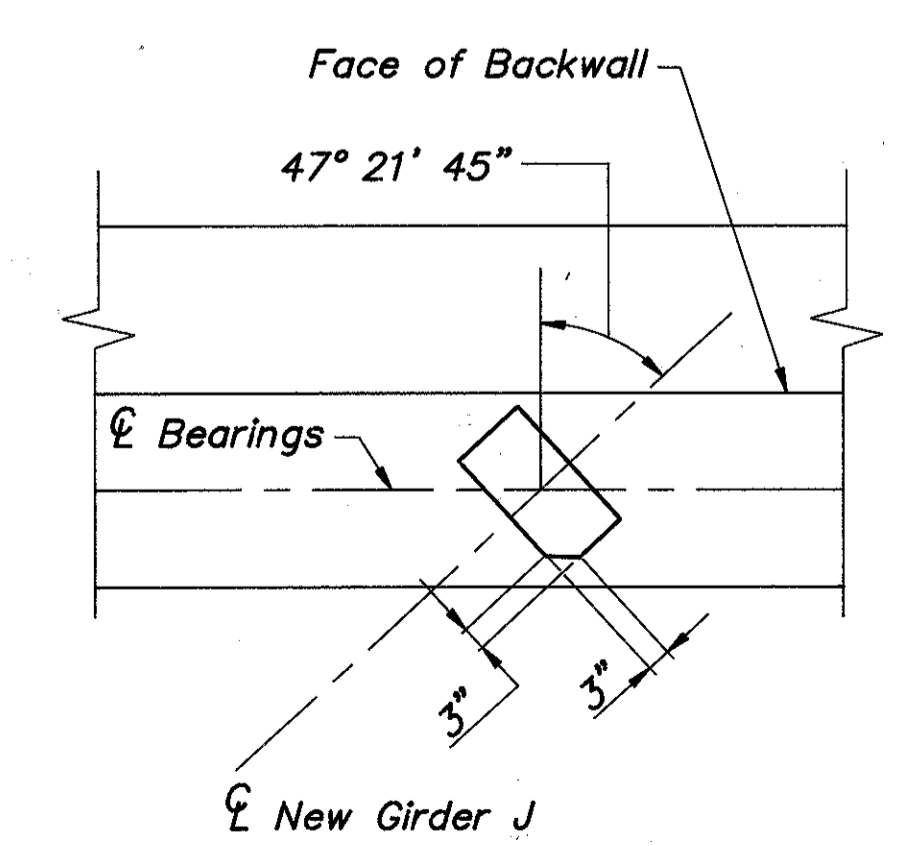


CONSTRUCTION JOINT DETAIL

Rear Abutment Joint Shown, Forward Abutment Joint Opposite Hand



BACKWALL CONSTRUCTION JOINT



BASE PLATE AT ABUTMENT

(For Modifier Rocker 100)

- Notes:
- 1) Required Bar Laps: As Noted
 - 2) Notation: T.—Top, B.—Bottom, N.F.—Near Face, F.F.—Far Face, E.F.—Each Face, Dwls.—Dowels, Min.—Minimum, Typ.—Typical
 - 3) Cut or Move Reinforcing in Backwall to Accommodate O.B.T. Duct Opening.
 - 4) See Sheet 10/29 for Plan Location of O.B.T. Duct Opening.
 - 5) The 1/2" P.E.J.F. Placed at the Abutment Face is Included with Item 601—Concrete Slope Protection, As Per Plan for Payment.
 - 6) Item 518—Porous Backfill, with Filter Fabric Porous Backfill Shall Extend up to the Plane of the Subgrade, to 1 Foot Below the Embankment Surface, and Laterally to the Ends of the Wingwalls. Geotextile Fabric shall Conform with 712.09, Type A, and be Included with Porous Backfill for Payment.

CT Consultants, Inc.
 Engineers • Architects • Planners
 Willoughby • Mentor • Columbus • North Canton • Youngstown

REAR ABUTMENT DETAILS
 BRIDGE No. LAK-306-0691
 OVER STATE ROUTE 2
 LAKE COUNTY

DESIGNED	DRAWN	TRACED	CHECKED	REVIEWED	DATE	REVISED
J.P.R.	M.T.W.	M.T.W.	J.E.A.	B.J.A.	3/31/90	