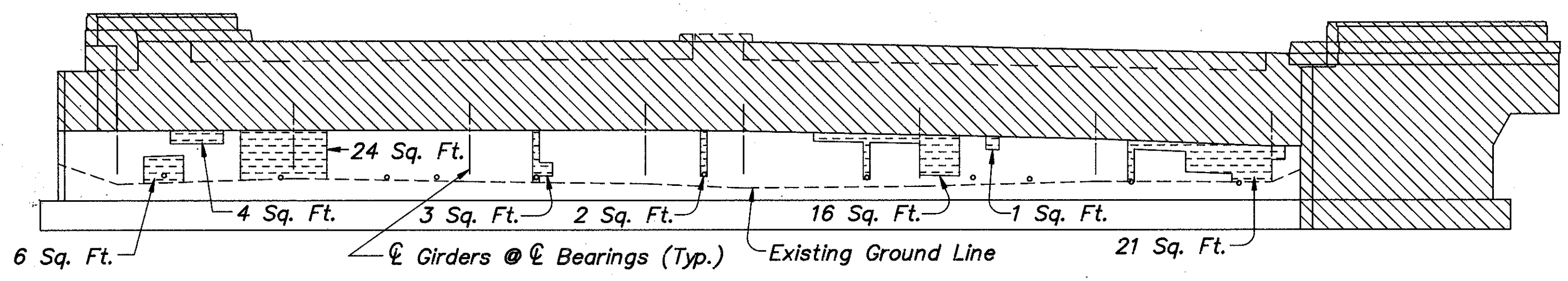
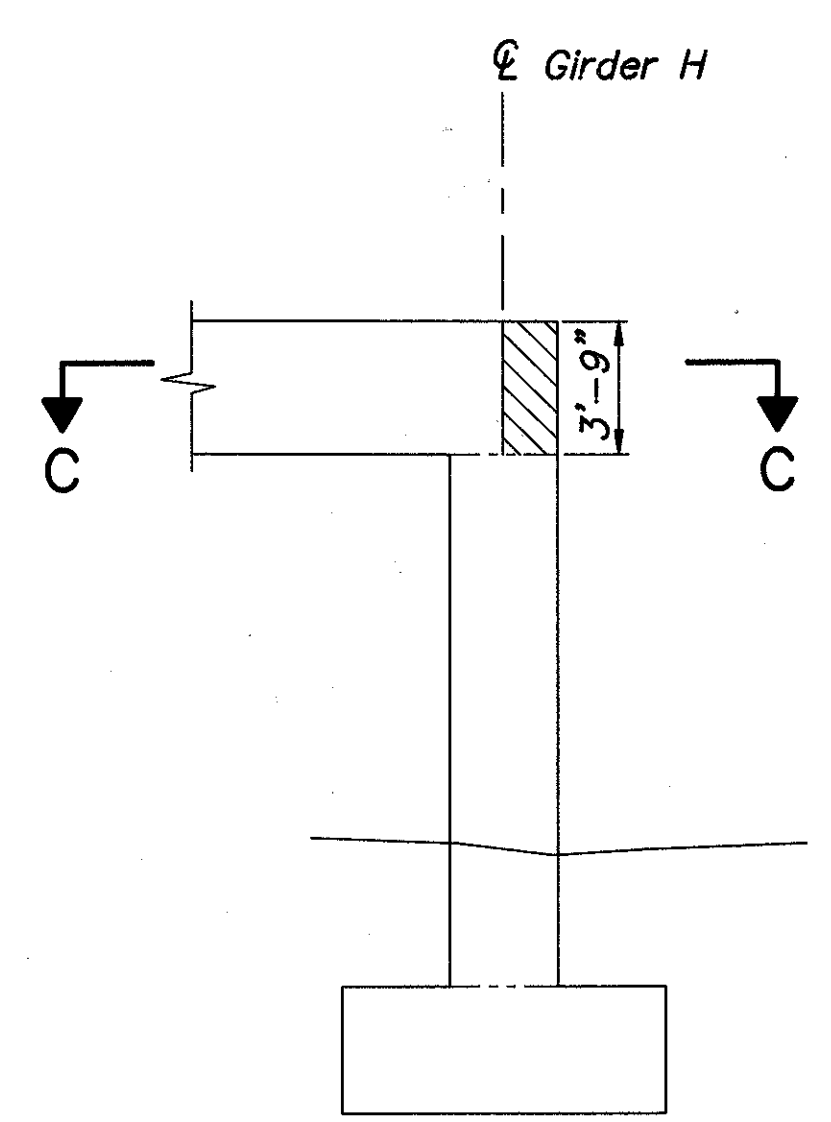


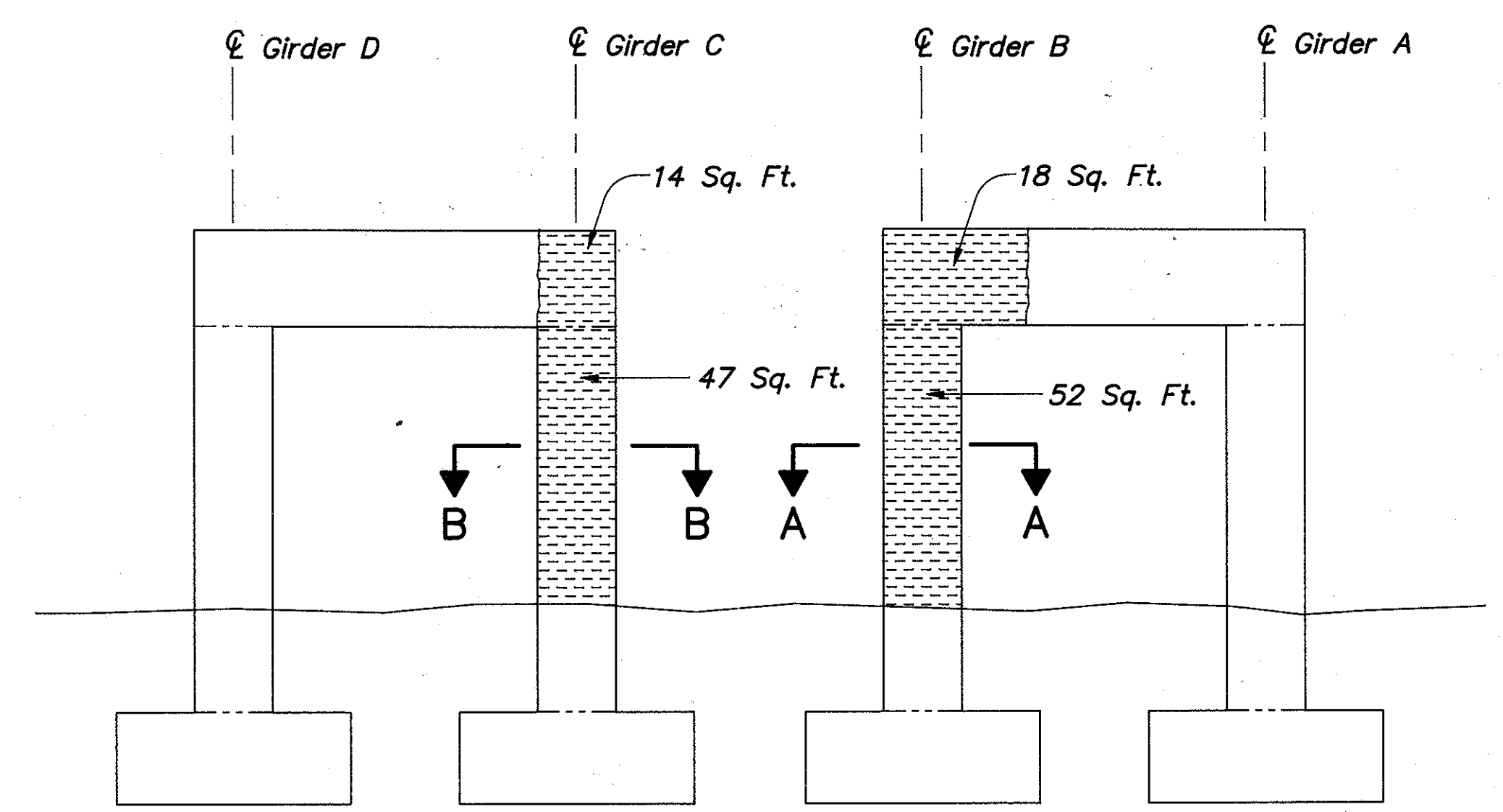
PLAN FORWARD ABUTMENT



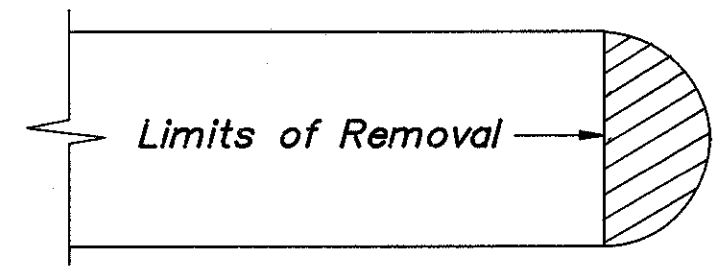
ELEVATION FORWARD ABUTMENT



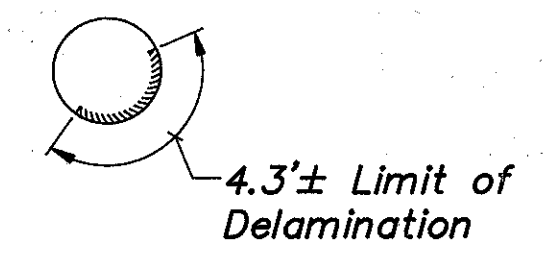
PARTIAL PIER ELEVATION  
(Typical All Three Piers)  
(Looking Ahead)



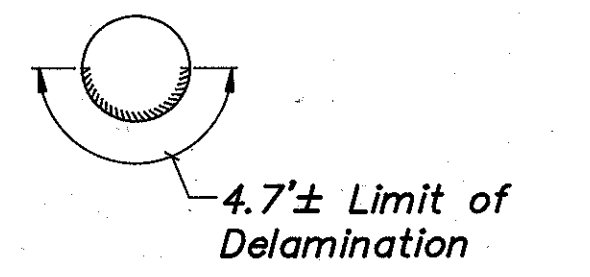
ELEVATION PIER #3  
(Looking Back)



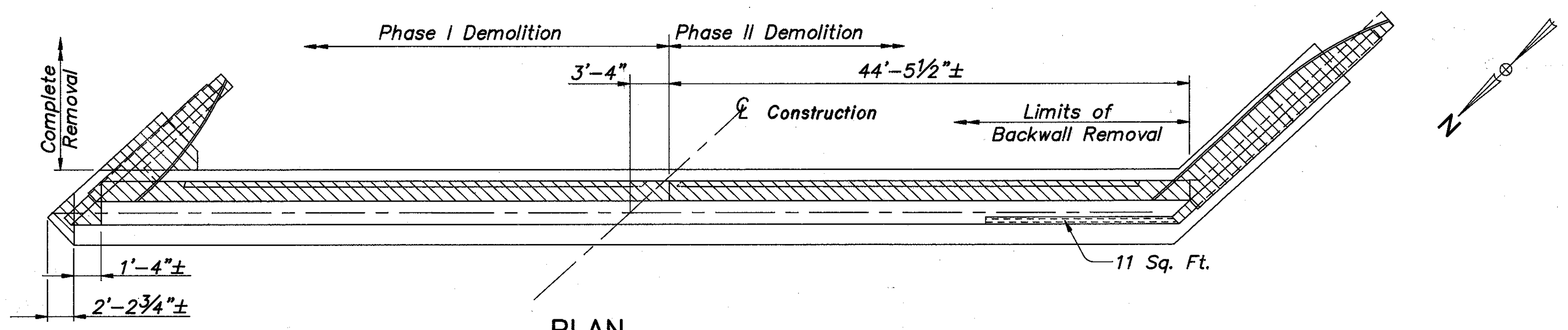
SECTION C-C



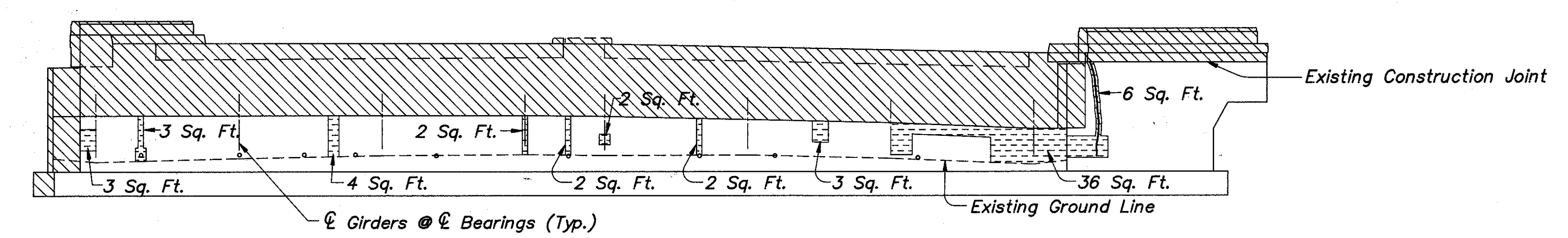
SECTION B-B



SECTION A-A



PLAN REAR ABUTMENT



ELEVATION REAR ABUTMENT

Notes:

- 1" deep saw cut to be made at surface before concrete is removed.
- Notation: Sq. Ft. - Square Feet, Typ. - Typical, Exist. - Existing.

Legend

- Existing portions to be removed (reinforcing to be salvaged as indicated in plans)
- Existing areas to be repaired per Item 519- Patching Concrete Structures

**CT Consultants, Inc.**  
Engineers • Architects • Planners  
Millsboro • Mentor • Columbus • North Canton • Youngstown

9/29

**ABUTMENT DEMOLITION & REPAIR AND PIER REPAIR**  
BRIDGE No. LAK-306-0691  
OVER STATE ROUTE 2  
LAKE COUNTY

DESIGNED	DRAWN	TRACED	CHECKED	REVIEWED	DATE	REVISED
JEA	M.T.W.	M.T.W.	J.P.R.	BJA	8/31/90	