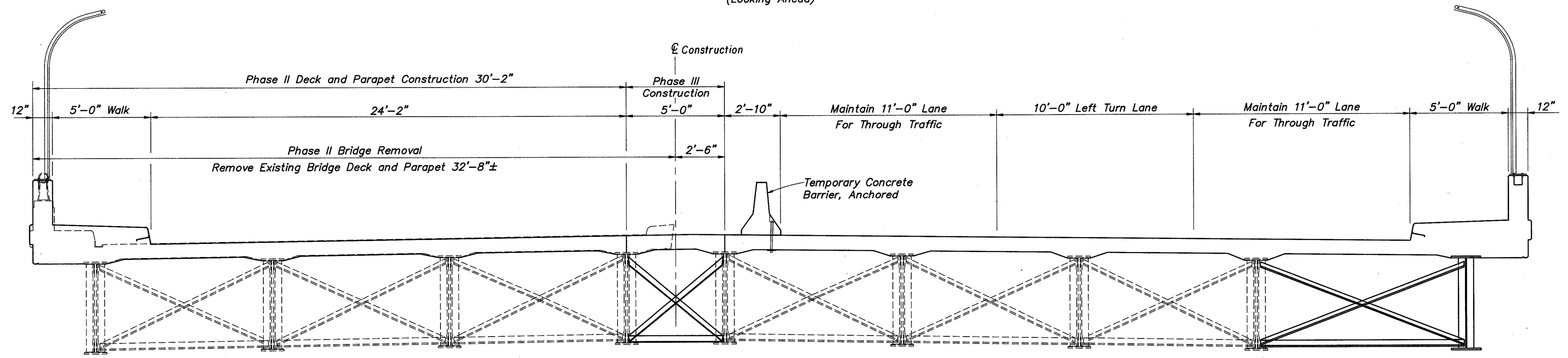
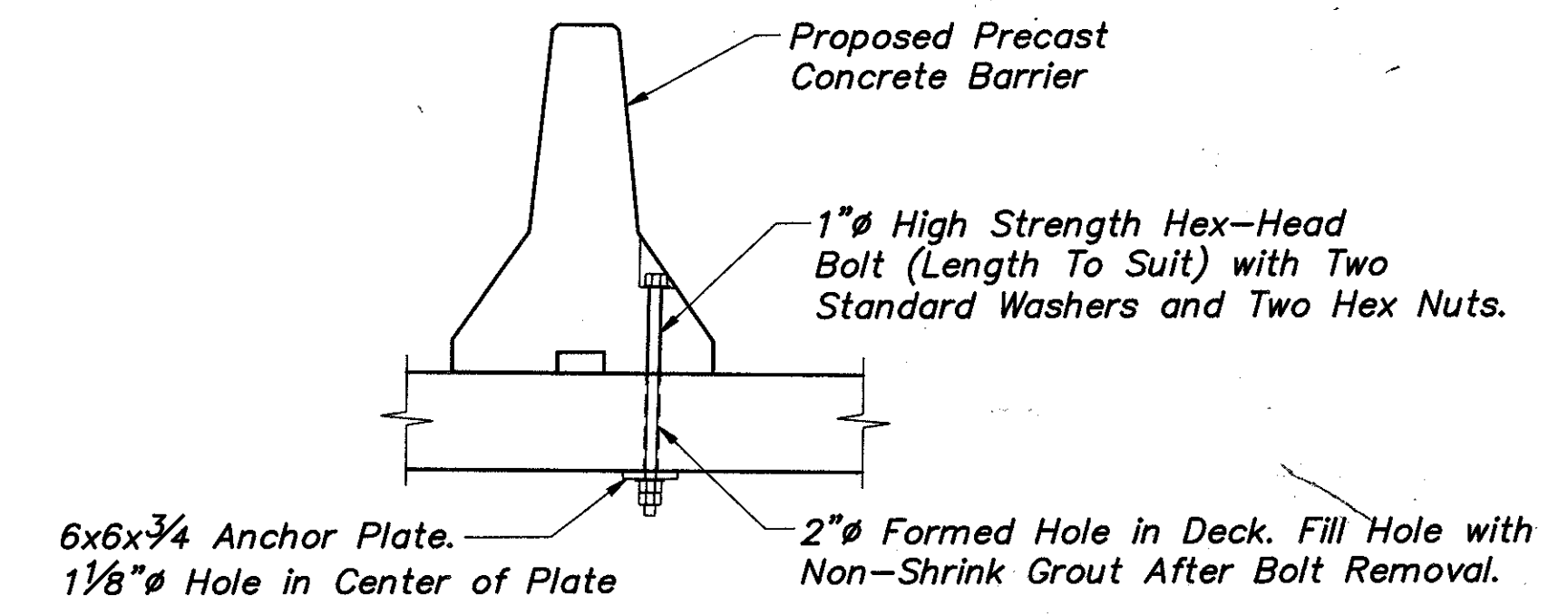


PHASE I
(Looking Ahead)



PHASE II
(Looking Ahead)



CONCRETE BARRIER ANCHORED CONNECTION DETAIL

CT Consultants, Inc.
Engineers • Architects • Planners
Willoughby • Mentor • North Canton • Steubenville • Lorain 7/29

PHASE CONSTRUCTION DETAILS
BRIDGE No. LAK-306-0691
OVER STATE ROUTE 2
LAKE COUNTY

DESIGNED	DRAWN	TRACED	CHECKED	REVIEWED	DATE	REVISED
JEA	M.T.W. R.L.B.	M.T.W. R.L.B.	J.P.R.	BJA	8/31/90	