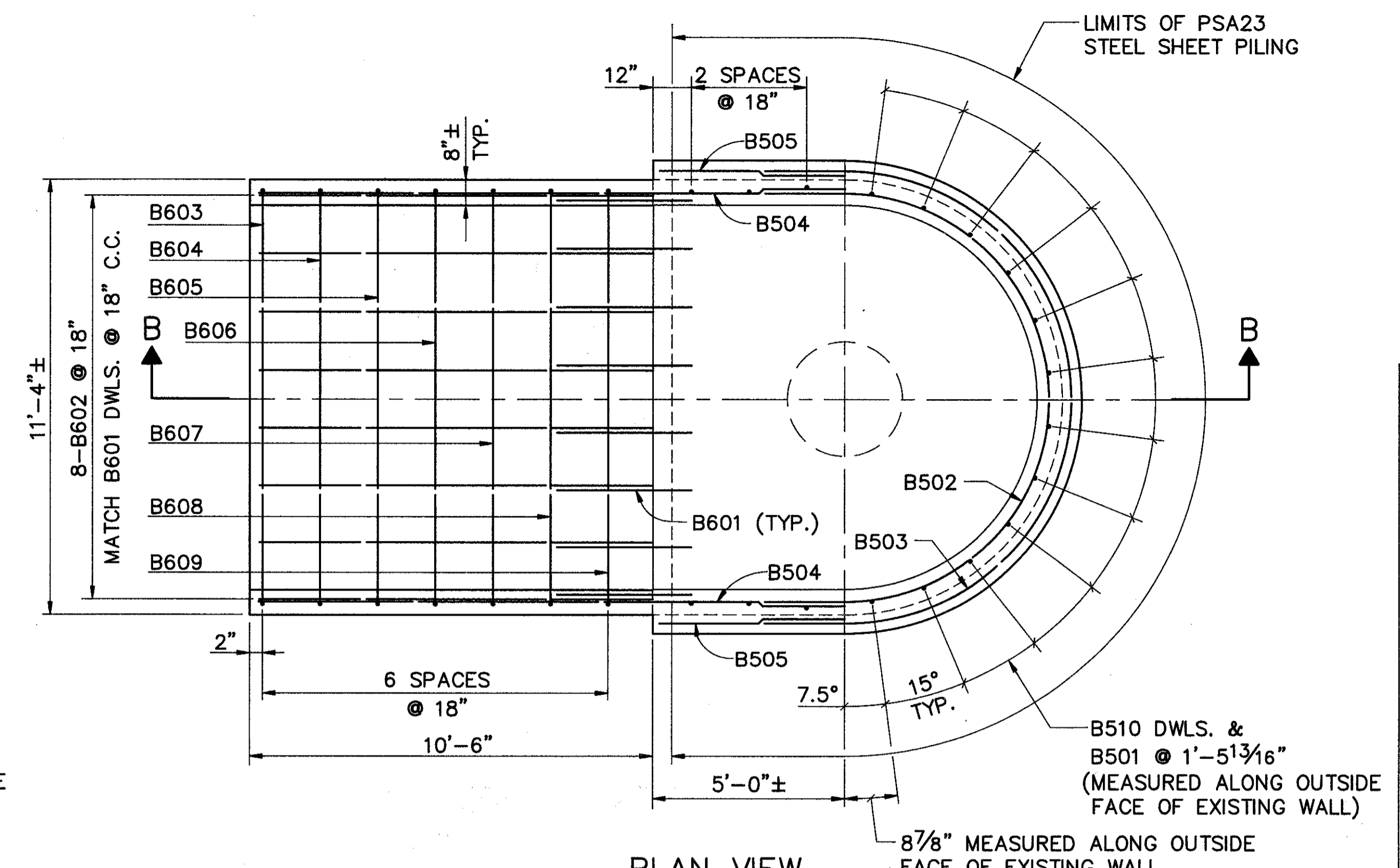
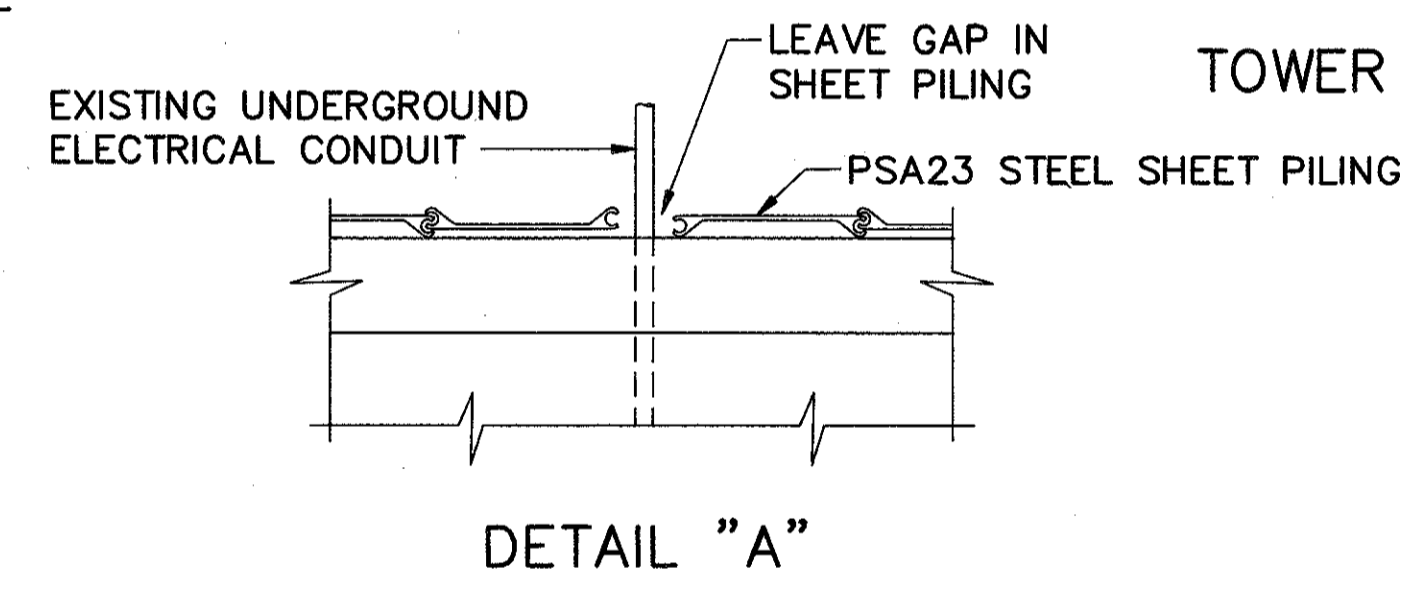


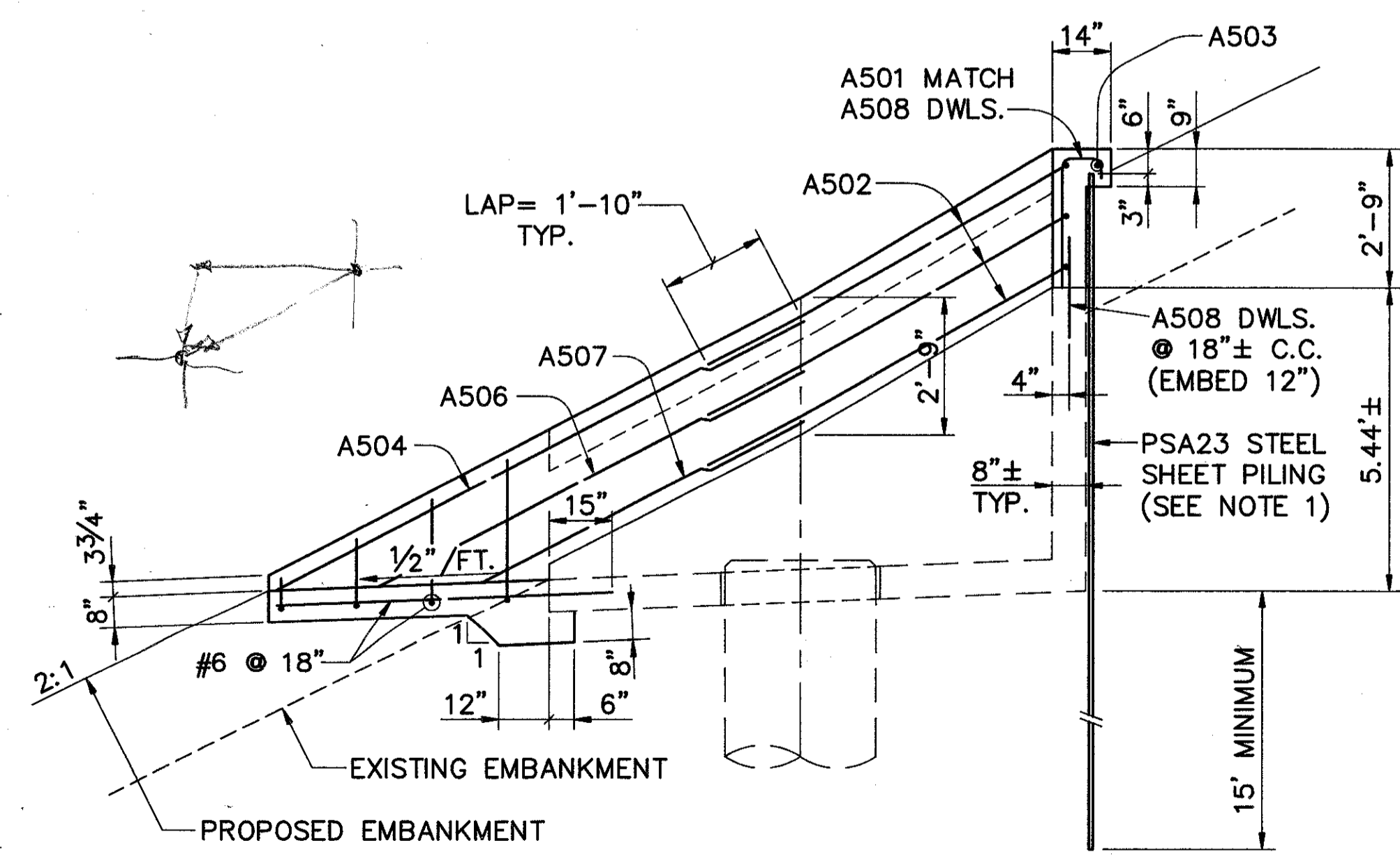
PLAN VIEW  
TOWER LIGHT AT STA. 25+45, RIGHT



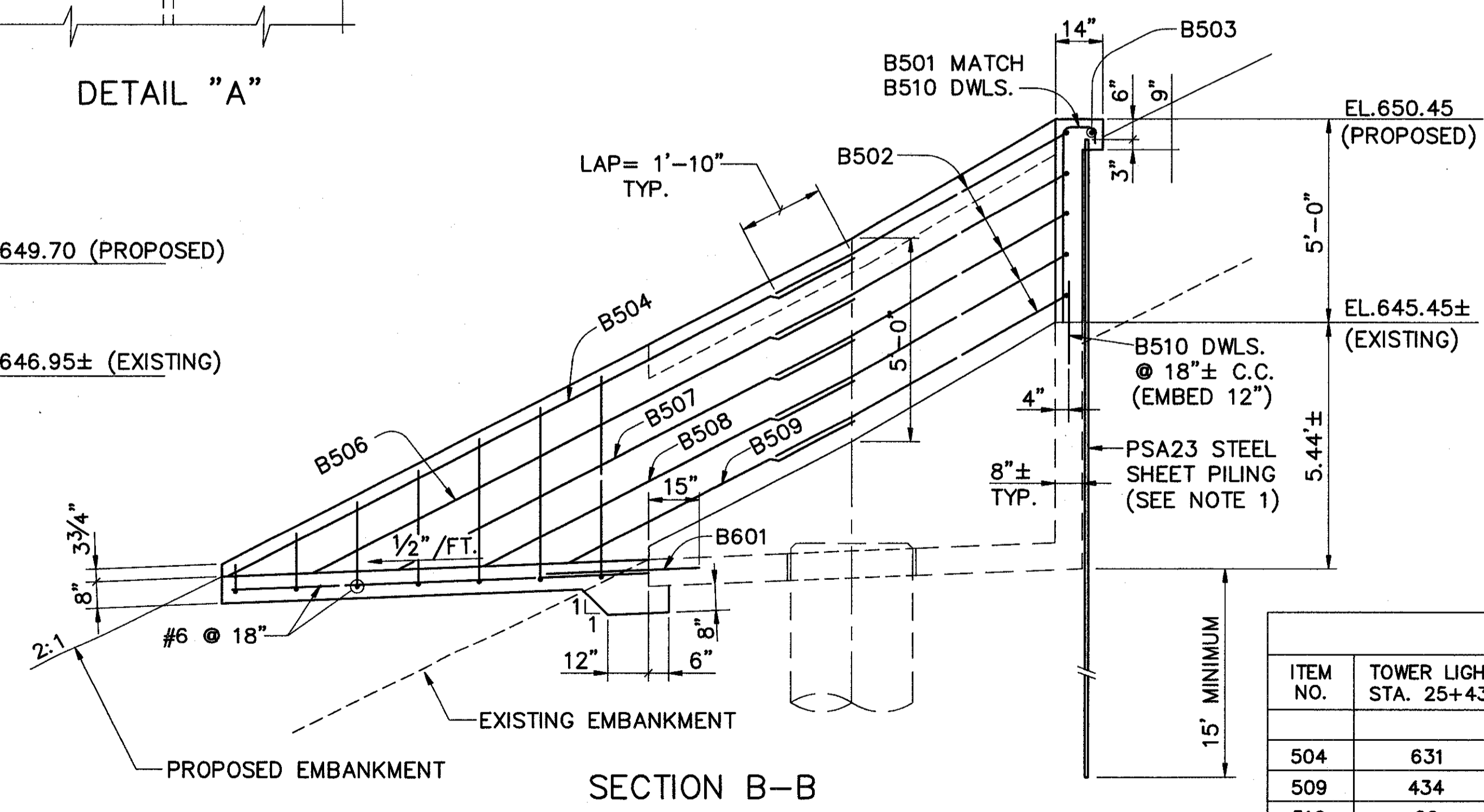
PLAN VIEW  
TOWER LIGHT AT STA. 34+24, RIGHT



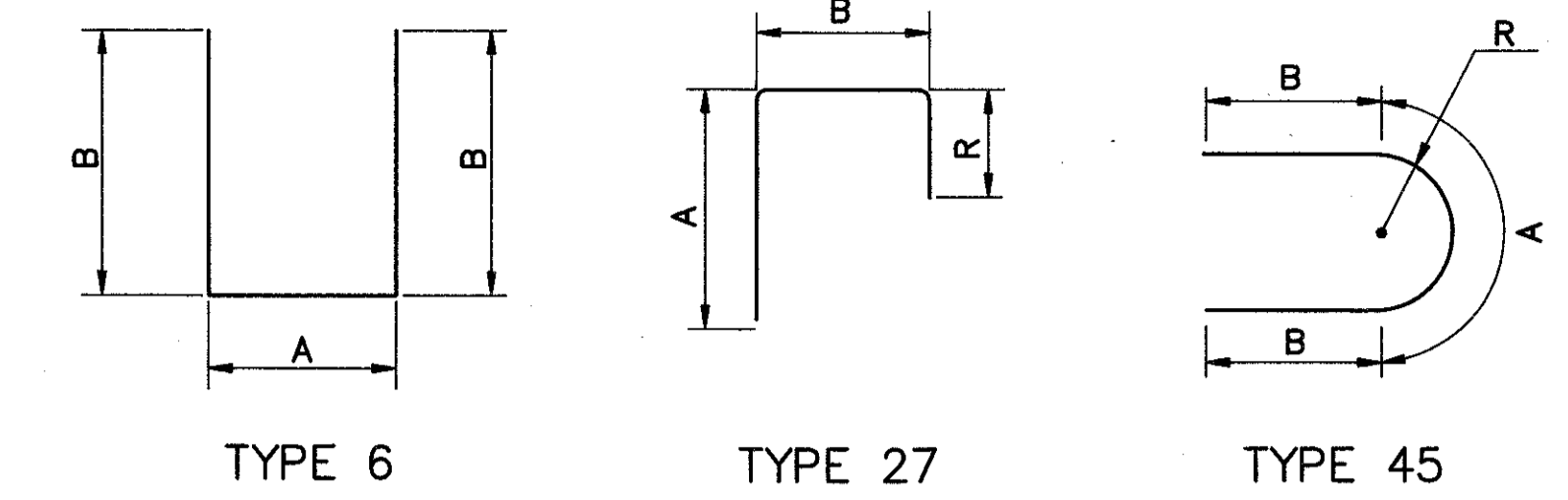
DETAIL "A"



SECTION A-A



SECTION B-B



REINFORCING SCHEDULE							
MARK	NO.	LENGTH	TYPE	A	B	R	WEIGHT LBS.
LIGHT POLE @ STA. 25+45							
A501	18	3'-7"	27	2'-7"	10"	5"	67
A502	3	22'-6"	45	18'-10"	1'-10"	5'-3 3/4"	68
A503	1	24'-5"	45	20'-9"	1'-10"	5'-11"	25
A504	2	11'-9"	STR				25
A505	2	5'-5"	STR				11
A506	2	9'-5"	STR				20
A507	2	7'-2"	STR				15
A508	18	2'-0"	STR				38
SUB-TOTAL							434
LIGHT POLE @ STA. 34+24							
B501	18	5'-10"	27	4'-10"	10"	5"	109
B502	5	22'-6"	45	18'-10"	1'-10"	5'-3 3/4"	117
B503	1	24'-5"	45	20'-9"	1'-10"	5'-11"	25
B504	2	17'-3"	STR				36
B505	2	5'-5"	STR				11
B506	2	14'-11"	STR				31
B507	2	12'-7"	STR				26
B508	2	10'-2"	STR				21
B509	2	7'-10"	STR				16
B510	18	2'-0"	STR				38
SUB-TOTAL							768
TOTALS							1,202 LBS.

NOTE: ALL DIMENSIONS ARE OUT TO OUT

* ESTIMATED QUANTITIES					
ITEM NO.	TOWER LIGHT STA. 25+43	TOWER LIGHT STA. 34+24	TOTAL	UNIT	DESCRIPTION
504	631	694	1325	SQ.FT.	STEEL SHEET PILING LEFT IN PLACE, AS PER PLAN
509	434	768	1202	LBS.	REINFORCING STEEL, GRADE 60
510	26	26	52	EACH	DOWEL HOLE
511	5	9	14	CU.YD.	CLASS C CONCRETE, RETAINING WALL OR WINGWALL, INCLUDING FOOTING

\* ESTIMATED QUANTITIES CARRIED TO GENERAL SUMMARY SHEET NO. 24

- NOTES:
- THE CONTRACTOR SHALL LOCATE THE EXISTING UNDERGROUND ELECTRICAL CONDUITS BEFORE DRIVING THE SHEET PILING. THE PILING SHALL BE DISCONTINUED AT THOSE POINTS, SEE DETAIL "A" THIS SHEET.
  - NOTATION: DWLS.-DOWELS, TYP.-TYPICAL, EL.-ELEVATION