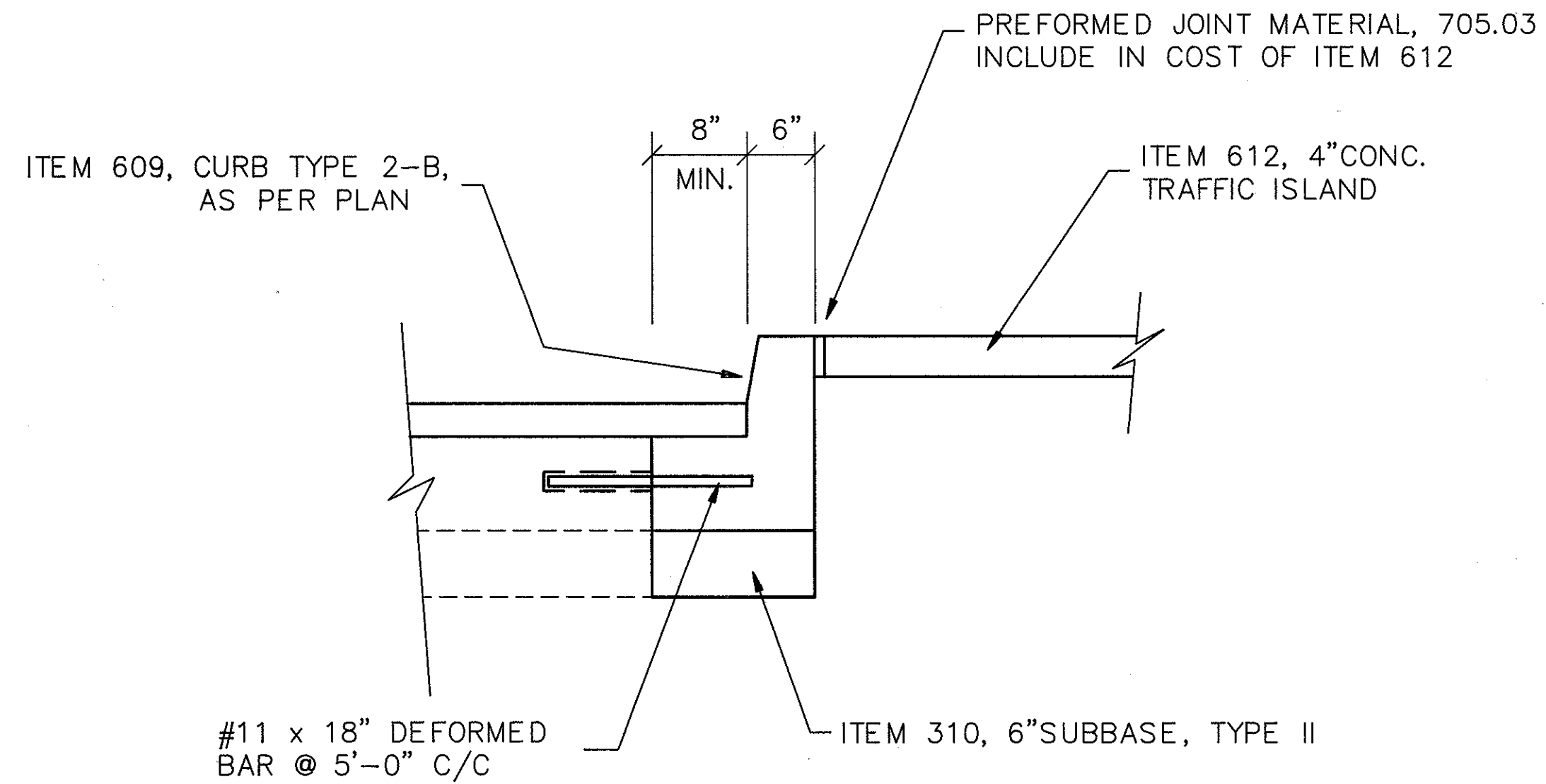
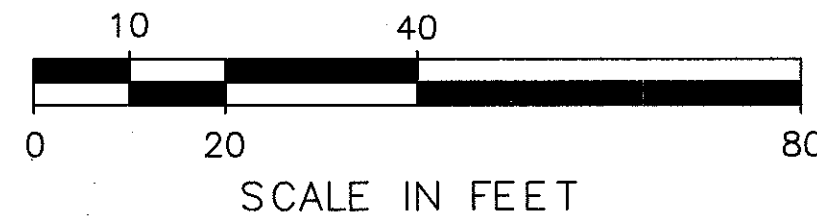


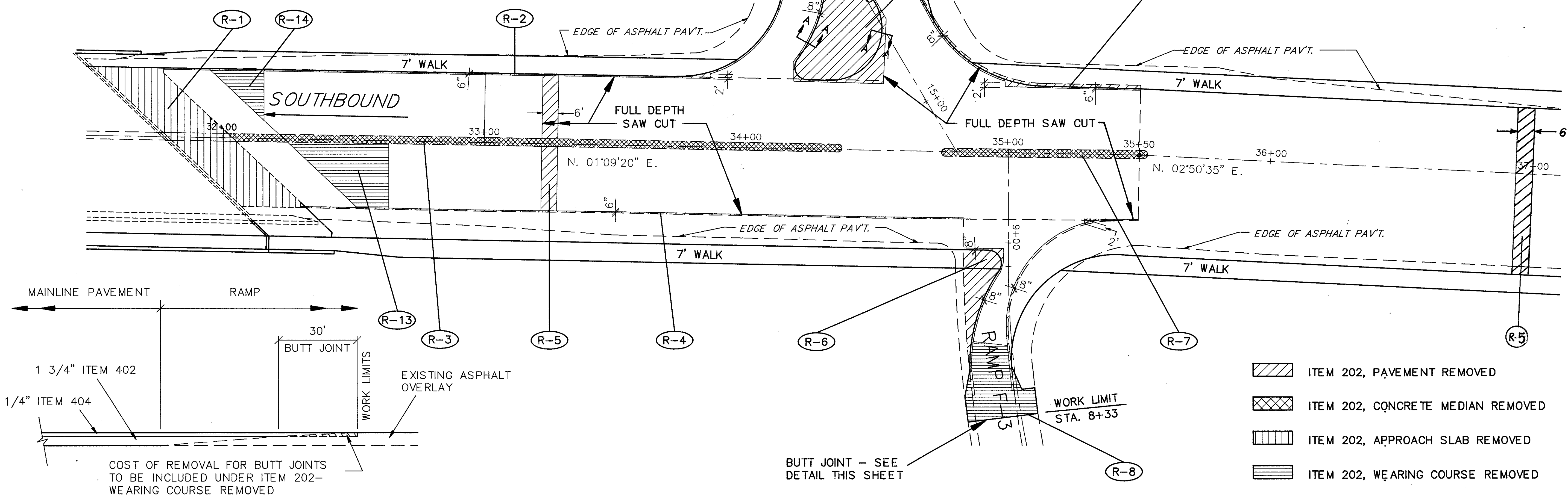
PAVEMENT REMOVAL PLAN



SECTION A-A

Quantities Carried to Subsummaries Sht. 20

ROADWAY		202	202	202	202		
REF.	LOCATIONS	PAVEMENT REMOVED SY	CONCRETE MEDIUM REMOVED SY	WEARING COURSE REMOVED SY	APPROACH SLAB REMOVED SY		
R-1	STA. 31+79 TO STA. 32+04						
R-2	STA. 31+79 TO STA. 34+02, LT.	18					
R-3	STA. 32+04 TO STA. 34+36		77				
R-4	STA. 32+32 TO STA. 34+83	14					
R-5	STA. 33+25 and STA. 36+94	64					
R-6	STA. 35+00, RT.	65					
R-7	STA. 34+75 TO STA. 35+53		26				
R-8	RAMP F-3, BUTT JOINT			90			
R-9	RAMP F-1 & F-2, BUTT JOINT			150			
R-10	TRAFFIC ISLAND, RAMP F-1 & F-2	155					
R-11	STA. 34+65 TO STA. 35+50	7					
R-12	RAMP F-1 & F-2 STA. 14+09.09 TO STA. 14+57		15				
R-13	STA. 32+25 TO STA. 32+63.5, RT.			68			
R-14	STA. 31+95.5 TO STA. 32+16, LT.			23			
TOTALS		323	118	331	147		



FEATHER DETAIL @ RAMPS