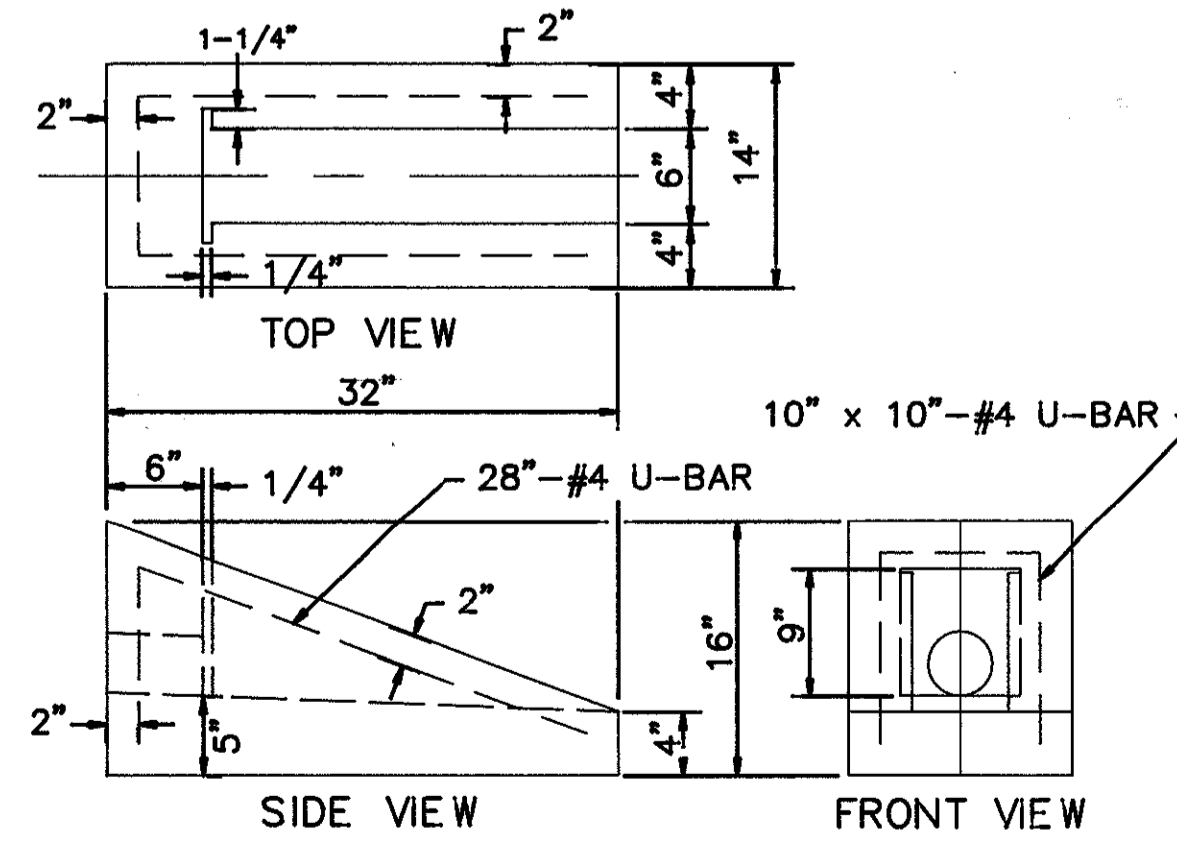
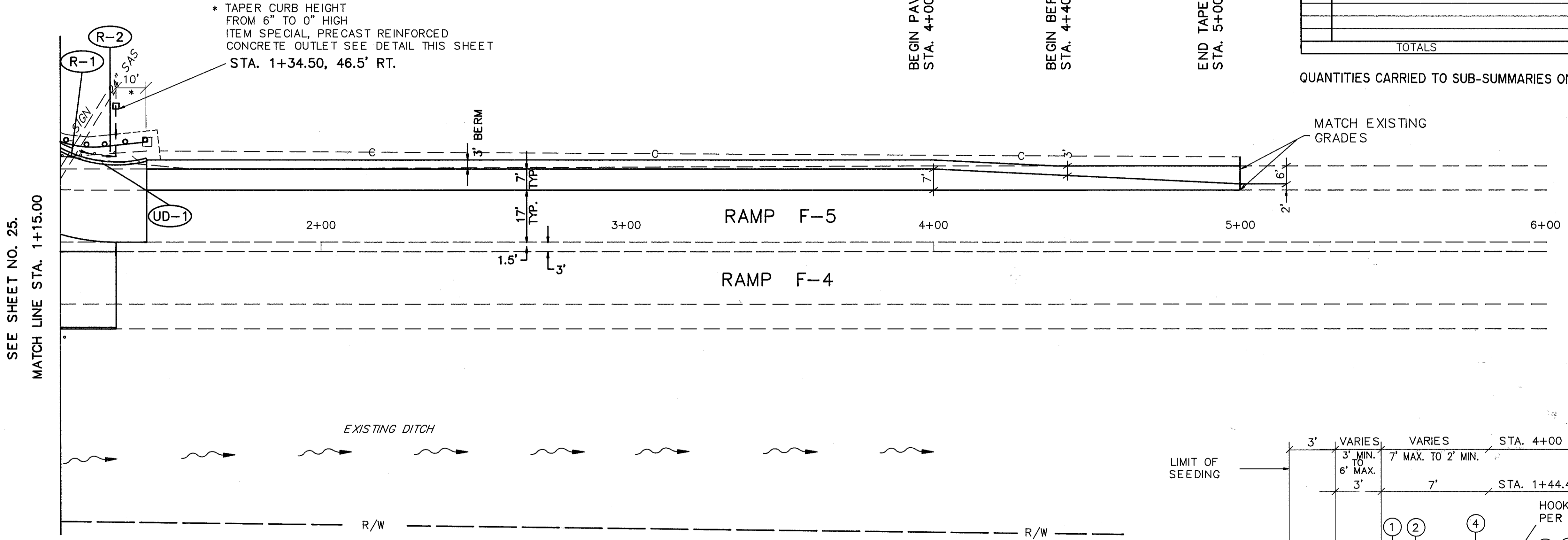


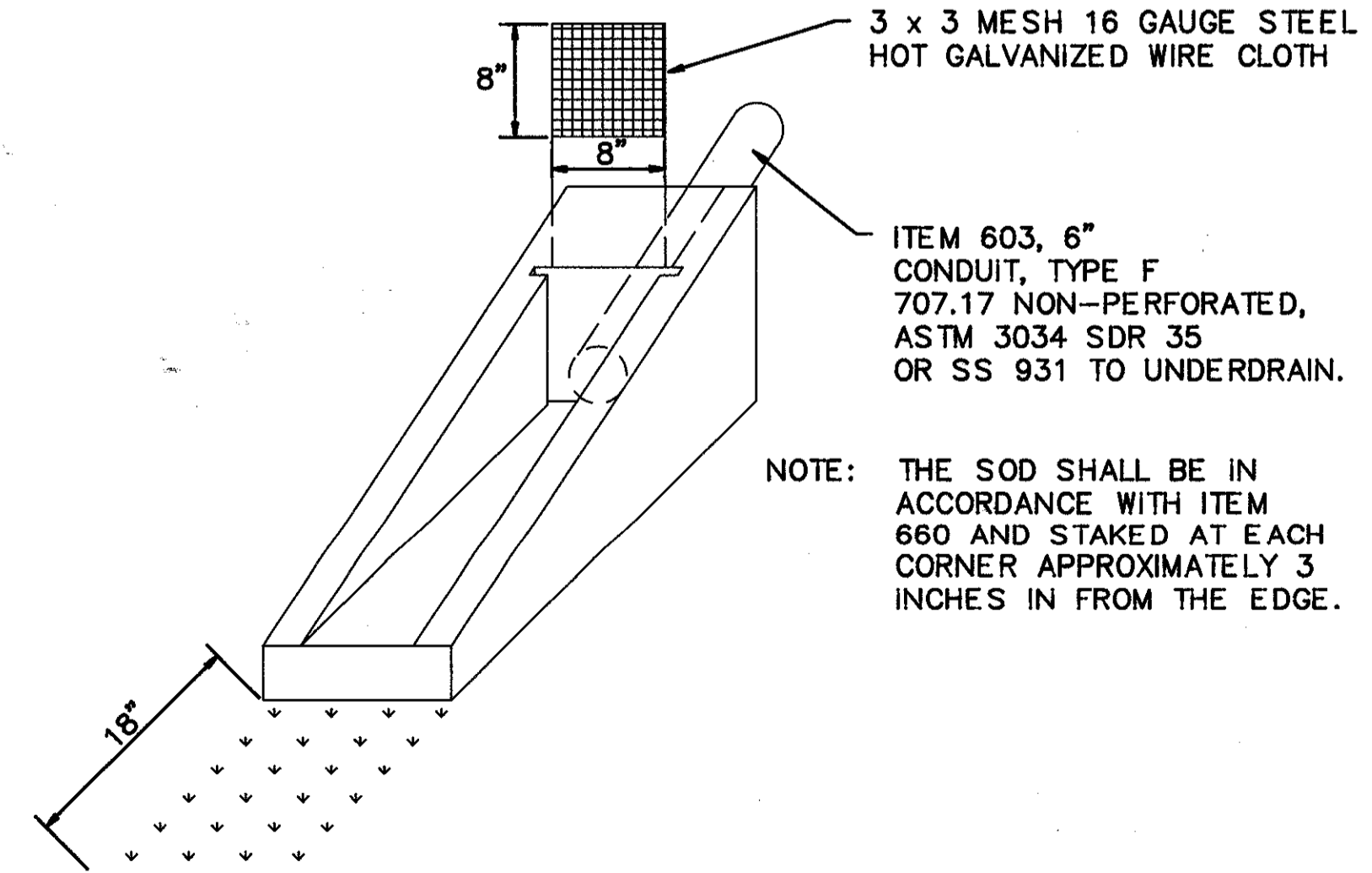
END WORK
STA. 5+00.00

ROADWAY		202	202	606	606
REF.	LOCATIONS	LF	EA	LF	EA
R-1	STA. 1+15, 30'LT TO STA. 1+43, 33'LT	4	1		
R-2	STA. 1+15, 35'LT TO STA. 1+43, 33'LT			4	1
TOTALS		4	1	4	1

QUANTITIES CARRIED TO SUB-SUMMARIES ON SHEET 20.



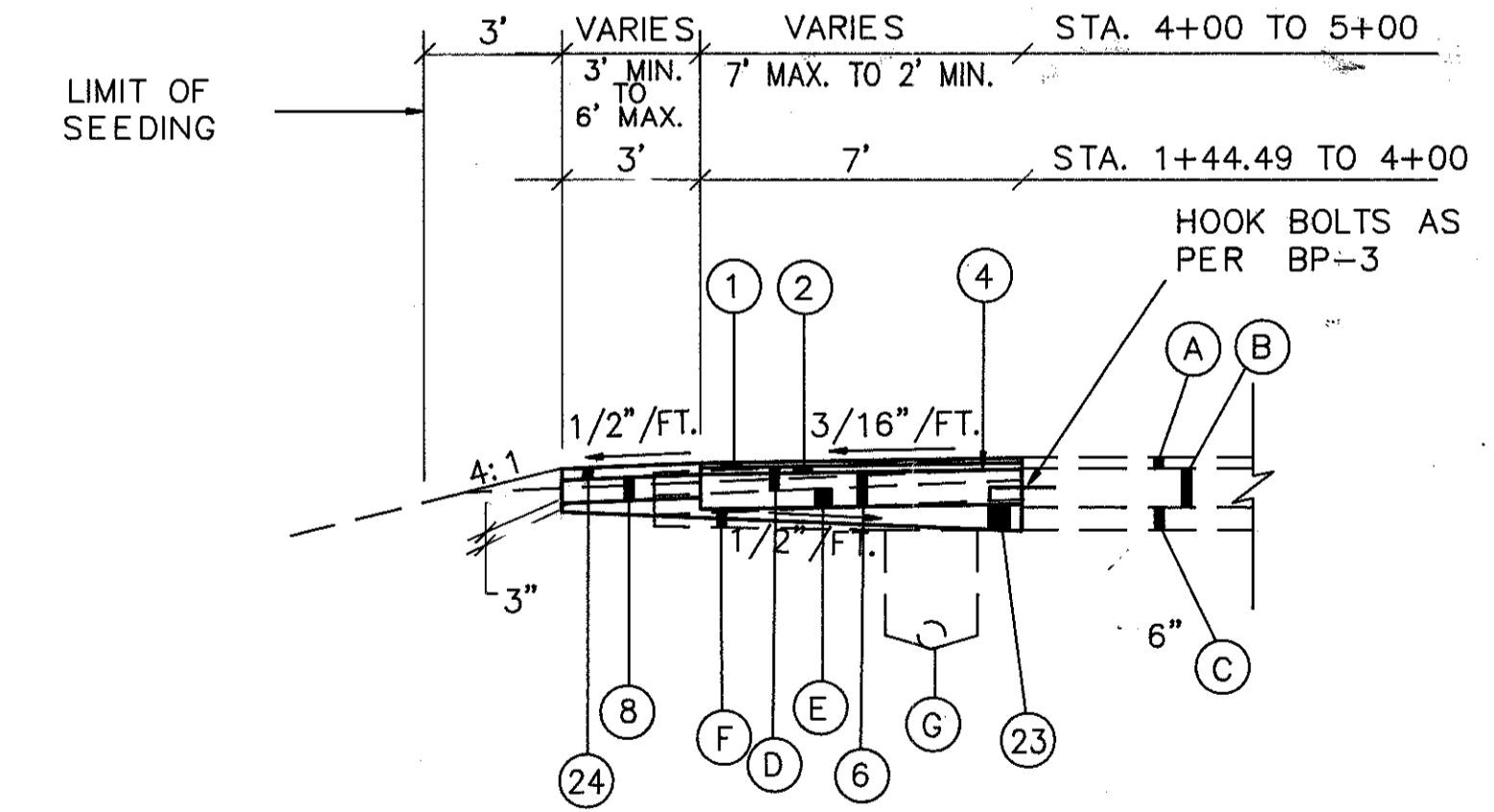
ITEM SPECIAL - PRECAST REINFORCED CONCRETE OUTLET
THE CONCRETE OUTLET SHALL MEET THE REQUIREMENTS OF ITEM 604 IN THE CONSTRUCTION & MATERIALS SPECIFICATIONS. PAYMENT SHALL BE MADE ON EACH BASIS. PAYMENT SHALL INCLUDE THE COST OF THE SOD & WIRE CLOTH.



NOTE: THE SOD SHALL BE IN ACCORDANCE WITH ITEM 660 AND STAKED AT EACH CORNER APPROXIMATELY 3 INCHES IN FROM THE EDGE.

CALCULATIONS

EXCAVATION: STA. 1+44.49 TO STA. 5+00
355.51' X 14\"(AVG. THK.)/12 X 10' WIDE ÷ 27 = 153.6 CU. YDS.
EMBANKMENT: STA. 1+44.49 TO STA. 5+00
355.51' X 2-3/8\"(AVG. THK.)/12 X 2' WIDE ÷ 27 = 5.2 CU. YDS.
SEEDING & MULCHING: STA. 1+44.49 TO STA. 5+00
355.51' X 3' WIDE ÷ 9 = 118.5 SQ. YDS.



- ① ITEM 404 - 1 1/4\" ASPHALT CONCRETE, AC-20
- ② ITEM 402 - 1 3/4\" ASPHALT CONCRETE, AC-20
- ④ ITEM 407 - TACK COAT
- ⑥ ITEM 305 - 9\" CONCRETE BASE
- ⑧ ITEM 304 - 6\" AGGREGATE BASE, AS PER PLAN
- ⑬ ITEM 310 - SUBBASE, TYPE II, AS PER PLAN (5\" AVG. THICKNESS)
- ⑭ ITEM 301 - 3\" BITUMINOUS AGGREGATE BASE FOR SHOULDERS
- Ⓐ 3\" ASPHALT
- Ⓑ 10\" REINFORCED CONCRETE
- Ⓒ 6\" AGGREGATE BASE
- Ⓓ 6\" ASPHALT
- Ⓔ 5\" AGGREGATE BASE
- Ⓕ AGGREGATE BASE (VARIABLE)
- Ⓖ 6\" UNDERDRAIN