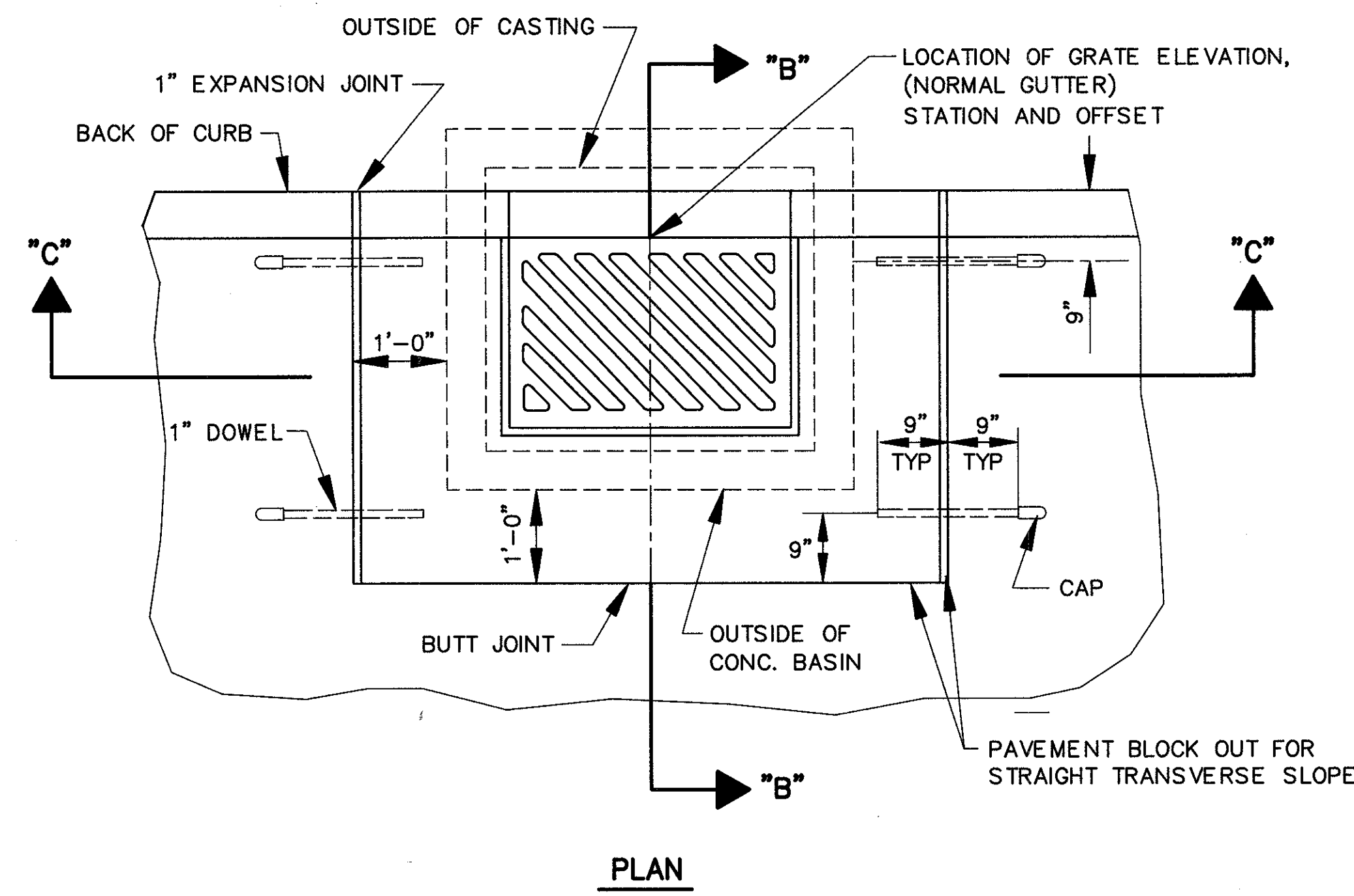
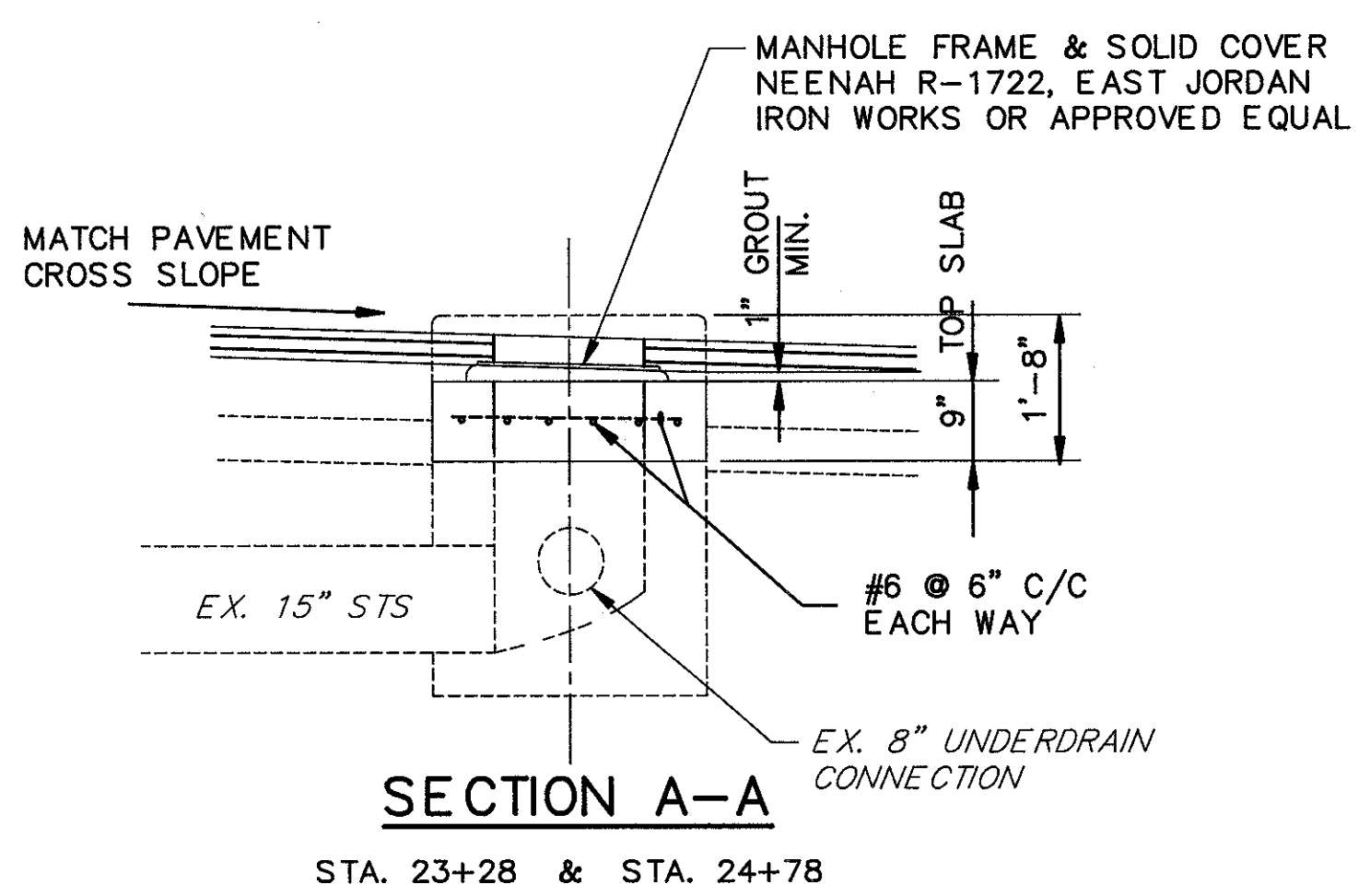
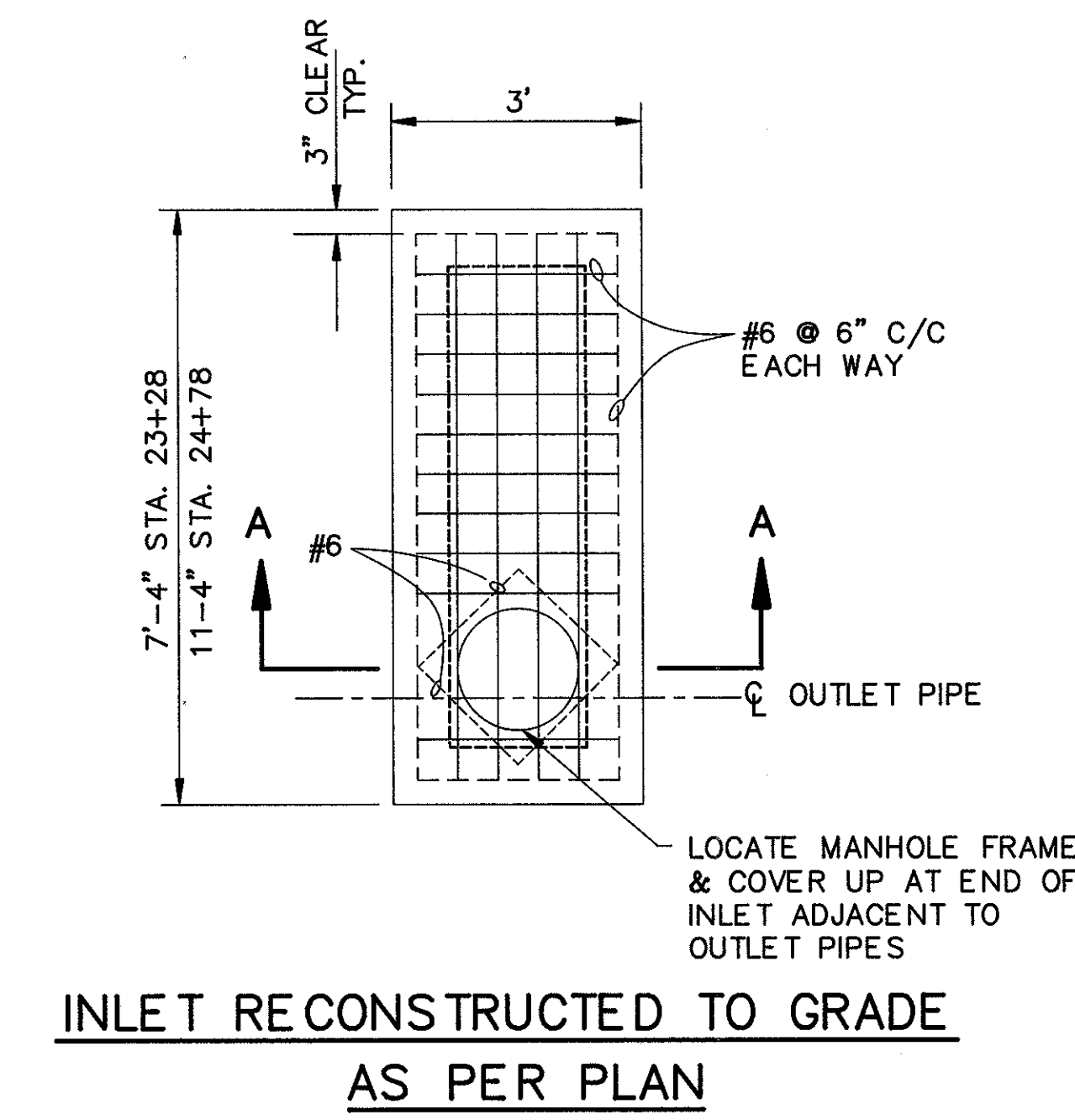


STORM SEWER DETAILS



CATCH BASIN, NO. 3A, AS PER PLAN
SCALE: 3/4" = 1'-0"

