

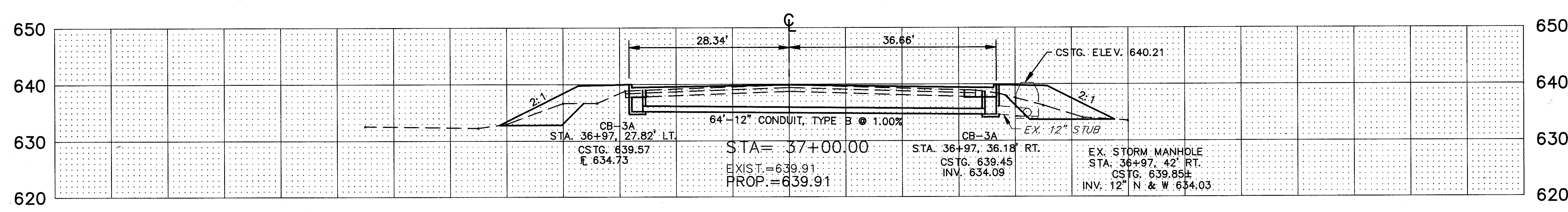
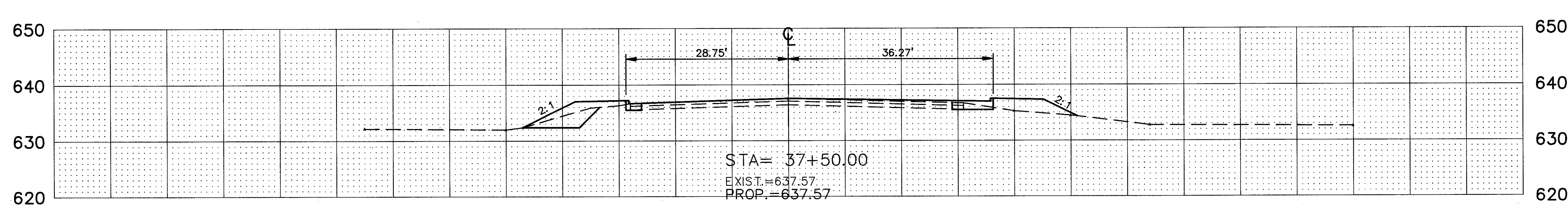
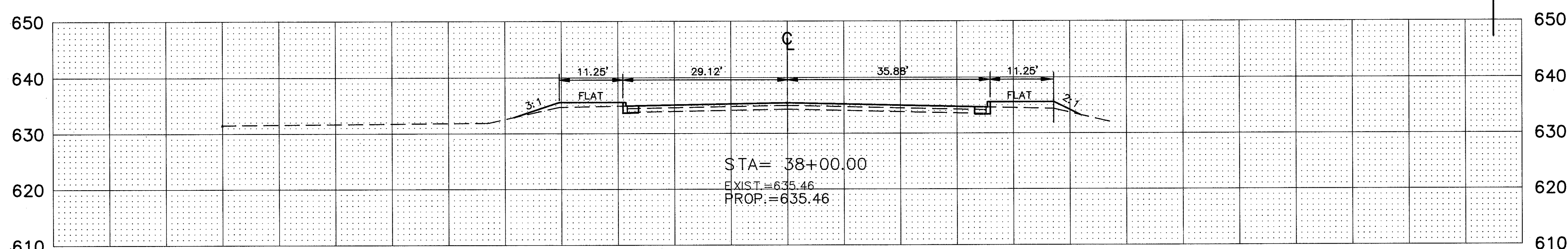
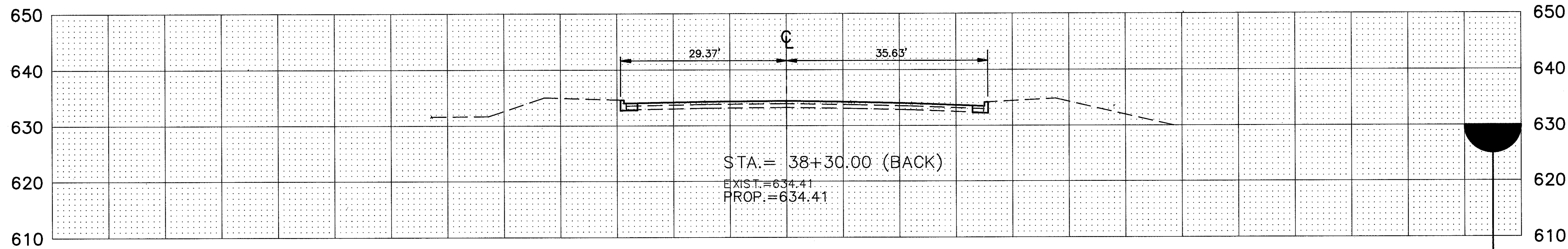
-1+30 -1+20 -1+10 -1+00 -0+90 -0+80 -0+70 -0+60 -0+50 -0+40 -0+30 -0+20 -0+10 0+00 0+10 0+20 0+30 0+40 0+50 0+60 0+70 0+80 0+90 1+00 1+10

CALC. JAS
 BY
 DATE 10-7-71
 CHKD. SM
 BY
 DATE 10-7-71

LAK - 306 - 6.82

OHIO
 FHWA
 REGION

37
 92



-1+30 -1+20 -1+10 -1+00 -0+90 -0+80 -0+70 -0+60 -0+50 -0+40 -0+30 -0+20 -0+10 0+00 0+10 0+20 0+30 0+40 0+50 0+60 0+70 0+80 0+90 1+00 1+10 1+20 1+30

| END AREA | | VOLUME | | SEEDING | |
|----------|-------|--------|------|-----------|----------|
| CUT | FILL | CUT | FILL | END WIDTH | SQ. YDS. |
| 10.0 | 0 | | | 14.0 | |
| | | 10.0 | 19.0 | | 83.0 |
| | | | 35.0 | 108.0 | 81.0 |
| | | 30.0 | 83.0 | | 13.0 |
| | | | 82.0 | 207.0 | 103.0 |
| 58.0 | 140.0 | | | | 24.0 |

CROSS SECTIONS STA. 37+00 TO STA. 38+30

LAK - 306 - 6.82