

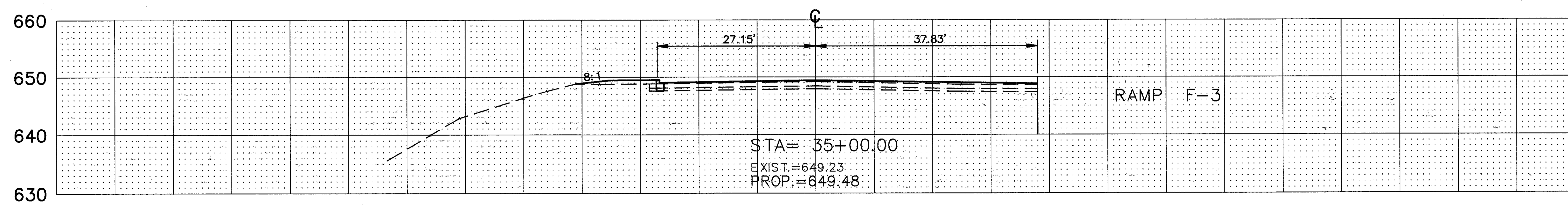
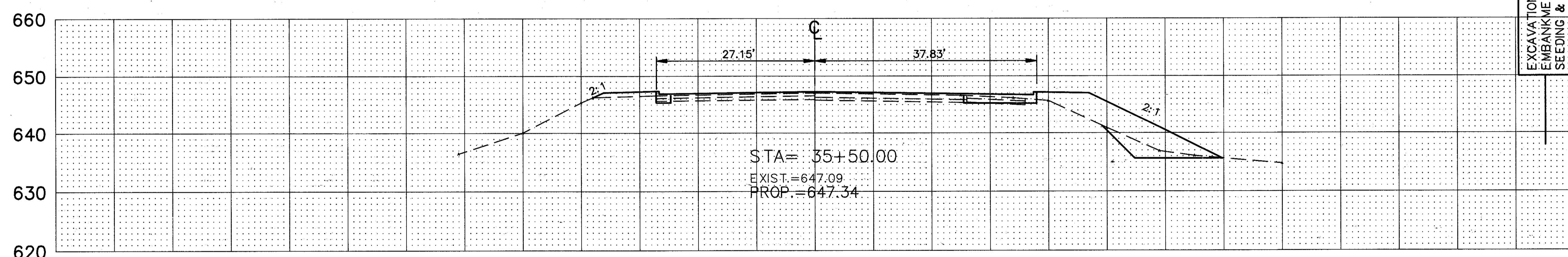
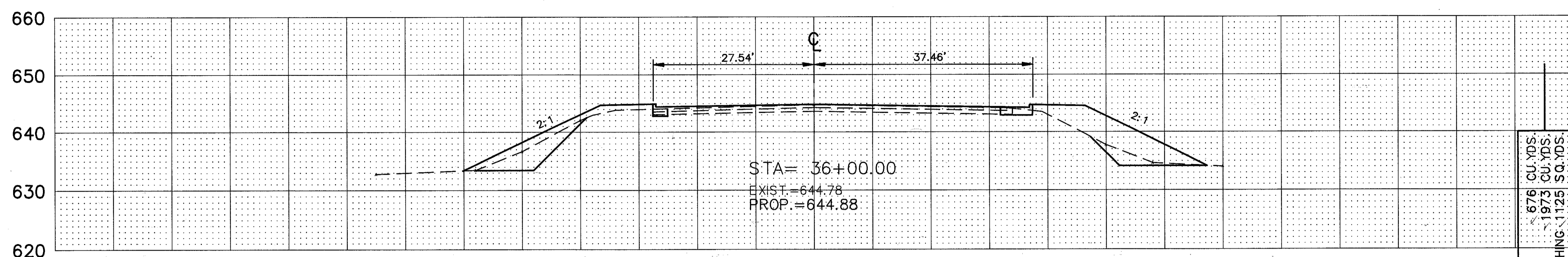
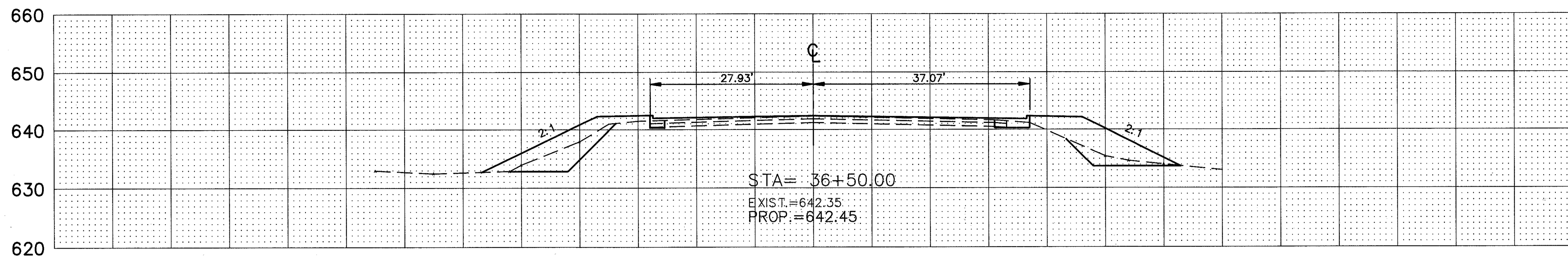
-1+30 -1+20 -1+10 -1+00 -0+90 -0+80 -0+70 -0+60 -0+50 -0+40 -0+30 -0+20 -0+10 0+00 0+10 0+20 0+30 0+40 0+50 0+60 0+70 0+80 0+90 1+00 1+10

CALC. BY JAG
DATE 10-7-91
CHKD. BY JAG
DATE 10-7-91

LAK - 306 - 6.82

OHIO
FHWA
REGION

36
92



-1+30 -1+20 -1+10 -1+00 -0+90 -0+80 -0+70 -0+60 -0+50 -0+40 -0+30 -0+20 -0+10 0+00 0+10 0+20 0+30 0+40 0+50 0+60 0+70 0+80 0+90 1+00 1+10 1+20 1+30

CROSS SECTIONS STA. 35+00 TO STA. 36+50

END	AREA		VOLUME		SEEDING	
	CUT	FILL	CUT	FILL	END WIDTH	SQ. YDS.
			119.0	379.0		164.0
70.0	269.0				35.0	
		144.0	483.0			214.0
85.0	253.0				42.0	
		111.0	264.0			181.0
35.0	32.0				23.0	
		44.0	35.0			64.0
12.0	6.0				0.0	

EXCAVATION
EMBANKMENT
SEEDING & MULCHING

676 CU. YDS.
1973 CU. YDS.
1125 SQ. YDS.

LAK - 306 - 6.82