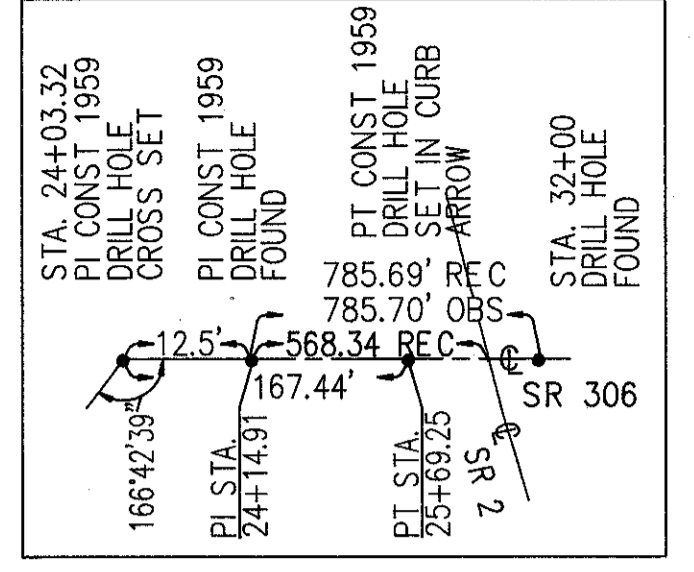




PAVEMENT REPLACEMENT
 * SEE TRENCH DETAIL THIS SHEET

PAVEMENT PLANING
 PORTLAND CEMENT CONCRETE

BENCHMARK:
 CROSS ON BRIDGE
 ELEV. 658.35
 STA. 27+35, 32' LT.

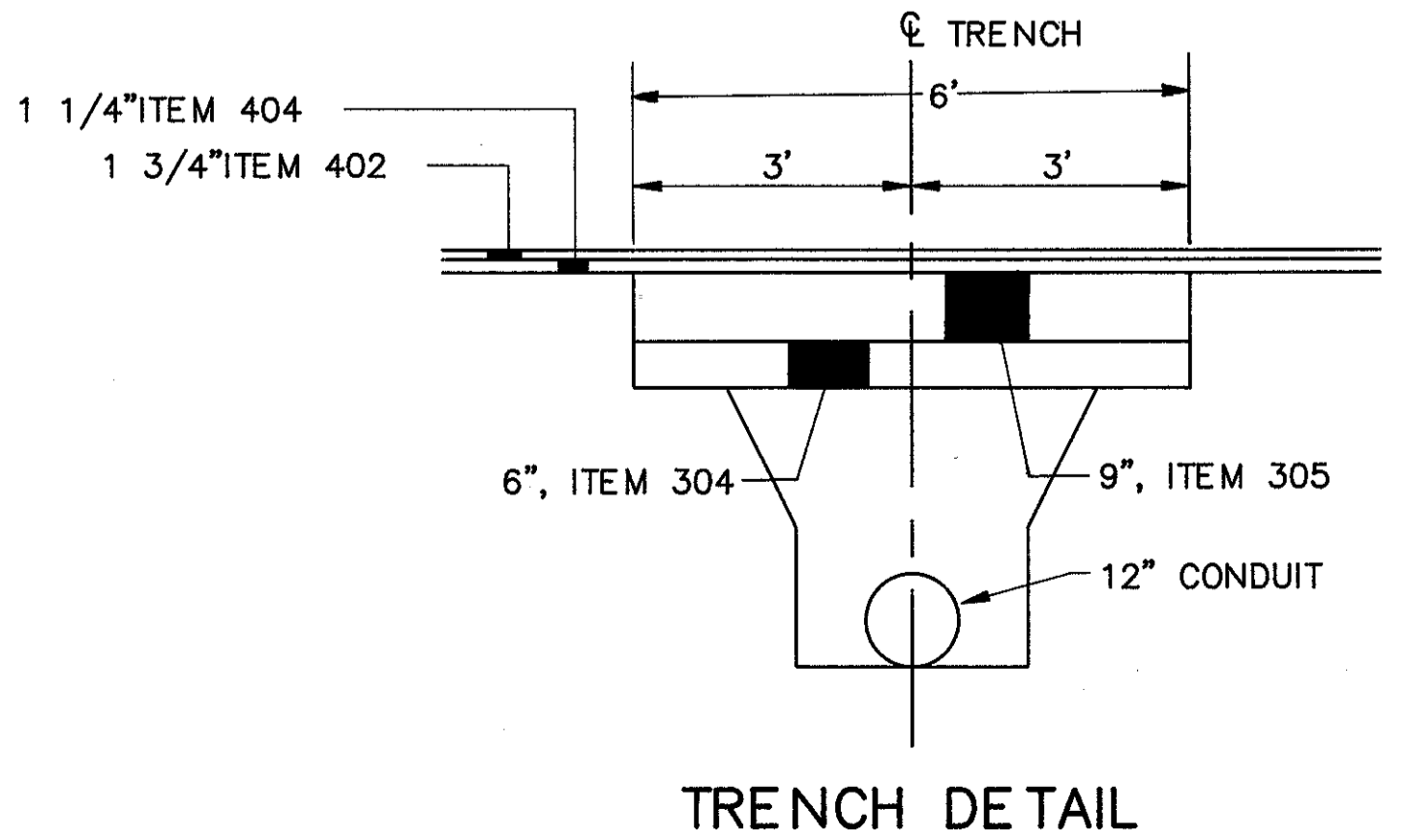
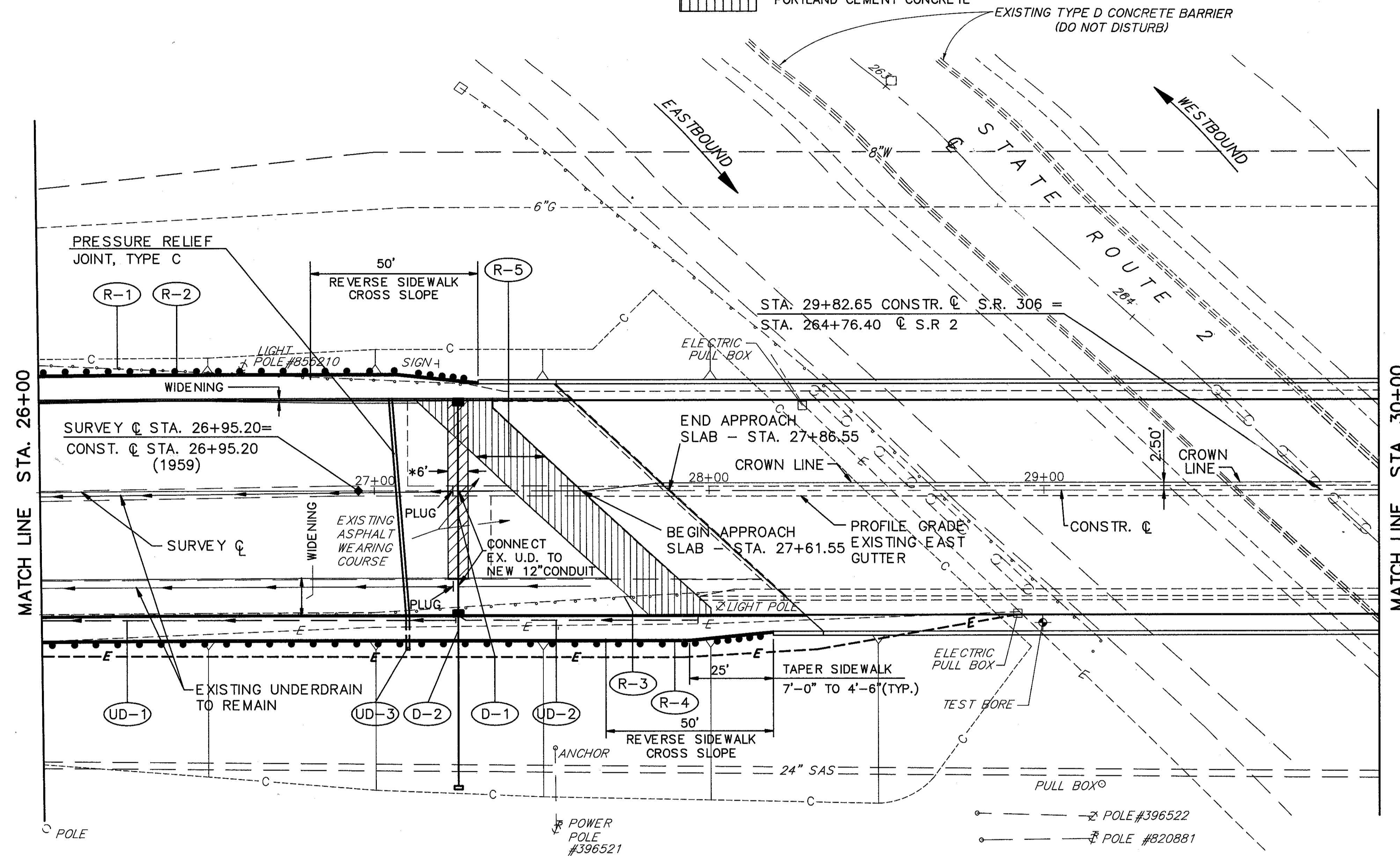


FOR TYPICAL SECTIONS SEE SHEETS 3 & 5
 FOR CROSS SECTIONS SEE SHEETS 32 & 33
 FOR PAVEMENT REMOVAL SEE SHEET 40
 FOR STORM SEWER DETAILS SEE SHEET 38
 FOR STORM SEWER PROFILE SEE SHEET 32
 FOR LIGHTING SEE SHEET 45

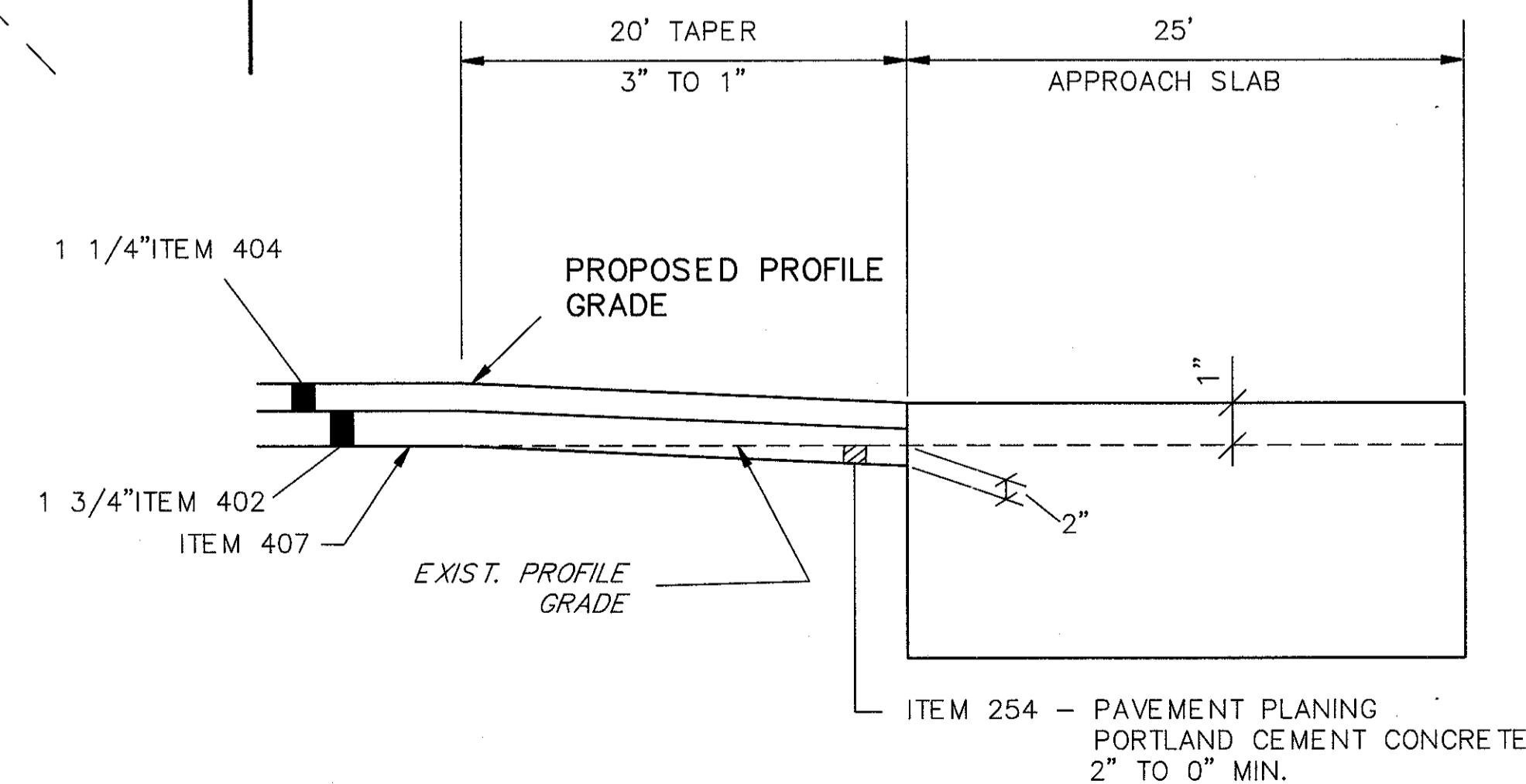
ROADWAY*		202	202	606	606	254	606
REF.	LOCATIONS	EA	LF	LF	EA	S.Y.	EA
R-1	STA. 26+00, 39'LT TO STA. 27+29, 32'LT	1	129				
R-2	STA. 26+00, 36'LT. TO STA. 27+33.13, 33'LT.			133			1
R-3	STA. 26+00, 36'RT TO STA. 28+02, 30'RT	1	202				
R-4	STA. 26+00, 46'RT. TO STA. 28+21.19, 43'RT.			221	1		
R-5	STA. 27+41.55 TO STA. 27+61.55					117.8	
TOTALS		2	331	354	1	117.8	1

DRAINAGE*		603	603	604	602
REF.	LOCATIONS	LF	LF	EA	C.Y.
D-1	STA. 27+25, 27'LT TO STA. 27+25, 37'RT	64		2	
D-2	STA. 27+25, 37'RT TO STA. 27+25, 93'RT	55		21	
TOTALS		64	55	2	.21

*QUANTITIES CARRIED TO SUB-SUMMARIES ON SHEET 20.



STA. 27+25
 STA. 32+25



BUTT JOINT DETAIL AT APPROACH SLAB

LAK - 306 - 6.82