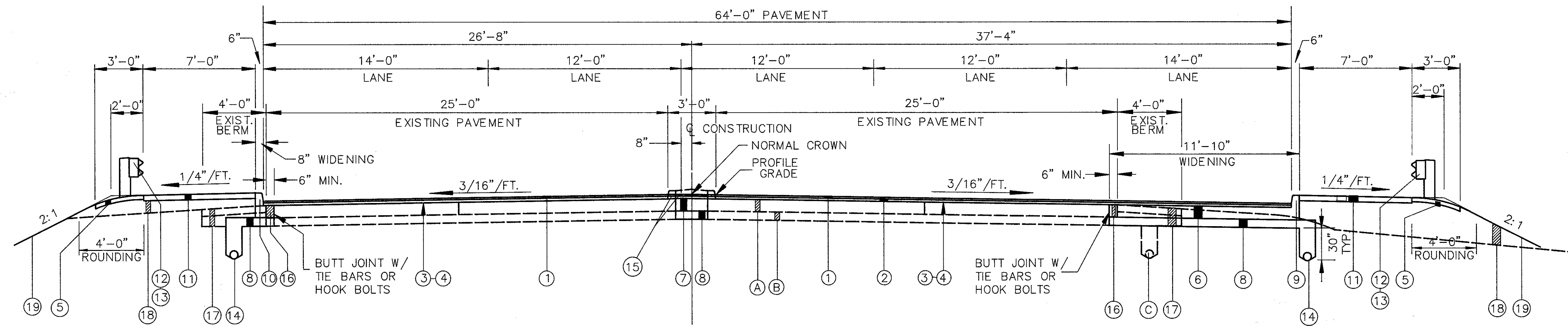
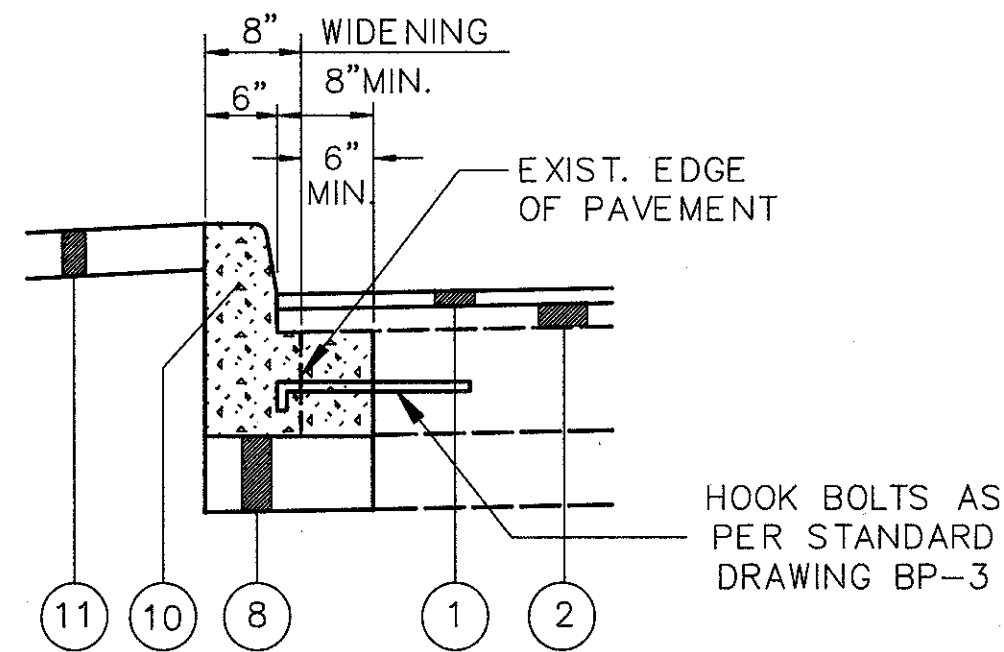


TYPICAL SECTIONS

TYPE 404

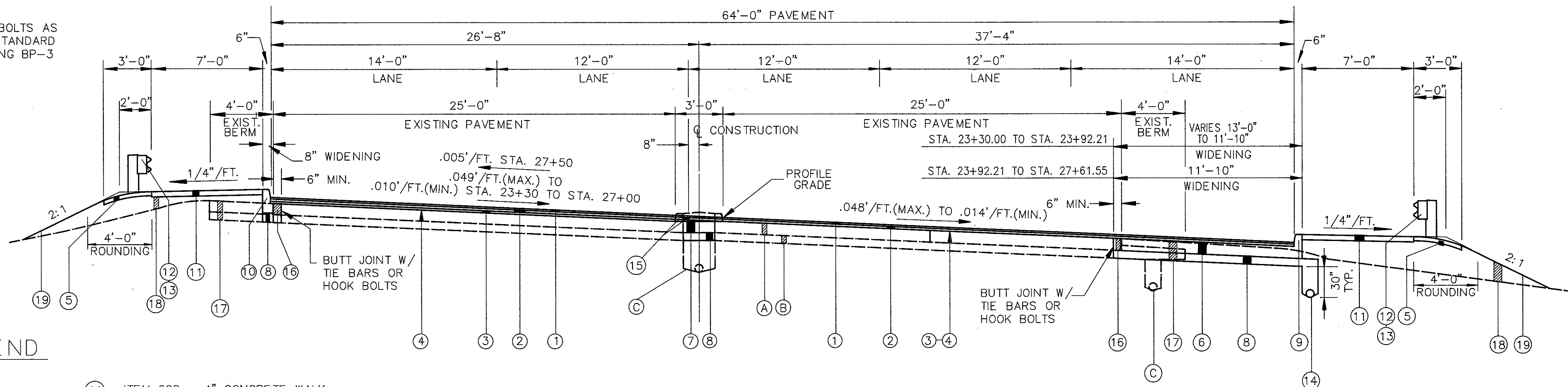


NORMAL SECTION
STA. 32+03.81 TO STA. 35+50.00 = 346.19 FT.



CURB, TYPE 2-B, AS PER PLAN DETAIL

NOTE: ALL OTHER DIMENSIONS AND NOTES ARE AS PER STANDARD DRAWING BP-7.



SUPERELEVATED SECTION

STA. 23+25.70 TO STA. 27+61.55 = 435.85 FT.

- | | |
|--|--|
| (1) ITEM 404 - 1 1/4" ASPHALT CONCRETE, AC-20 | (11) ITEM 608 - 4" CONCRETE WALK |
| (2) ITEM 402 - 1 3/4" ASPHALT CONCRETE, AC-20 | (12) ITEM 606 - GUARDRAIL, REBUILT TYPE 5 |
| (3) ITEM 403 - ASPHALT CONCRETE, AC-20 (3/4" AVG., 0" MIN.) | (13) ITEM 202 - GUARDRAIL REMOVED FOR RE-USE |
| (4) ITEM 407 - TACK COAT | (14) ITEM 605 - 6" SHALLOW PIPE UNDERDRAIN |
| (5) ITEM 404 - 3" ASPHALT CONCRETE, AC-20, UNDER GUARDRAIL | (15) ITEM 202 - CONCRETE MEDIAN REMOVED |
| (6) ITEM 305 - 9" CONCRETE BASE | (16) ITEM 202 - PAVEMENT REMOVED |
| (7) ITEM 301 - 9" BITUMINOUS AGGREGATE BASE, AC-20 | (17) ITEM 203 - EXCAVATION NOT INCLUDING EMBANKMENT CONSTRUCTION |
| (8) ITEM 304 - 6" AGGREGATE BASE, AS PER PLAN | (18) ITEM 203 - EMBANKMENT |
| (9) ITEM 609 - CURB, TYPE 2-B | (19) ITEM 659 - SEEDING & MULCHING |
| (10) ITEM 609 - CURB, TYPE 2-B, AS PER PLAN (SEE DETAIL, THIS SHEET) | (20) ITEM 609 - CURB, TYPE 6 |

- | |
|--|
| (21) ITEM 310 - 6" SUBBASE TYPE II, AS PER PLAN |
| (22) ITEM 254 - PAVEMENT PLANING, BITUMINOUS |
| (23) ITEM 310 - SUBBASE TYPE II, AS PER PLAN (5" AVG. THICKNESS) |
| (24) ITEM 301 - 3" BITUMINOUS AGGREGATE BASE FOR SHOULDERS |
| (25) ITEM 611 - REINFORCED CONCRETE APPROACH SLAB (T=15") |
| (26) ITEM 609 - CURB, TYPE 2-A, AS PER PLAN |

LEGEND (EXISTING)

- | |
|-------------------------------------|
| (A) 9" REINFORCED CONCRETE PAVEMENT |
| (B) 6" SUBBASE |
| (C) UNDERDRAIN |
| (D) 6" EXISTING BITUMINOUS PAVEMENT |
| (E) 13" GRAVEL BASE |