

MICROFILMED
APR 24 1984

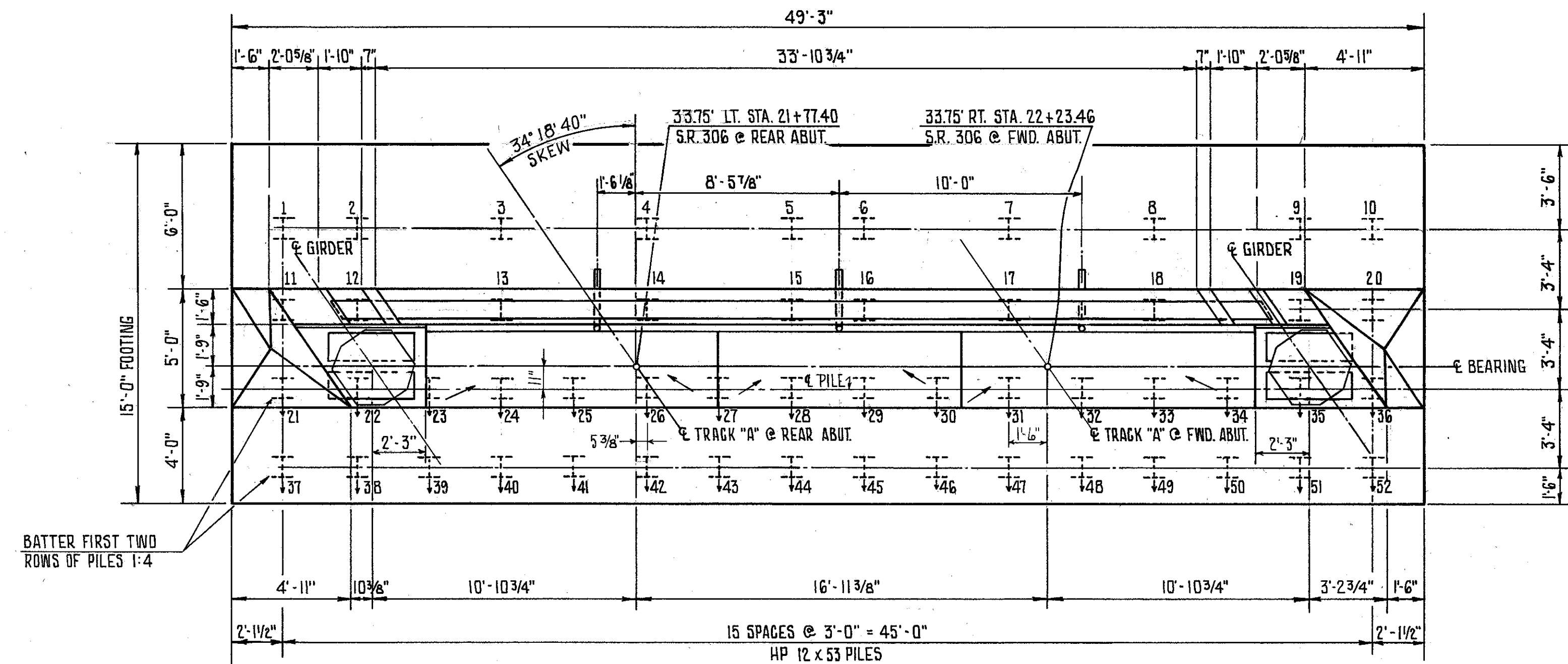
FORWARD ABUT.
REAR ABUT.

NOTE: SEE SHEET 21 OF 28 FOR
ADDITIONAL ABUTMENT SECTIONS

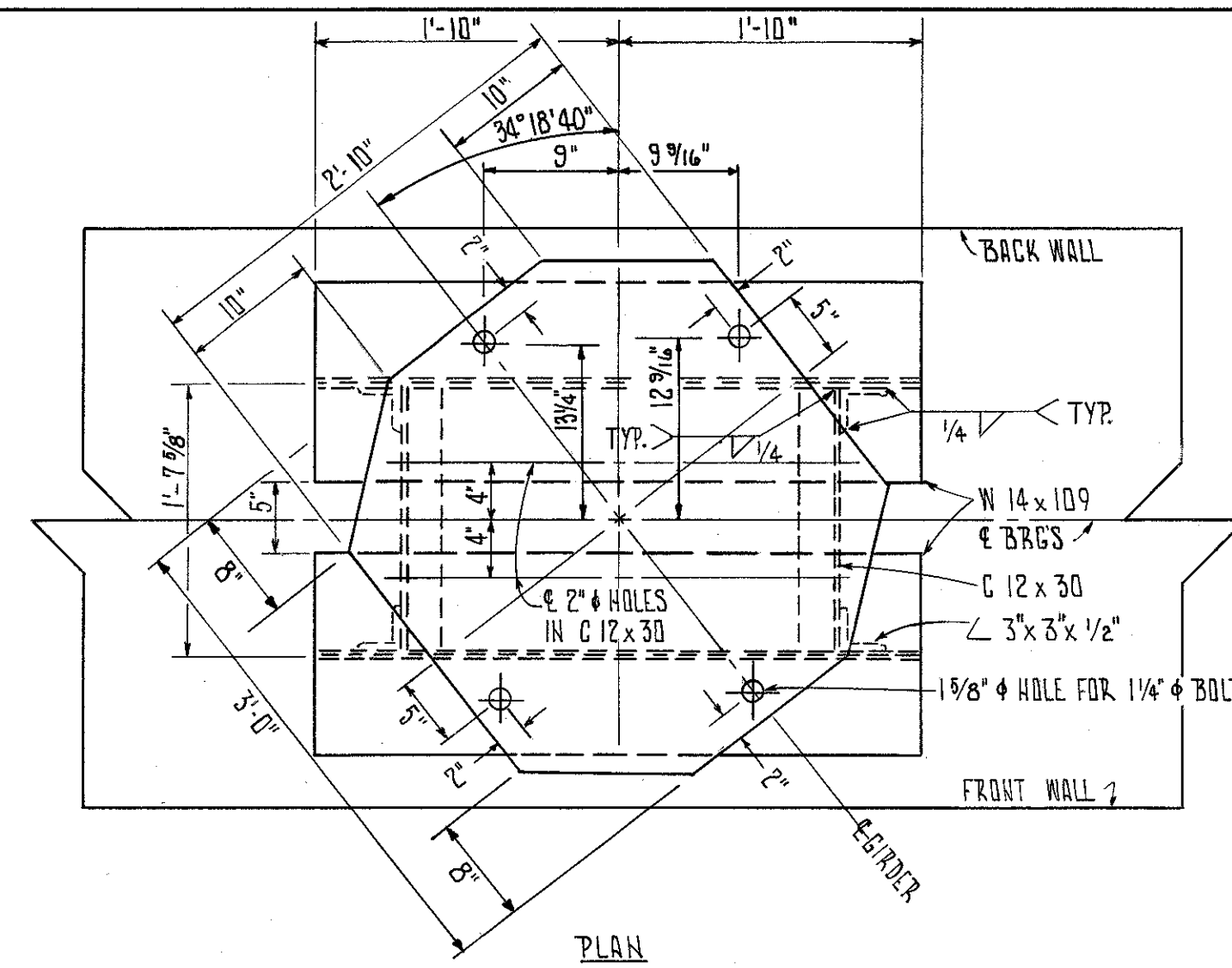
FHWA REGION	STATE	PROJECT
5	OHIO	

77
101

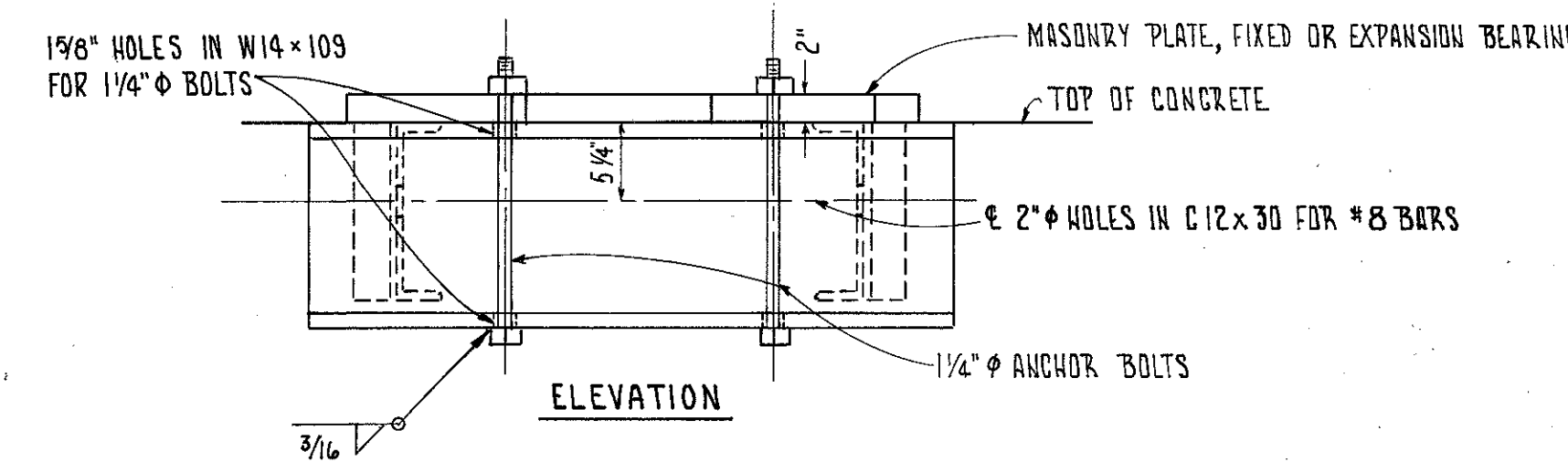
LAKE COUNTY
LAK 306-6.15



PLAN



SECTION B-B



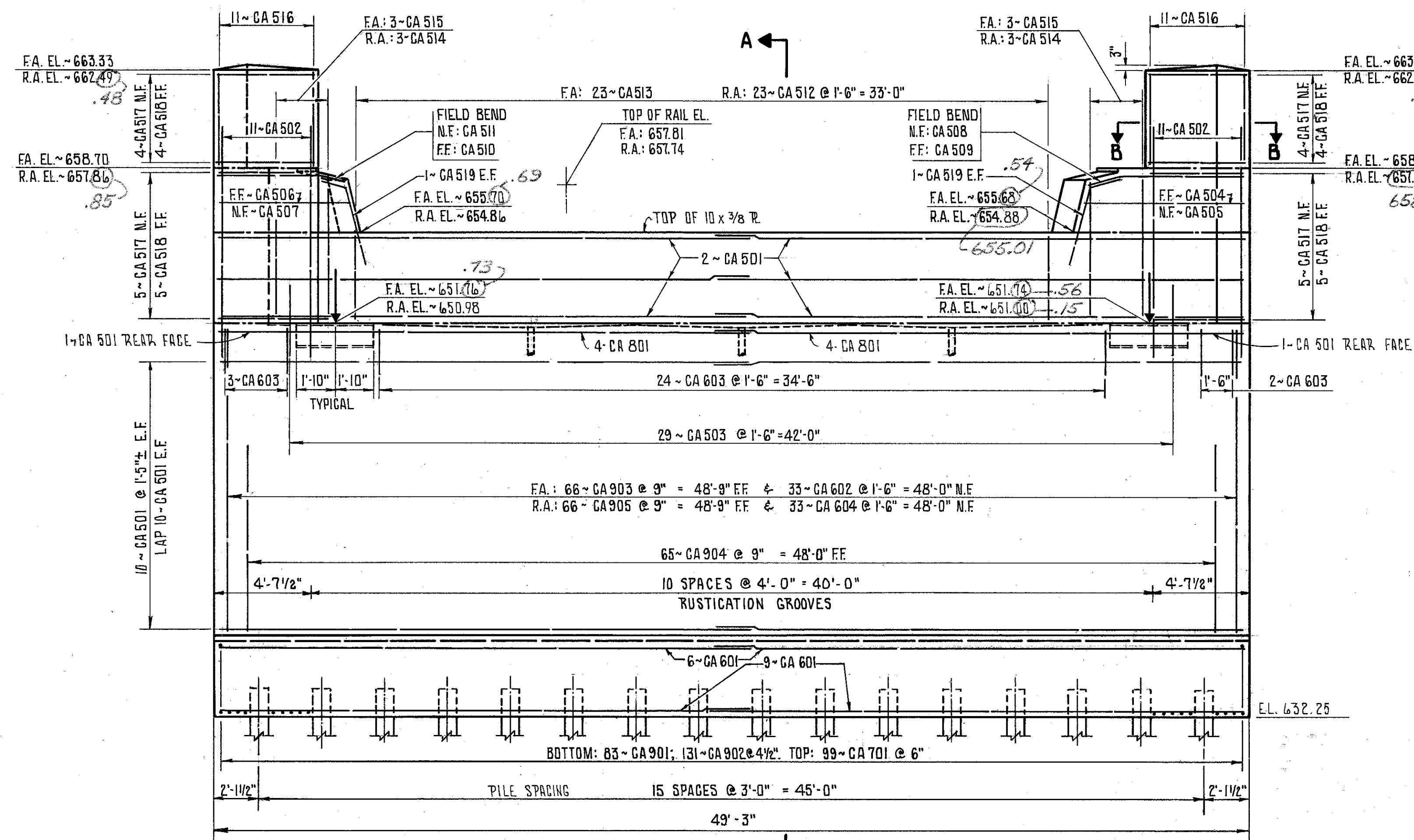
(INCLUDED WITH STRUCTURAL STEEL QUANTITY)

ABUTMENT BEARINGS DETAIL

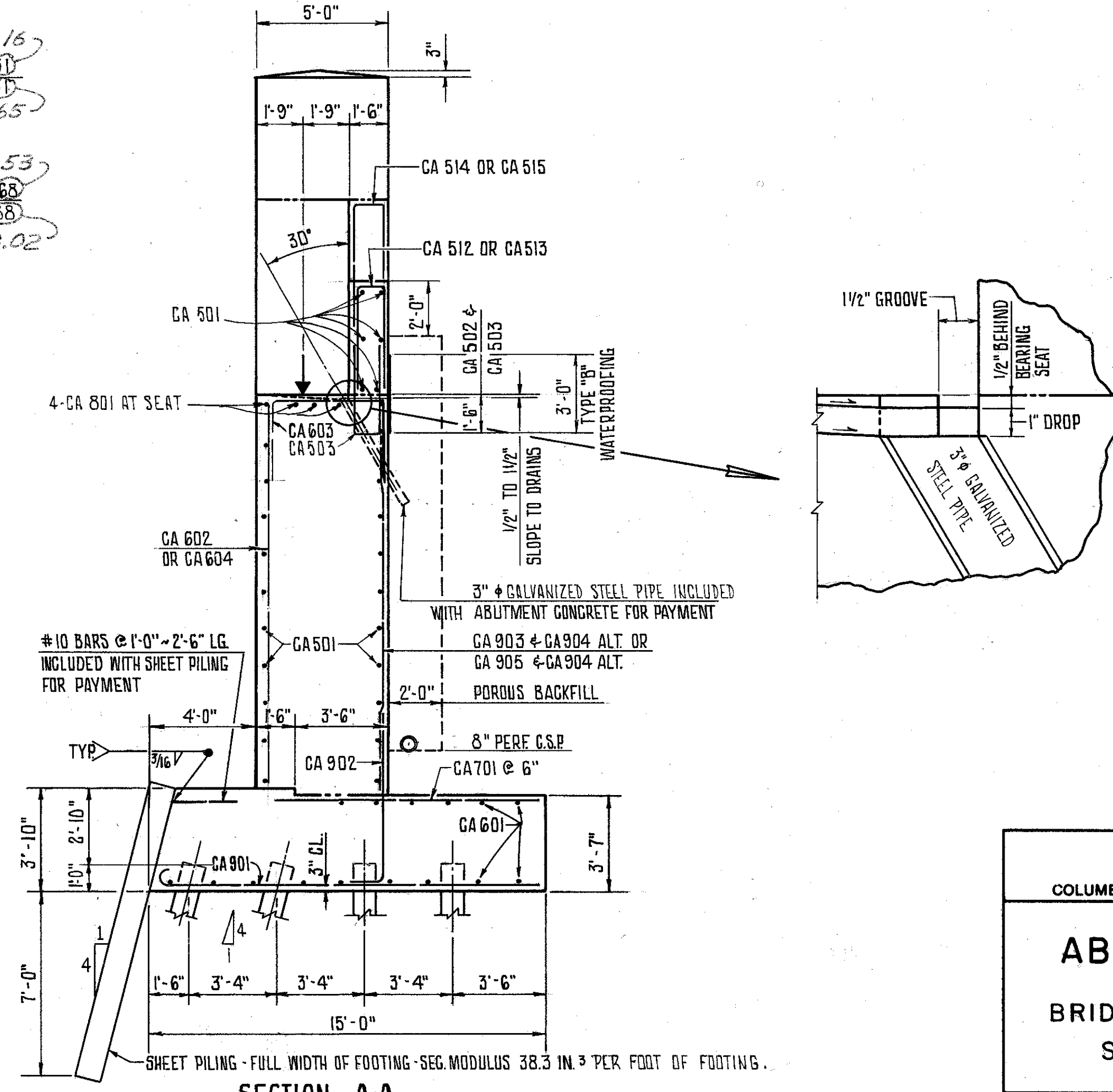
See sheet 21/28 for
complete bearing details

LEGEND

N.F. = NEAR FACE	BAR LAP
FF. = FAR FACE	#9 = 3'-3"
E.F. = EACH FACE	#8 = 3'-0"
F.A. = FORWARD ABUTMENT	#7 = 2'-2"
R.A. = REAR ABUTMENT	#6 = 2'-0"
	#5 = 1'-7"



ELEVATION



FRANKLIN CONSULTANTS INC. 17/28
COLUMBUS, OHIO
Consulting Engineers

ABUTMENT DETAILS
BRIDGE NO. LAK - 306 - 0638
S.R. 306 UNDER CONRAIL

DESIGNED	DRAWN	TRACED	CHECKED	REVIEWED	DATE	REVISED
HY	HY	GKS	SM	JF	1/22-77	7-10-81

BRUNING 44-132-30845-1