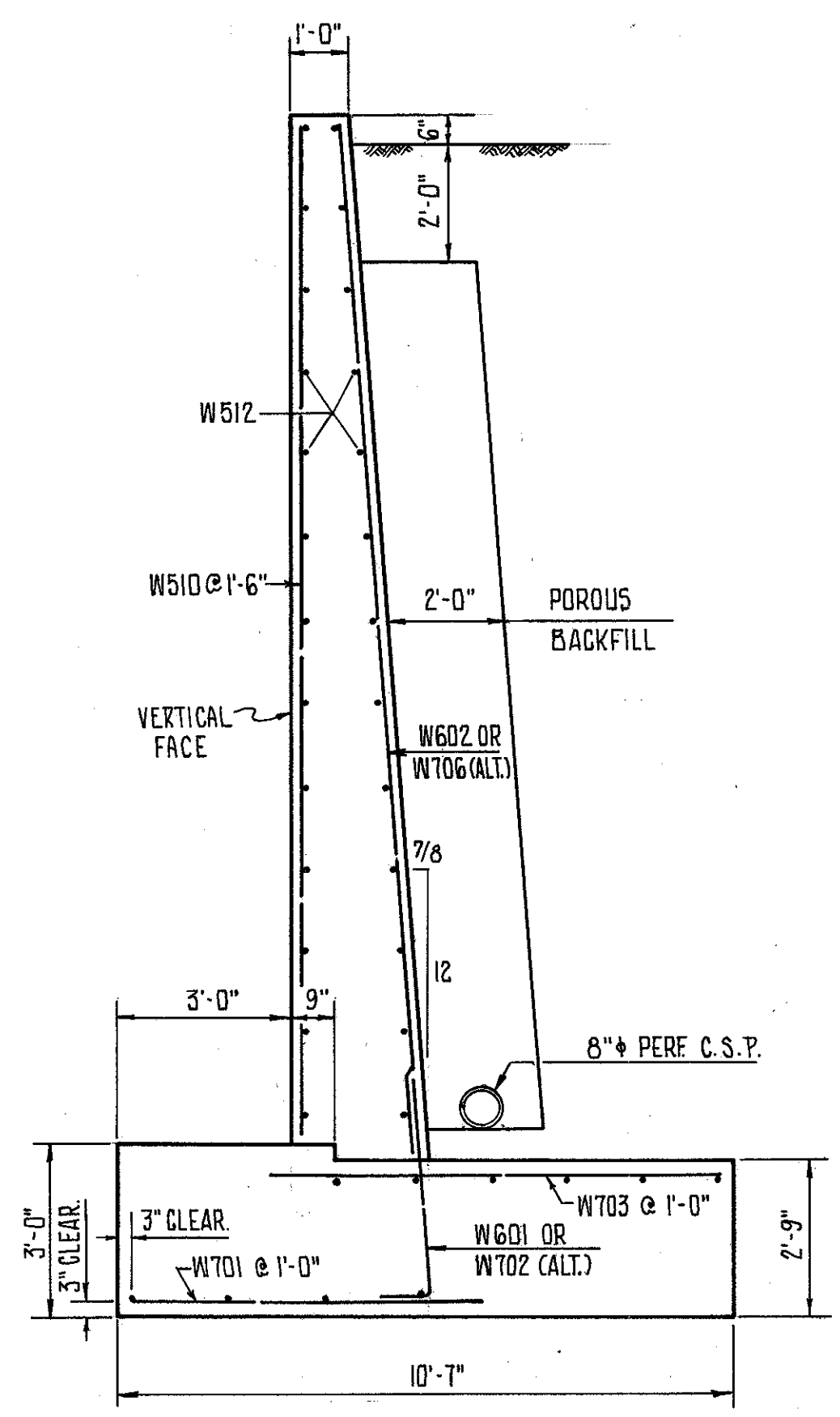
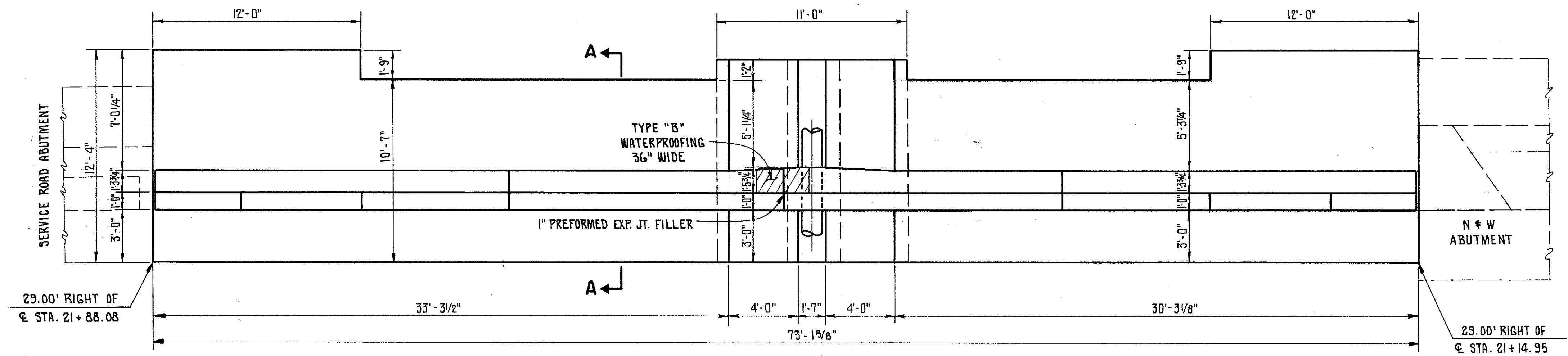


APR 24 1994

FHWA REGION	STATE	PROJECT
5	OHIO	

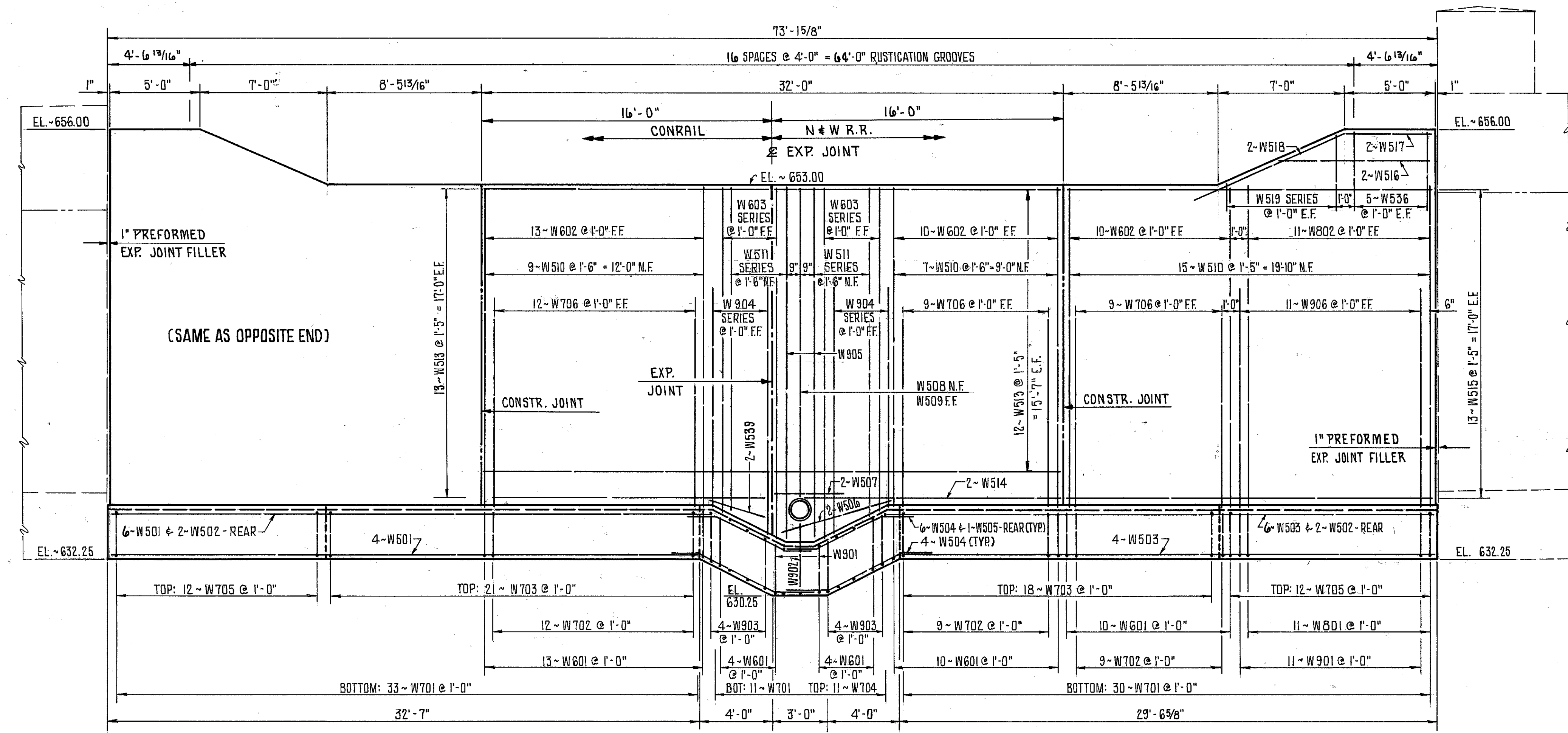
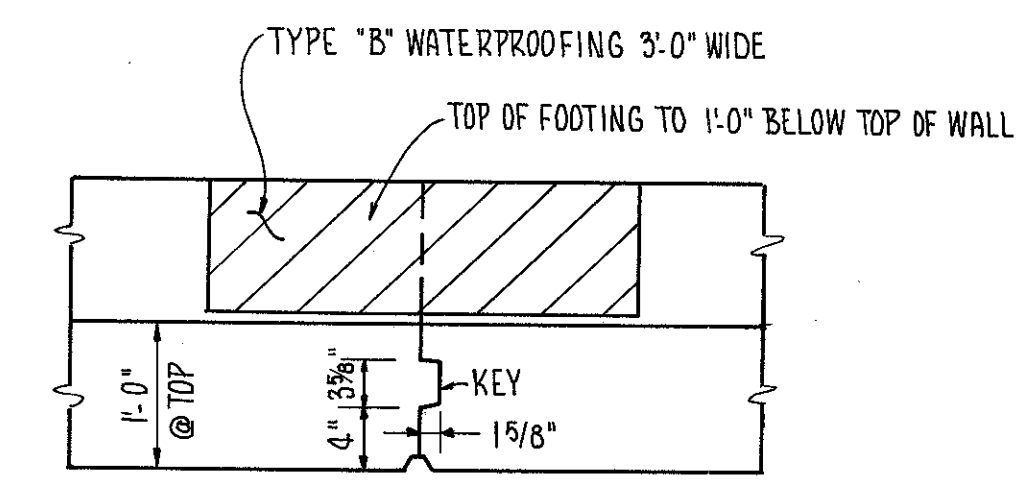
67
101

LAKE COUNTY
LAK 306-6.15



BAR LAP

W601	2'-10"
W702	3'-7"
W801	4'-9"
W901, W903	6'-0"



FRANKLIN CONSULTANTS INC. 7/28						
COLUMBUS, OHIO Consulting Engineers						
EAST RETAINING WALL						
BRIDGE NO. LAK - 306 - 0635						
S. R. 306 UNDER N & W RAILROAD						
DESIGNED	DRAWN	TRACED	CHECKED	REVIEWED	DATE	REVISED
SM	HM	GKS	HM	JF	10/22-79	

BRUNING 44-132-30845-1