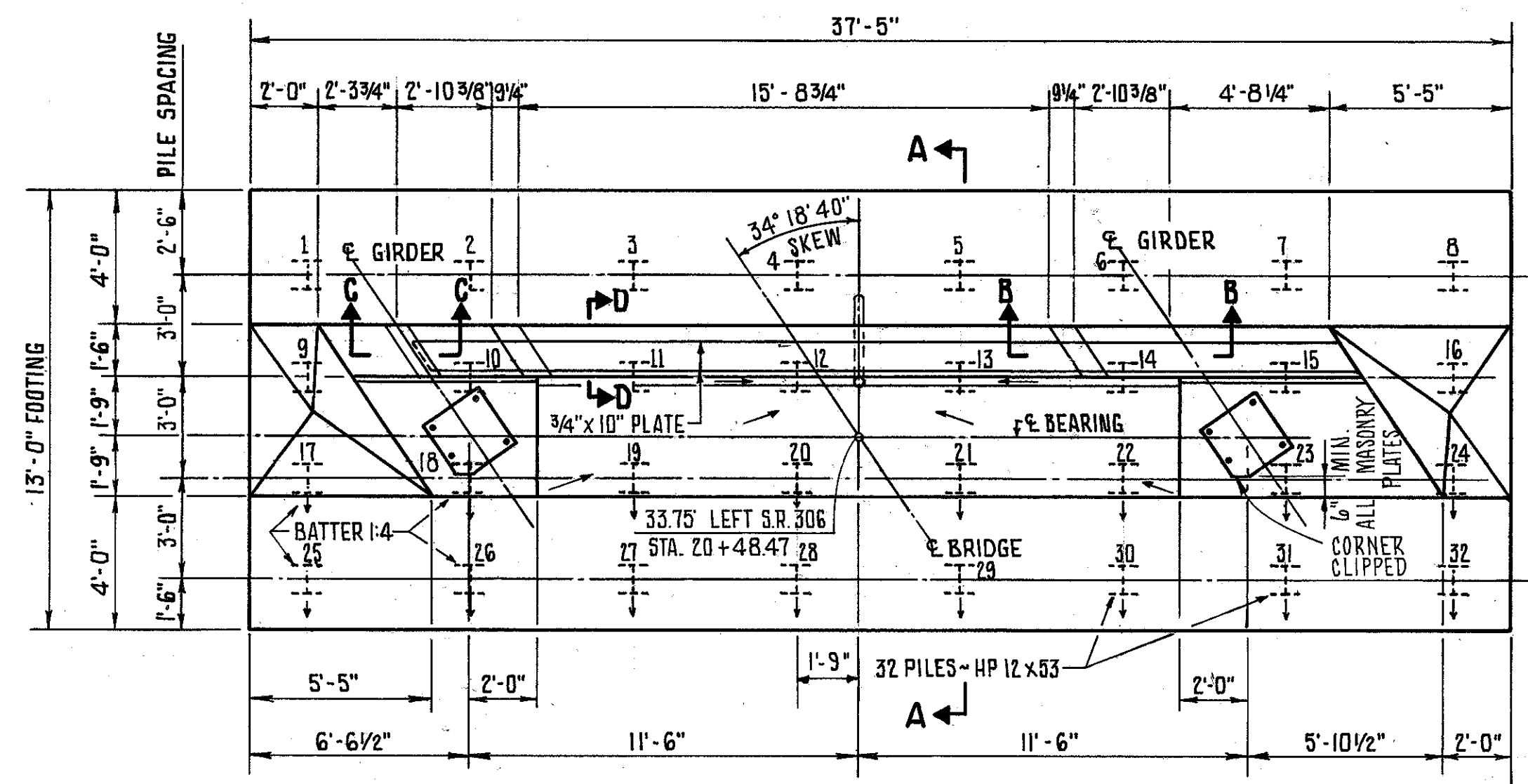


NOT REPRODUCED
APR 24 1964

FHWA REGION	STATE	PROJECT	
5	OHIO		

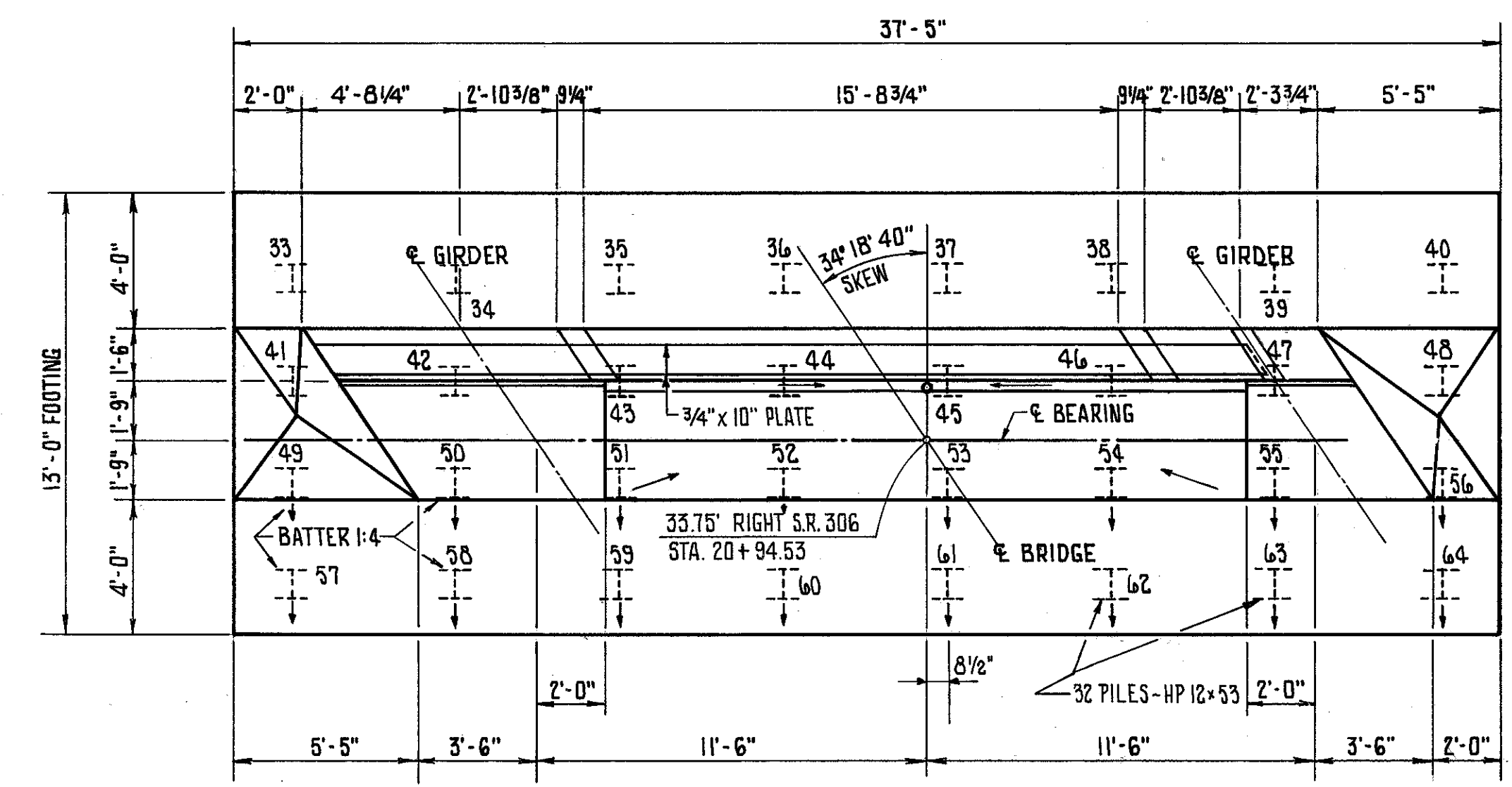
64
101

LAKE COUNTY
LAK 306-6.15



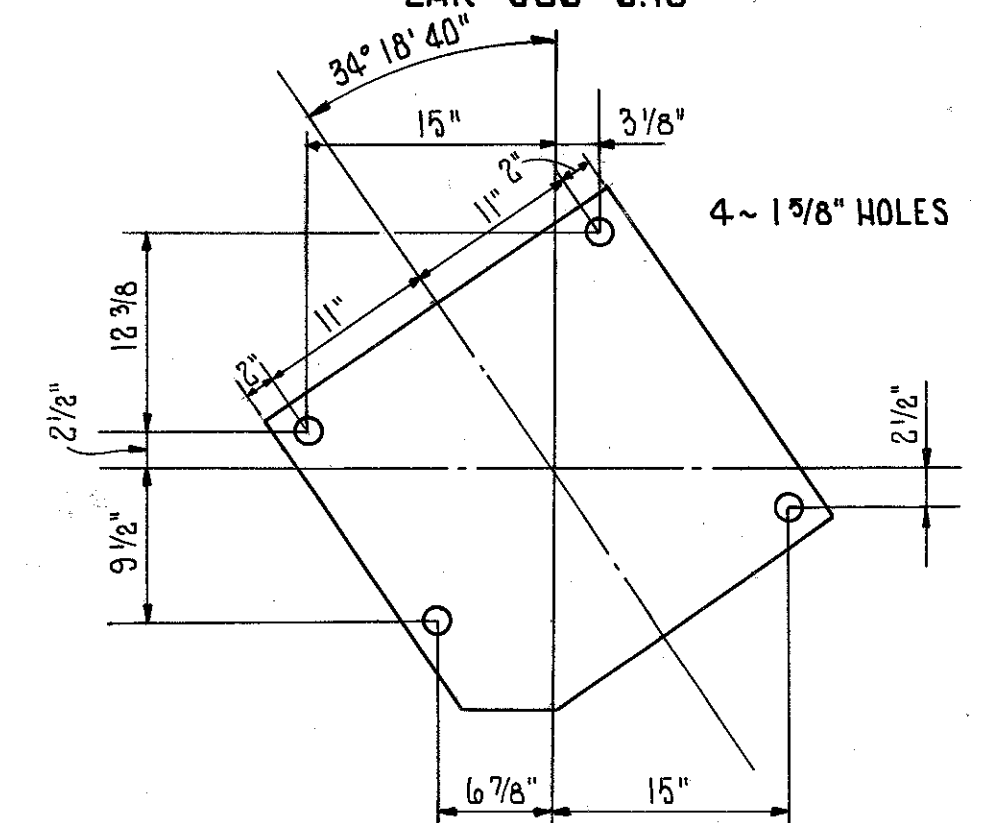
PLAN

NOTE: FIXED BEARINGS



PLAN

NOTE: EXPANSION BEARINGS

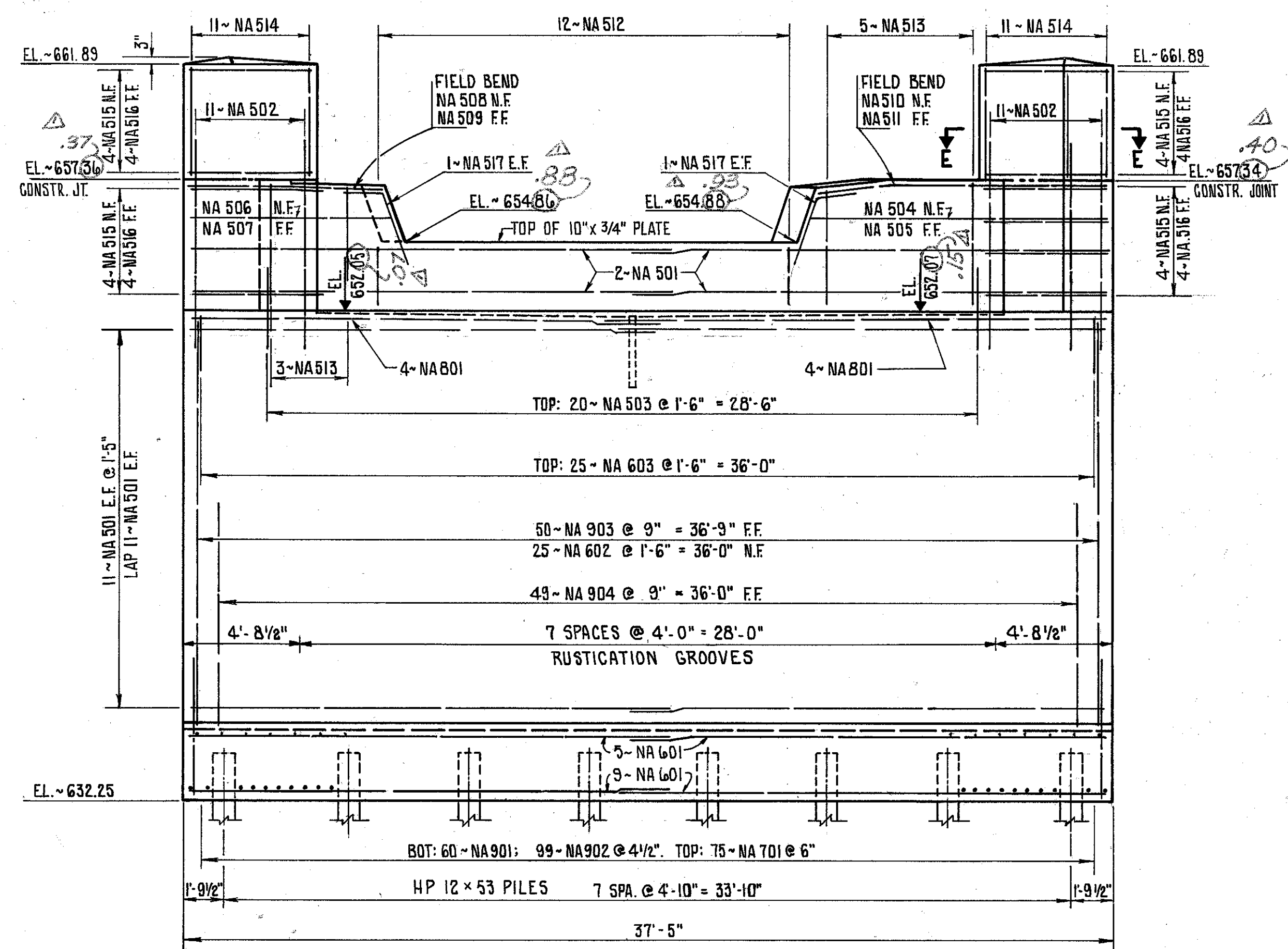


BOLT HOLE LOCATIONS

LEGEND

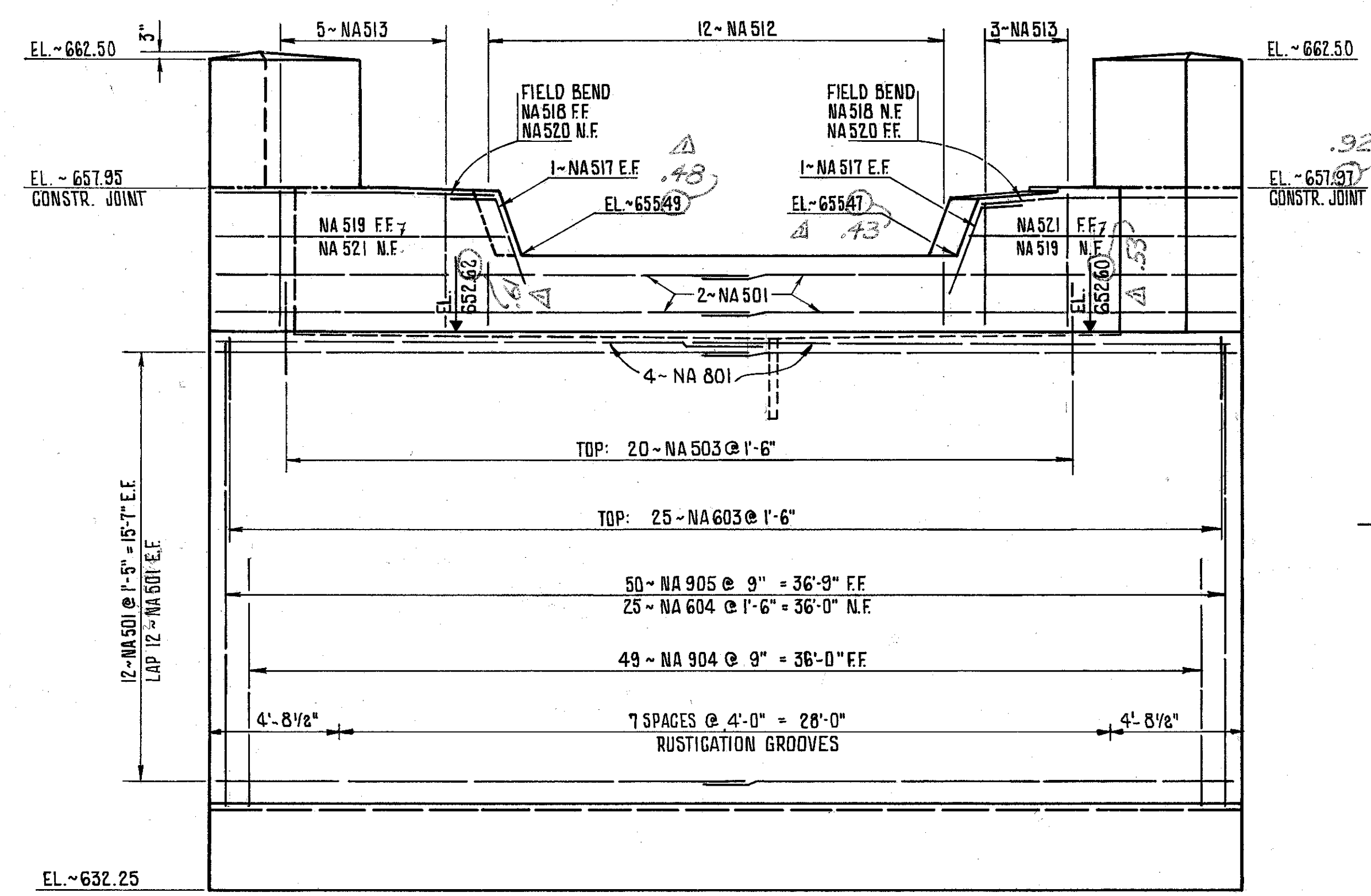
- N.F. = NEAR FACE
- FF. = FAR FACE
- E.F. = EACH FACE
- BAR LAP
- #9 = 3'-3"
- #7 = 2'-3"
- #6 = 2'-0"
- #5 = 1'-7"

NOTE:
FOR SECTIONS A-A THRU E-E SEE FOLLOWING SHEET 5 OF 28



ELEVATION

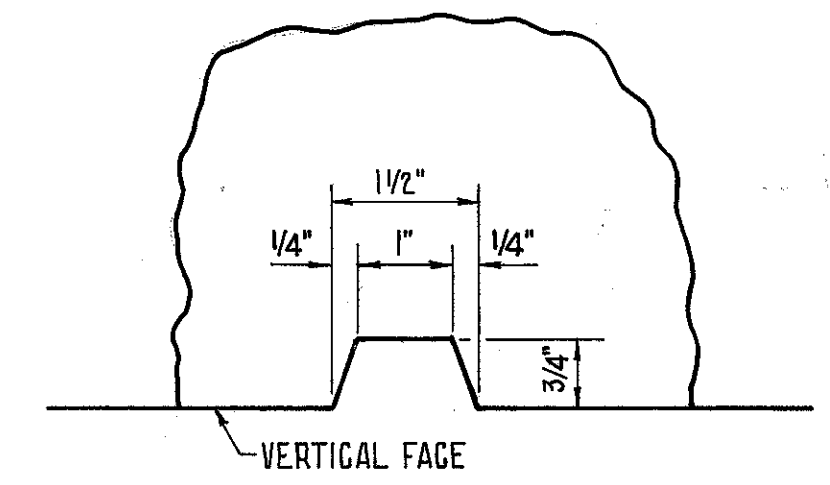
REAR ABUTMENT



ELEVATION

FORWARD ABUTMENT

NOTE: FOR PILES & RE-BARS NOT SHOWN SEE REAR ABUTMENT DETAILS - THIS SHEET



VERTICAL RUSTICATION GROOVE

FRANKLIN CONSULTANTS INC.		4 / 28	
Consulting Engineers		OHIO	
COLUMBUS, OHIO			
ABUTMENT DETAILS			
BRIDGE NO. LAK - 306-0635			
S. R. 306 UNDER N. & W. RAILROAD			
DESIGNED	DRAWN	TRACED	CHECKED
HY	HY	GKS	SM
REVIEWED	DATE	REVISED	
JF	10/22/77		

Revised 5-5-81

BRUNING 44-132 30845-1