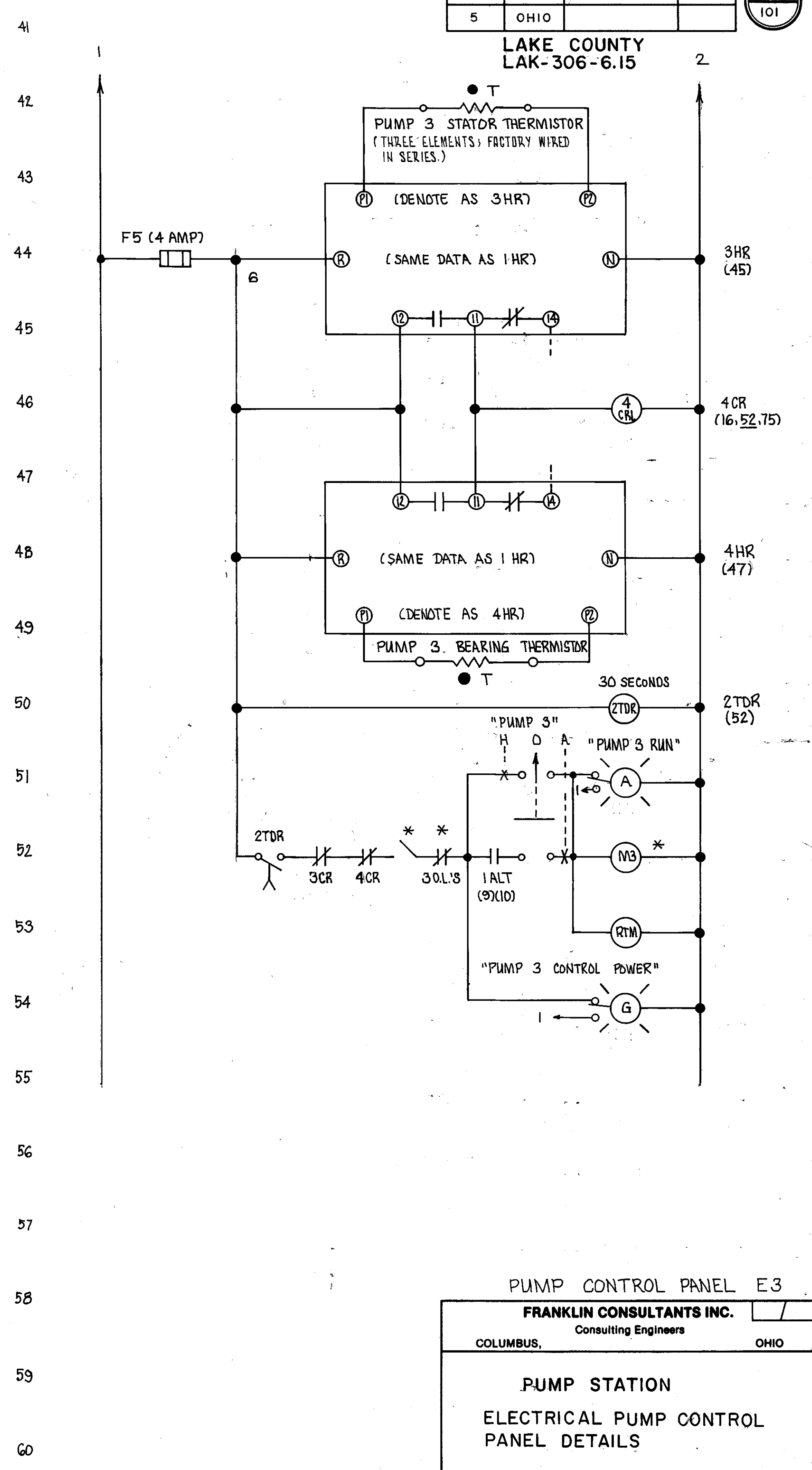
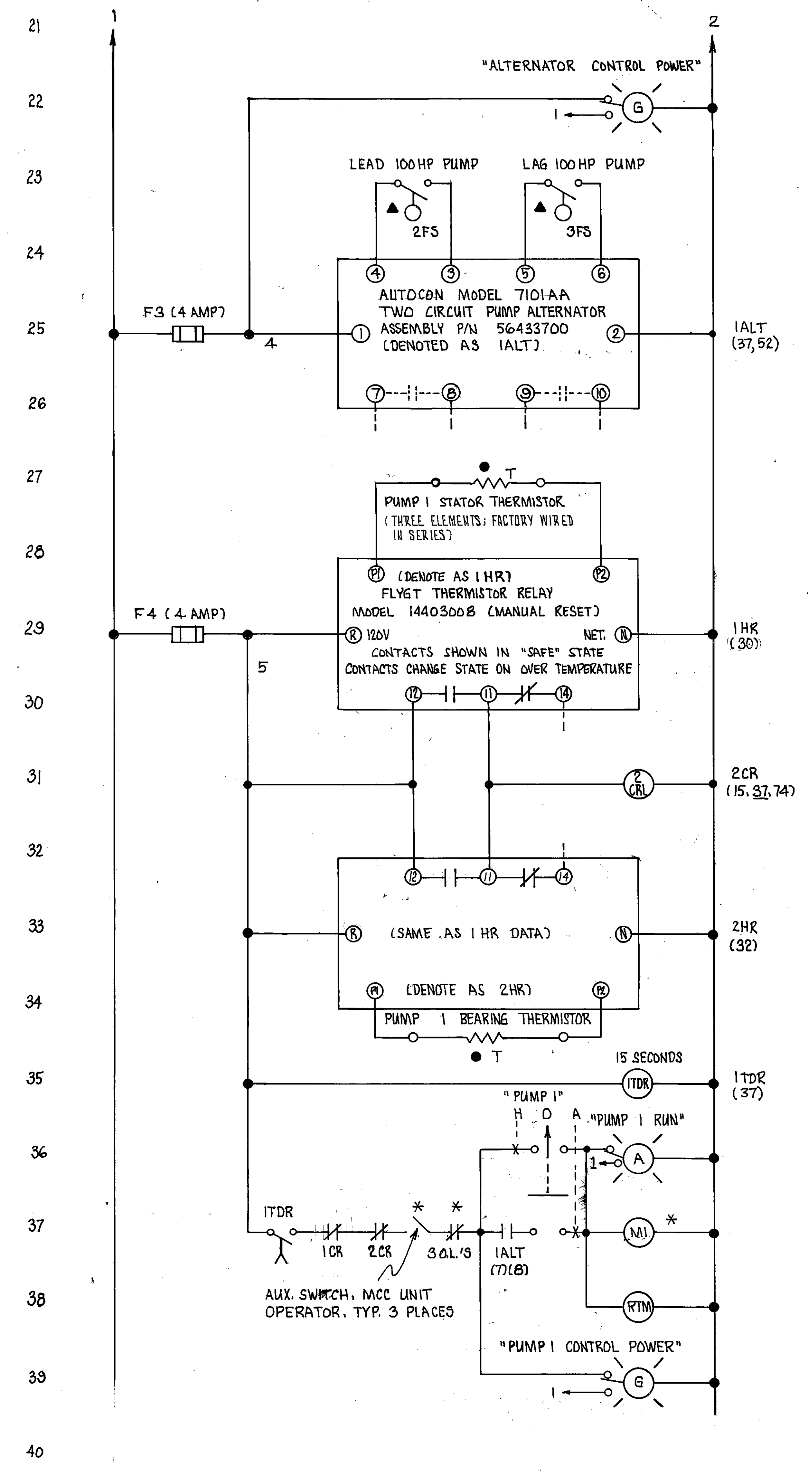


COMPONENT LOCATION LEGEND

- IN CONTROL PANEL (NO SYMBOL)
- * IN MOTOR CONTROL CENTER
- AT MOTOR
- ▲ REMOTE



PUMP CONTROL PANEL - CONTROL WIRING DIAGRAM (SHEET 1 OF 2)

PUMP CONTROL PANEL E3

FRANKLIN CONSULTANTS INC.
Consulting Engineers

COLUMBUS, OHIO

PUMP STATION
ELECTRICAL PUMP CONTROL
PANEL DETAILS

LAKE COUNTY S.R. 306

DESIGNED RBH	DRAWN RBH	TRACED	CHECKED	REVIEWED WP	DATE	REVISED
-----------------	--------------	--------	---------	----------------	------	---------

BRUNING 44-132 30845-1