

LIGHTING FIXTURE SCHEDULE

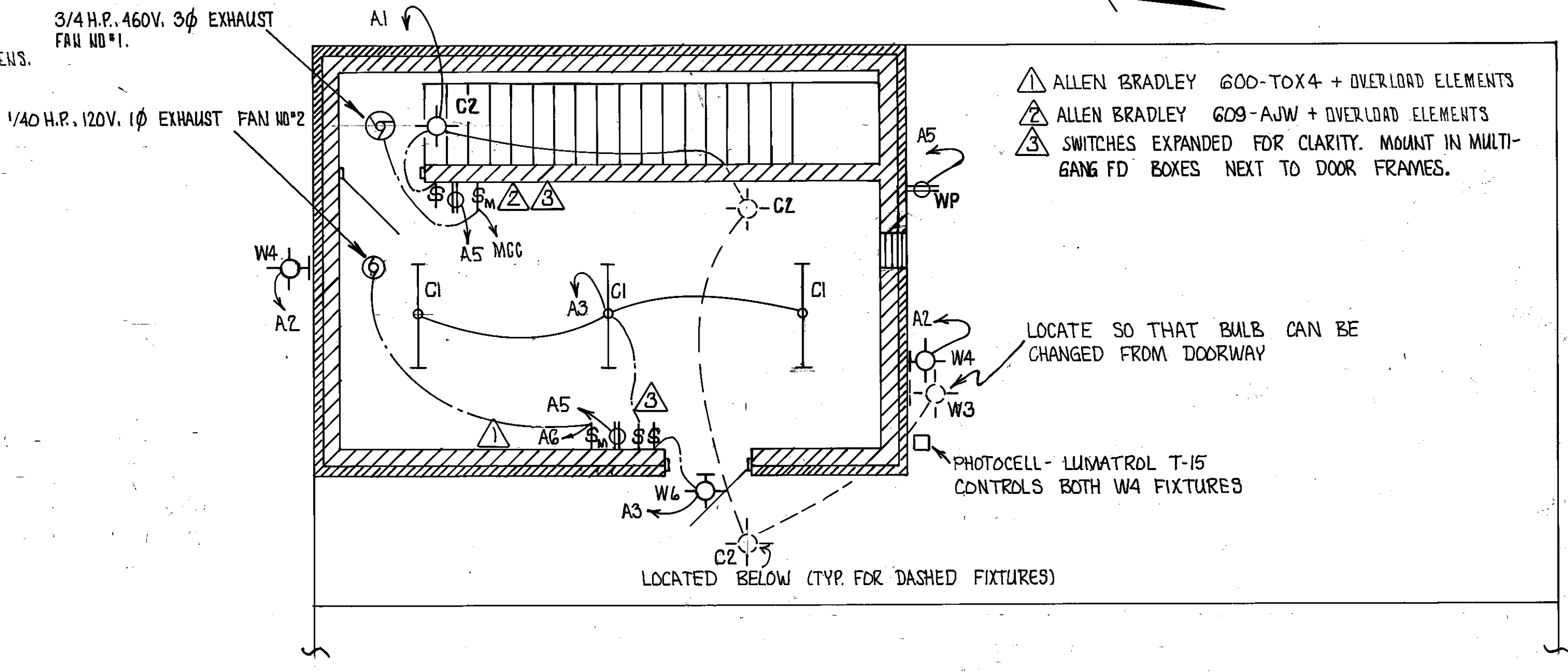
SYMBOL	MANUFACTURER	CATALOG NUMBER	BULBS	VOLTAGE	REMARKS
C1	BENJAMIN CASCADE	FE 2024-4 LE	2L 40 WRS	120	MOUNT TIGHT TO DECK
C2	APPLETON	VC 2075 G-A	1-150 W		MOUNT TIGHT TO CEILING
W3	APPLETON	DBVW 20G-A	1-150 W		MOUNT @ EL. 440.0
W4	BENJAMIN	DWW-100-120 S *	1-100 W M.V.		MOUNT @ 8'-6" ABOVE FLOOR
W6	BENJAMIN	DWW-300-120 S *	1-150 W	120	MOUNT @ 8'-6" ABOVE FLOOR

NOTES: 1. SWITCH BOTH W4 FIXTURES FROM A PHOTOCELL LOCATED ON NORTH WALL OF BUILDING

ELECTRICAL LIGHTING FLOOR PLAN

SCALE 1/4" = 1'-0"

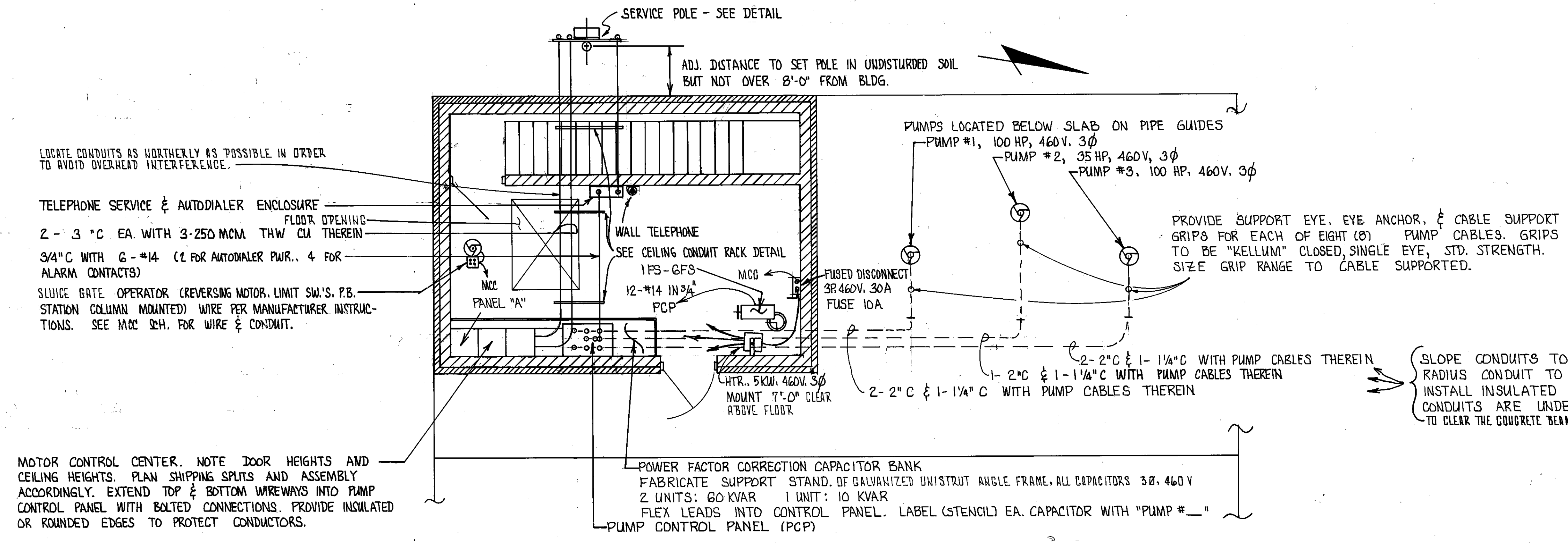
\* FURNISH WITH HEAVY DUTY WIRE GUARD AND "LEXAN" POLYCARBONATE LENS.



NOTES:  
1. SOME ELECTRICAL MATERIALS ARE DENOTED BY MANUFACTURER AND MODEL/TYPE DESIGNATION FOR PRECISION AND BREVITY. CONTRACTOR SHALL UTILIZE ONLY MATERIALS WHICH ARE IN FACT EQUAL IN ALL RESPECTS, AS DETERMINED BY THE ENGINEER, TO THE NAMED MATERIALS.

ELECTRICAL POWER FLOOR PLAN

SCALE 1/4" = 1'-0"



ELECTRICAL PLANS E-1

FRANKLIN CONSULTANTS INC.					
Consulting Engineers					
COLUMBUS, OHIO			OHIO		
PUMP STATION					
ELECTRICAL PLAN VIEWS					
LAKE COUNTY S.R. 306					
DESIGNED	DRAWN	TRACED	CHECKED	REVIEWED	DATE
R.B.H.	R.B.H.			W	