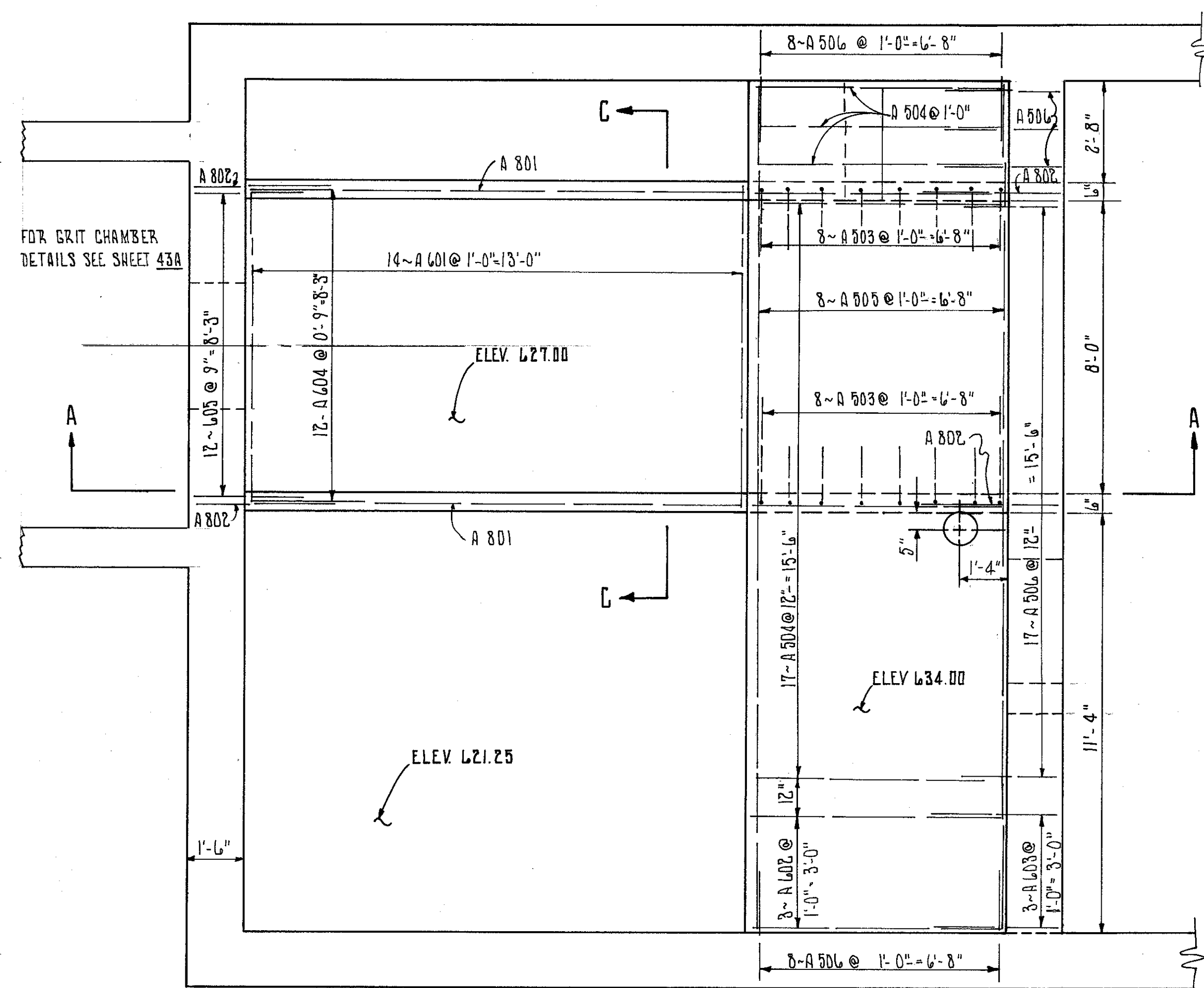
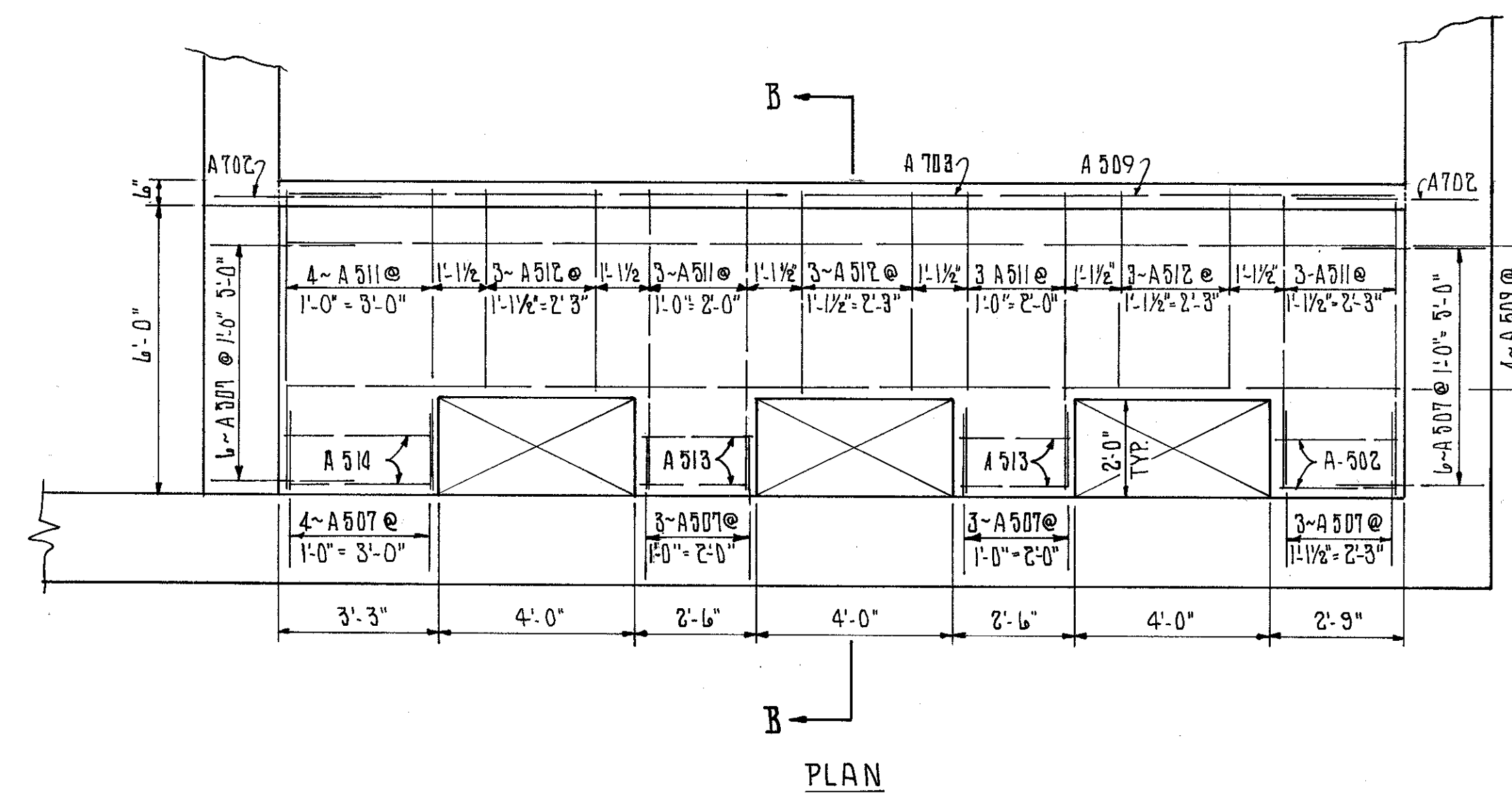


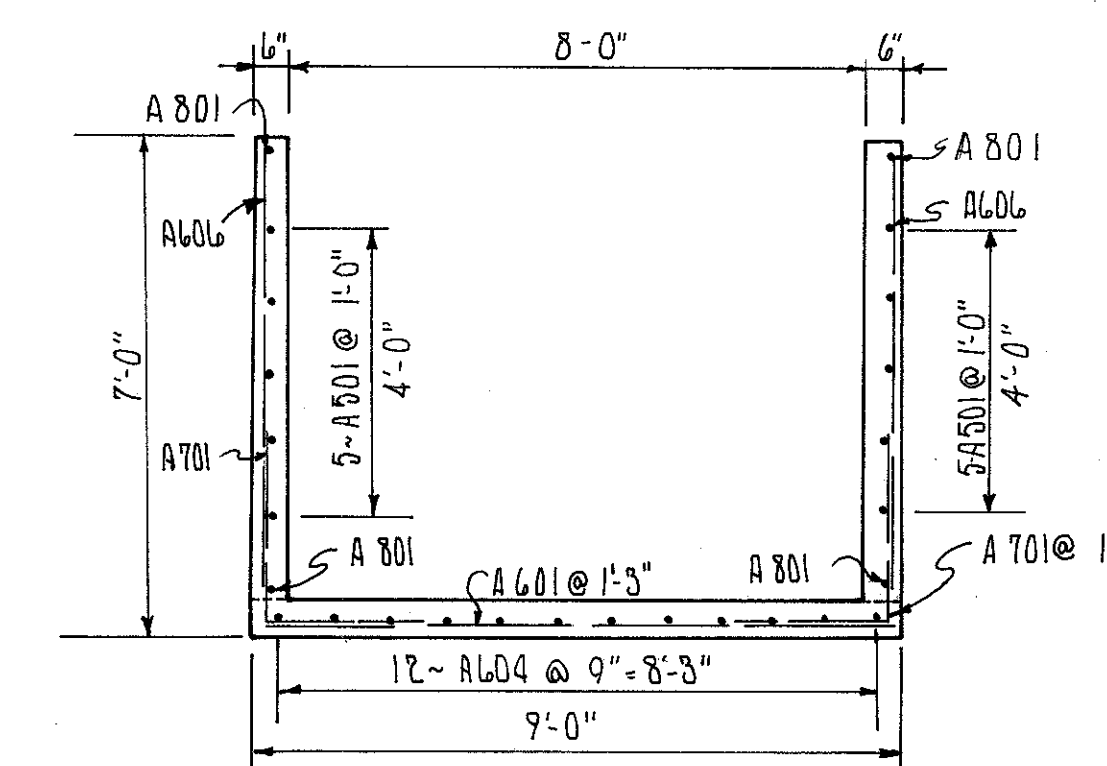
LAKE COUNTY
LAK-306-b.15



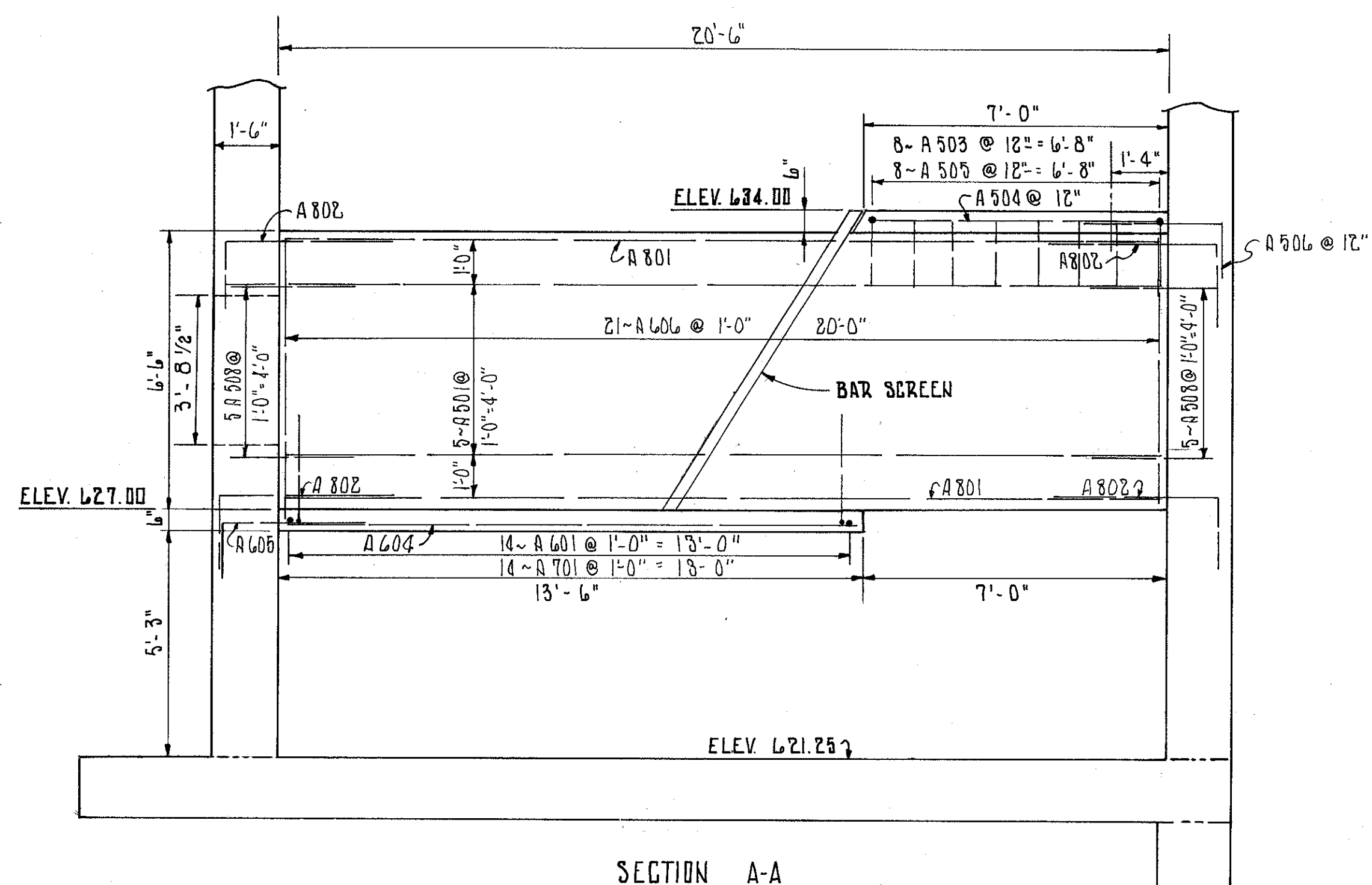
SOUTH SIDE ~ INTERIOR SLABS
PLAN



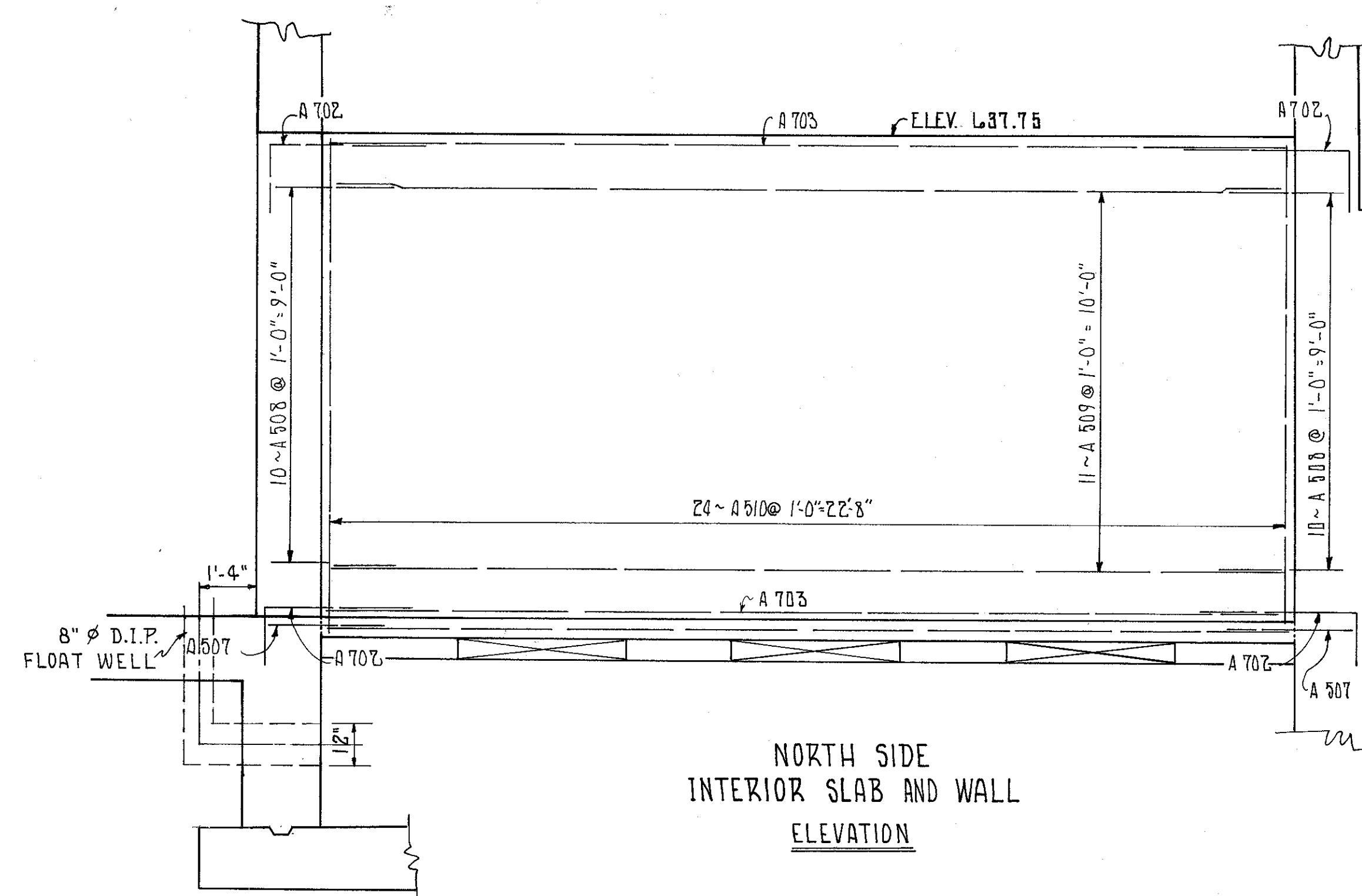
PLAN



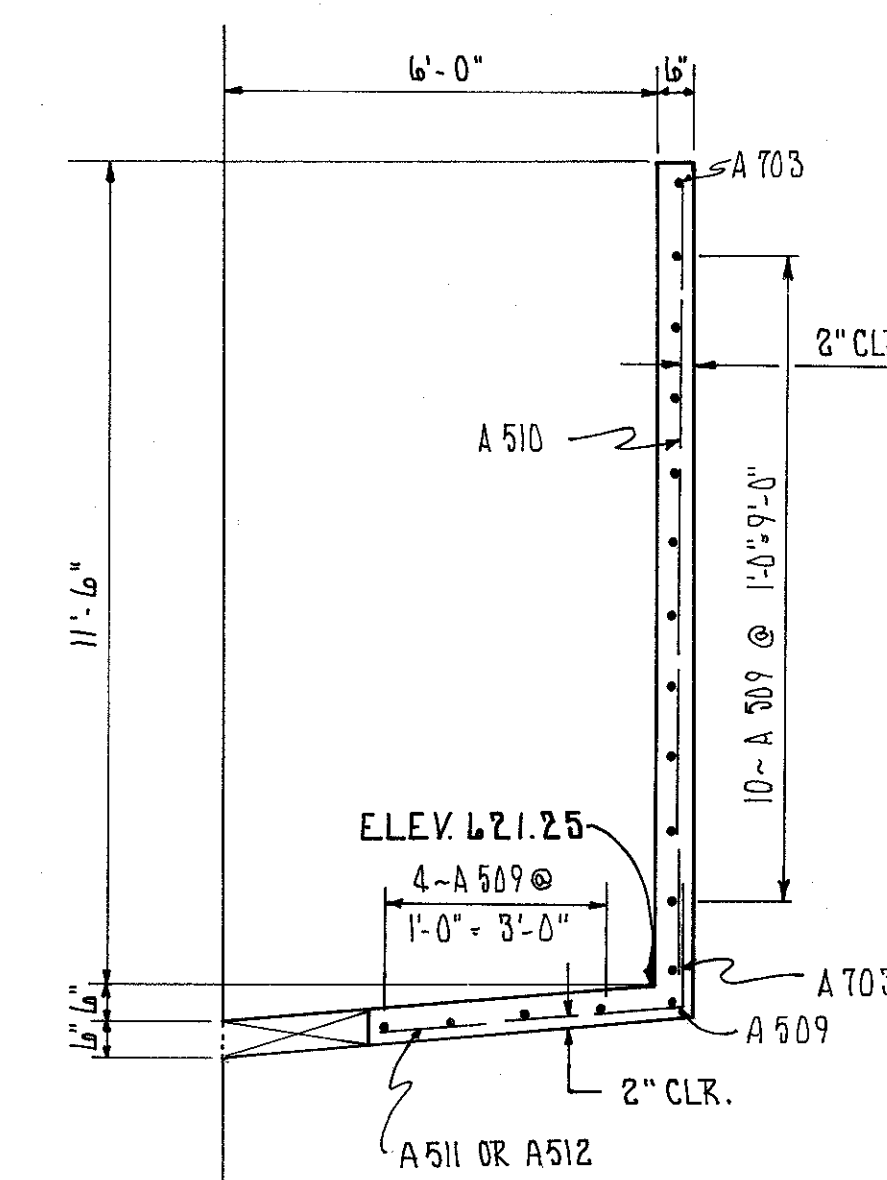
SECTION C-C



SECTION A-A



NORTH SIDE
INTERIOR SLAB AND WALL
ELEVATION



SECTION B-B

SCALE: 3/8" = 1'-0"

FRANKLIN CONSULTANTS INC.						
Consulting Engineers						
COLUMBUS, OHIO						
DETAILS OF INTERIOR WALLS AND SLABS						
PUMP STATION						
DESIGNED	DRAWN	TRACED	CHECKED	REVIEWED	DATE	REVISED
PCB	PCB	RC	WDG			