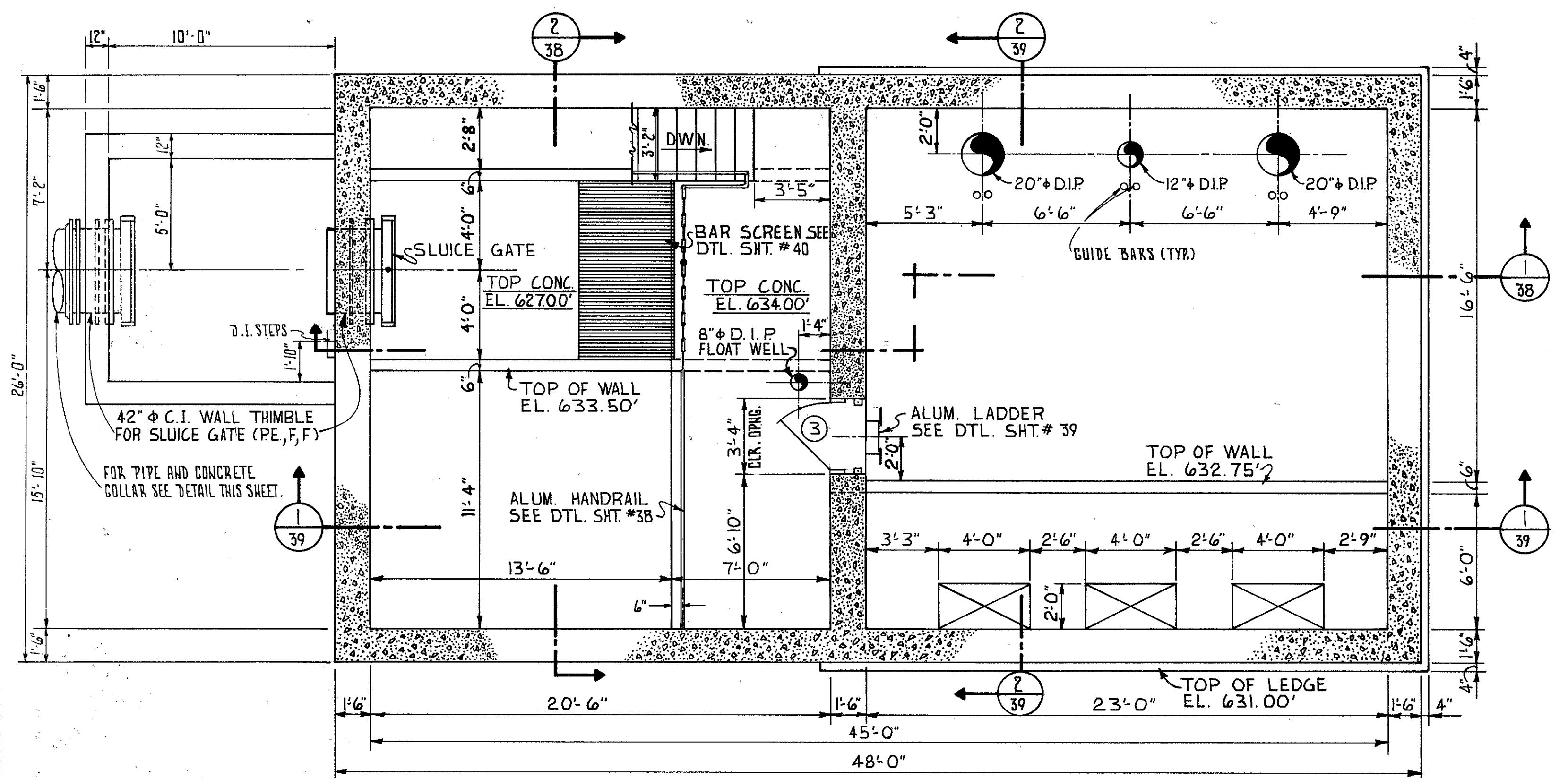
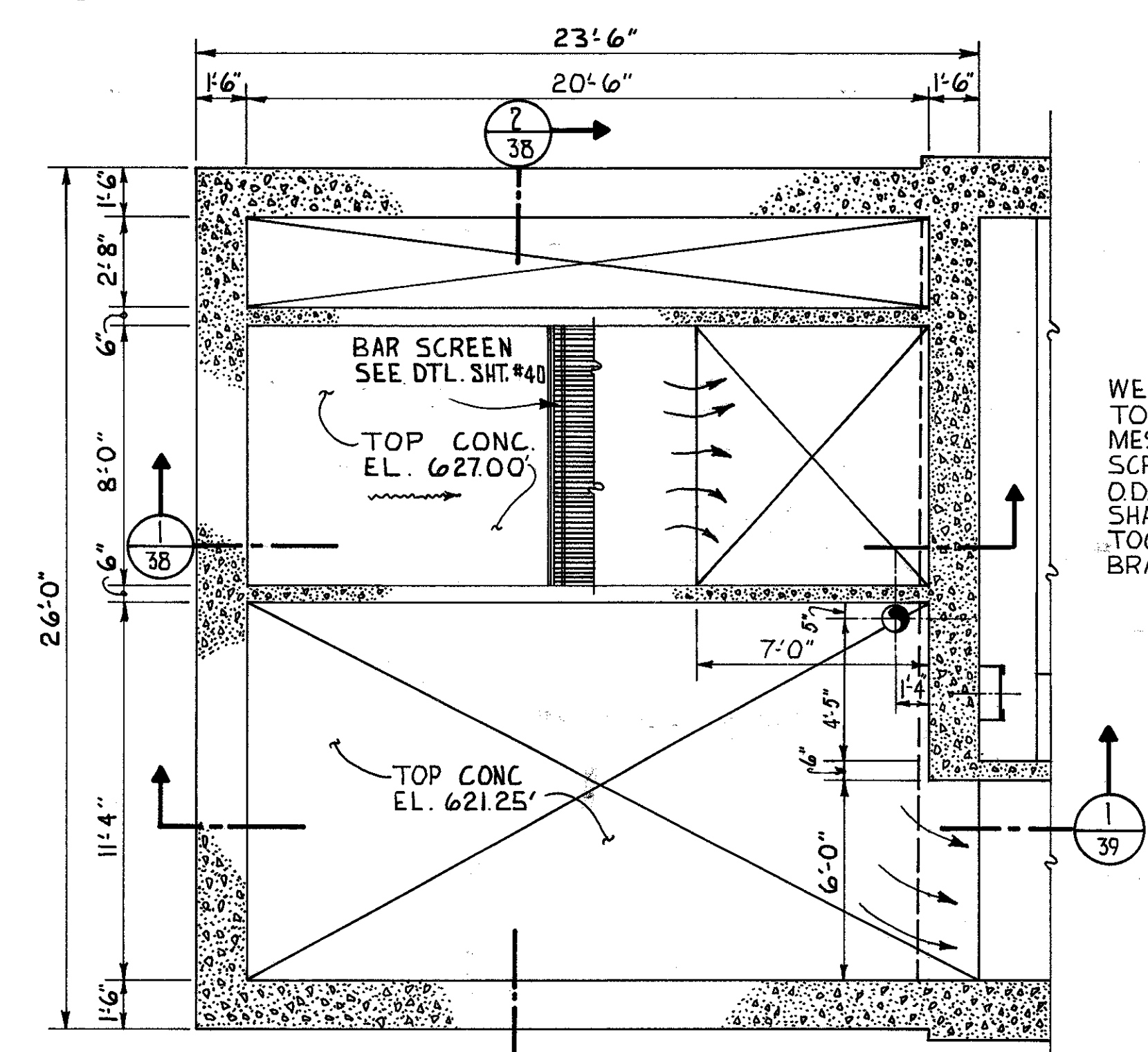


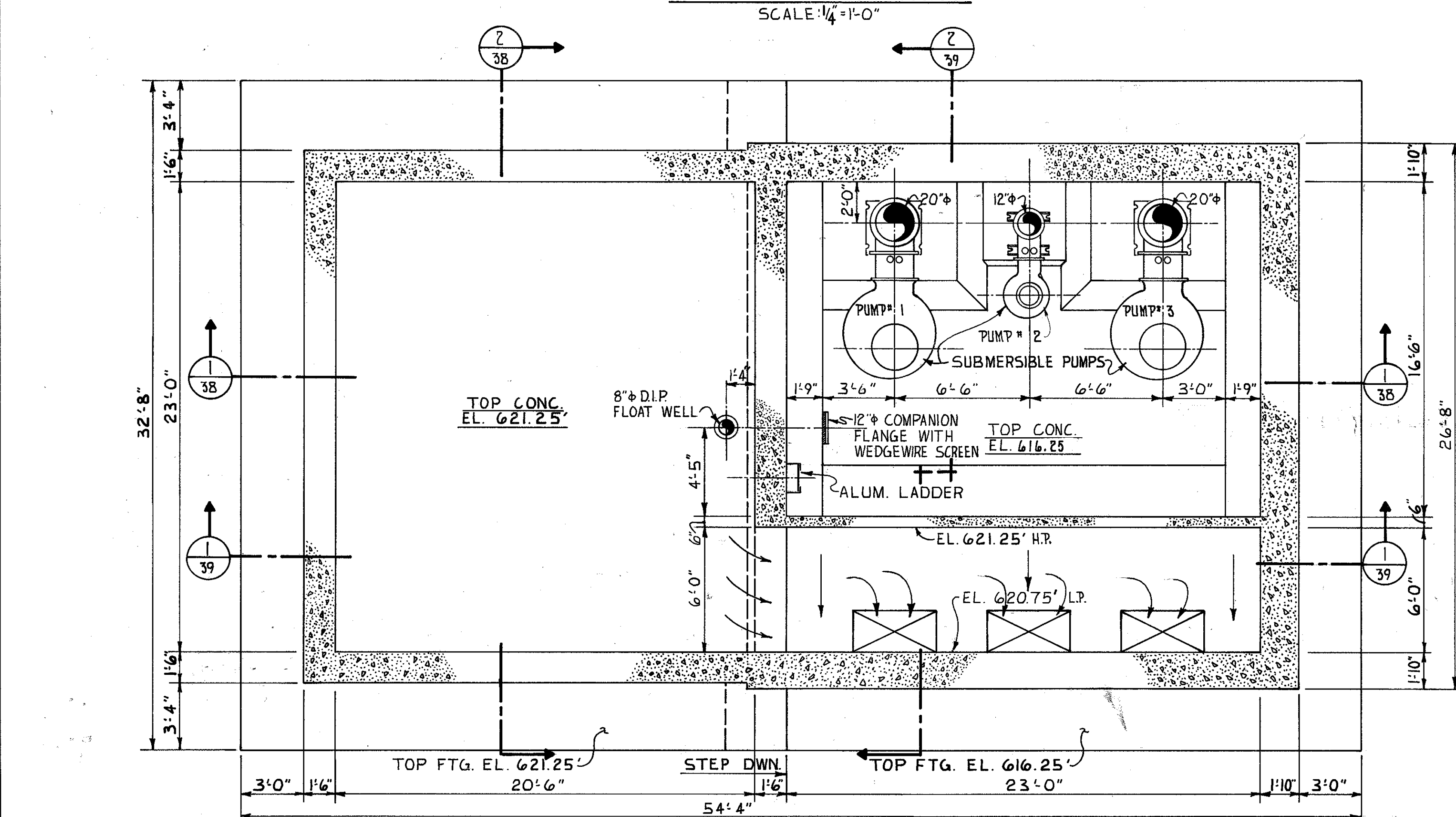
LAKE COUNTY  
LAK-306-6.15



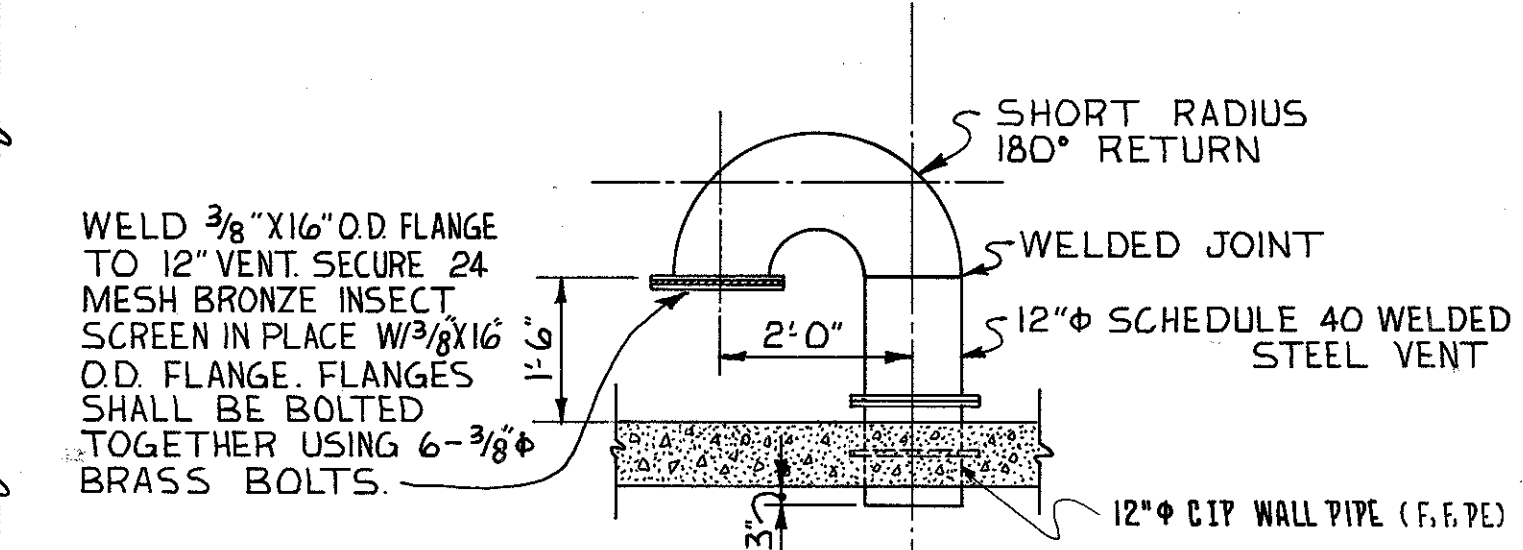
PLAN AT ELEVATION 635.00'  
SCALE: 1/4"=1'-0"



PARTIAL PLAN AT ELEVATION 628.0'  
SCALE: 1/4"=1'-0"

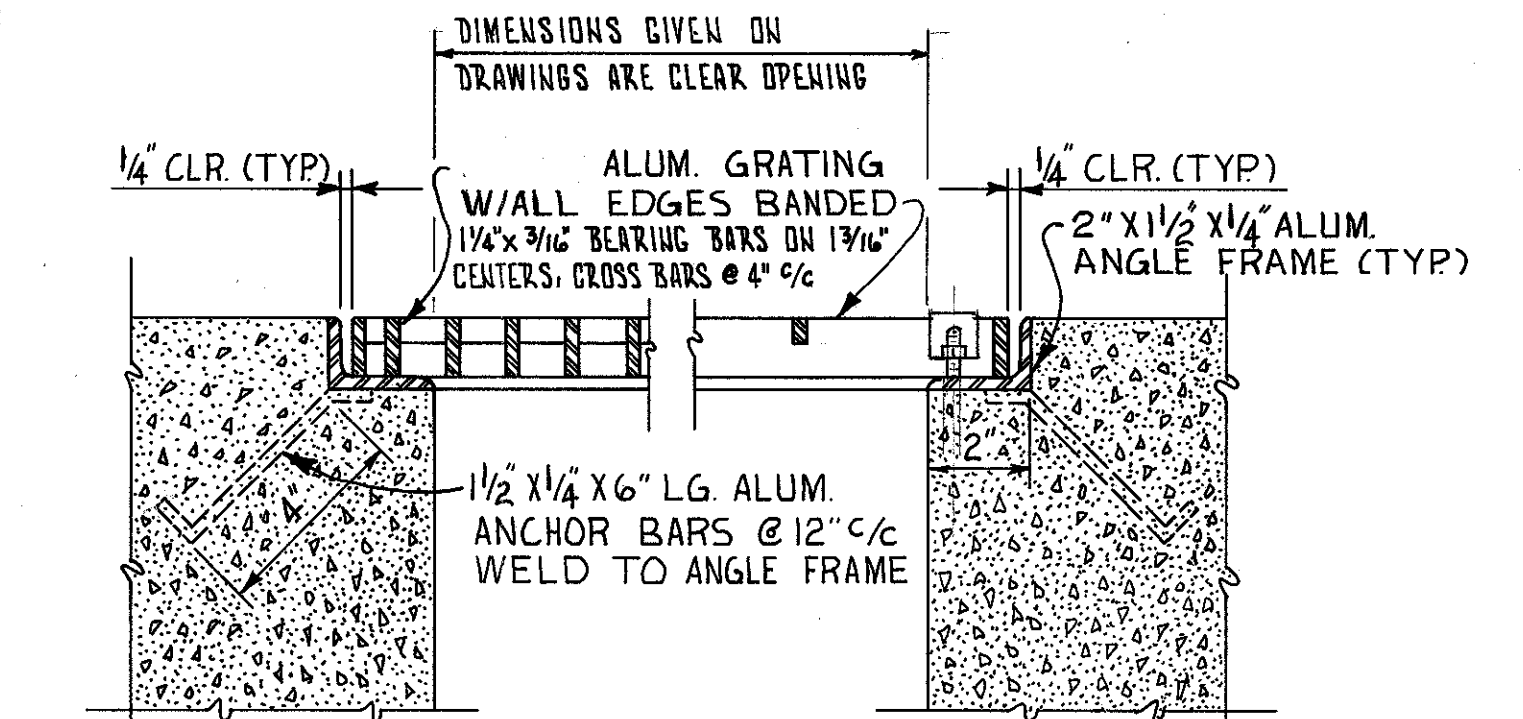


PLAN AT ELEVATION 626.00'  
SCALE: 1/4"=1'-0"



VENT DETAIL  
NO SCALE

NOTE:  
ALL STEEL SHALL BE HOT  
DIPPED GALVANIZED AFTER  
FABRICATION. BEND REIN.  
STEEL IN TOP SLAB TO  
AVOID HOLES FOR VENTS.

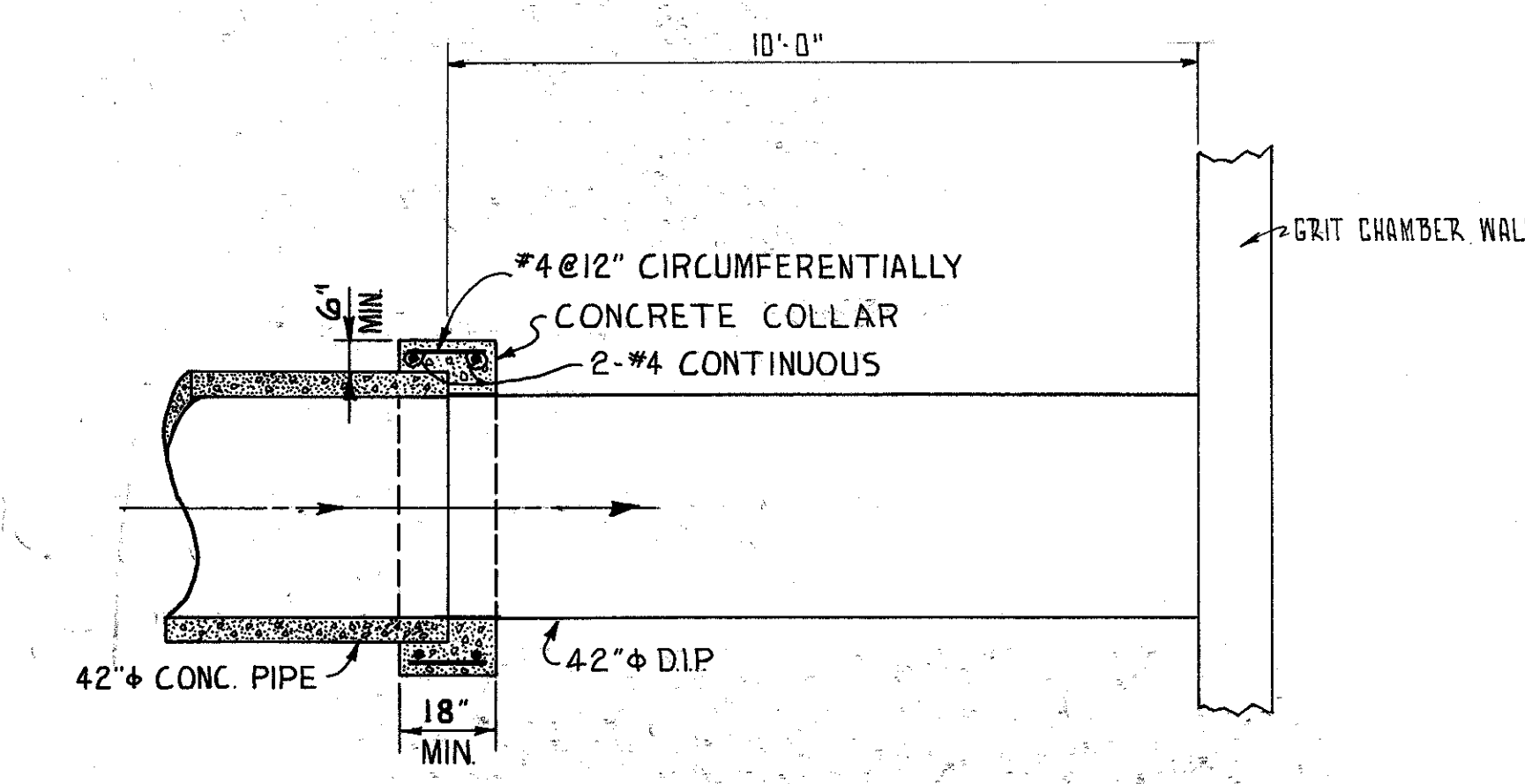


DETAIL A

DETAIL B

TYPICAL GRATING DETAILS  
NO SCALE

NOTES:  
1) ANGLE FRAMES TO BE  
WELDED TOGETHER AND  
GROUND SMOOTH.  
2) GRATING PANELS SHALL BE FURNISHED  
IN NOMINAL 3'-0" WIDTHS.  
3) EACH PANEL SHALL BE RETAINED TO  
FRAME WITH A MINIMUM OF 4  
FASTENERS, 2 EACH SIDE. THE  
FASTENER SHALL BE STN. STEEL  
V-SHAPED CLIP ENGAGING 2 MAIN  
BEARING BARS AND RETAINED BY  
PLACING OVER A STUD BOLT WITH  
NUT, WELDED TO THE FRAME, TYPE 'C'  
BY HARSCO OR EQUAL.



CONCRETE COLLAR  
NO SCALE

FRANKLIN CONSULTANTS INC.					
Consulting Engineers					
COLUMBUS, OHIO			OHIO		
PUMP STATION					
PLANS AT ELEVATION 635.0 AND 626.0. PARTIAL PLAN AT ELEVATION 628.0					
LAKE COUNTY					S.R. 306
DESIGNED	DRAWN	TRACED	CHECKED	REVIEWED	DATE
RET	DLE	DLE		UP	

BRUNING 44-132 30645-1