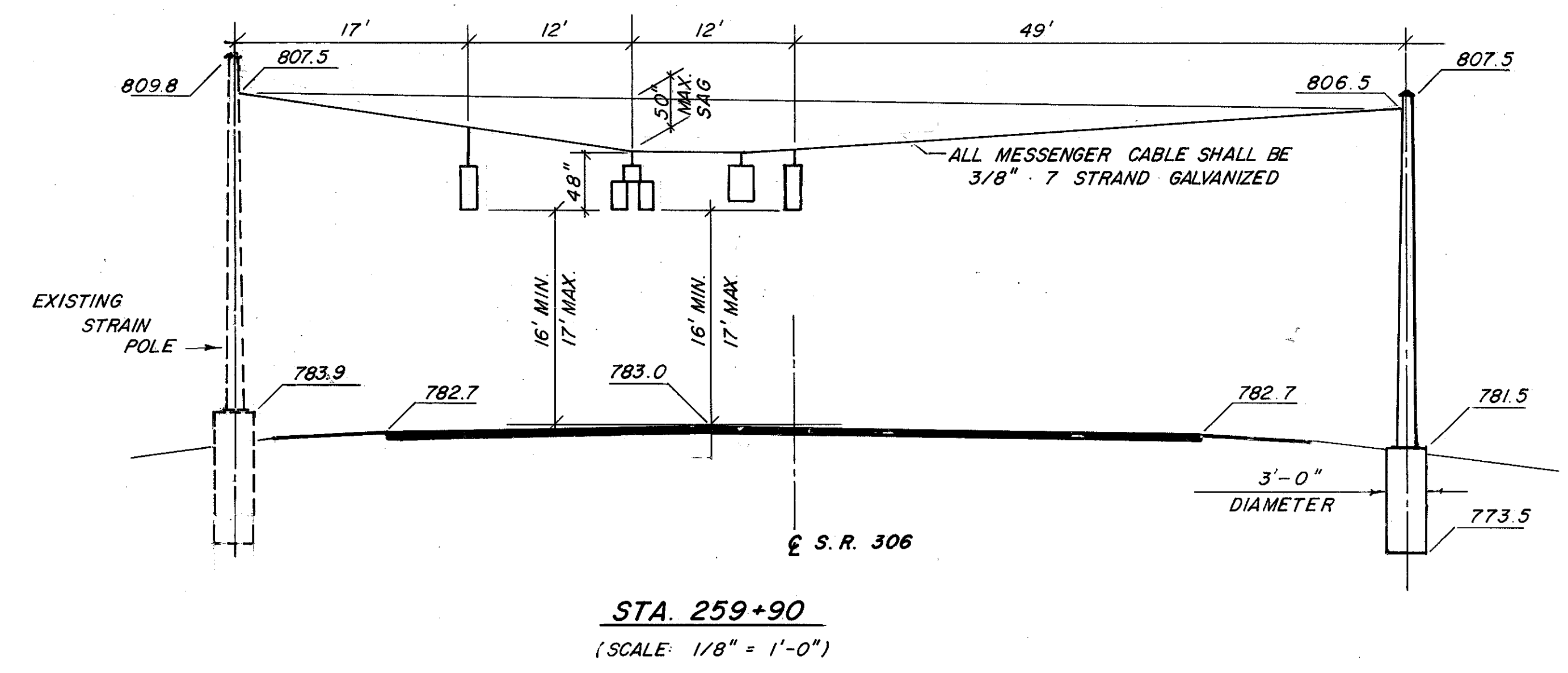
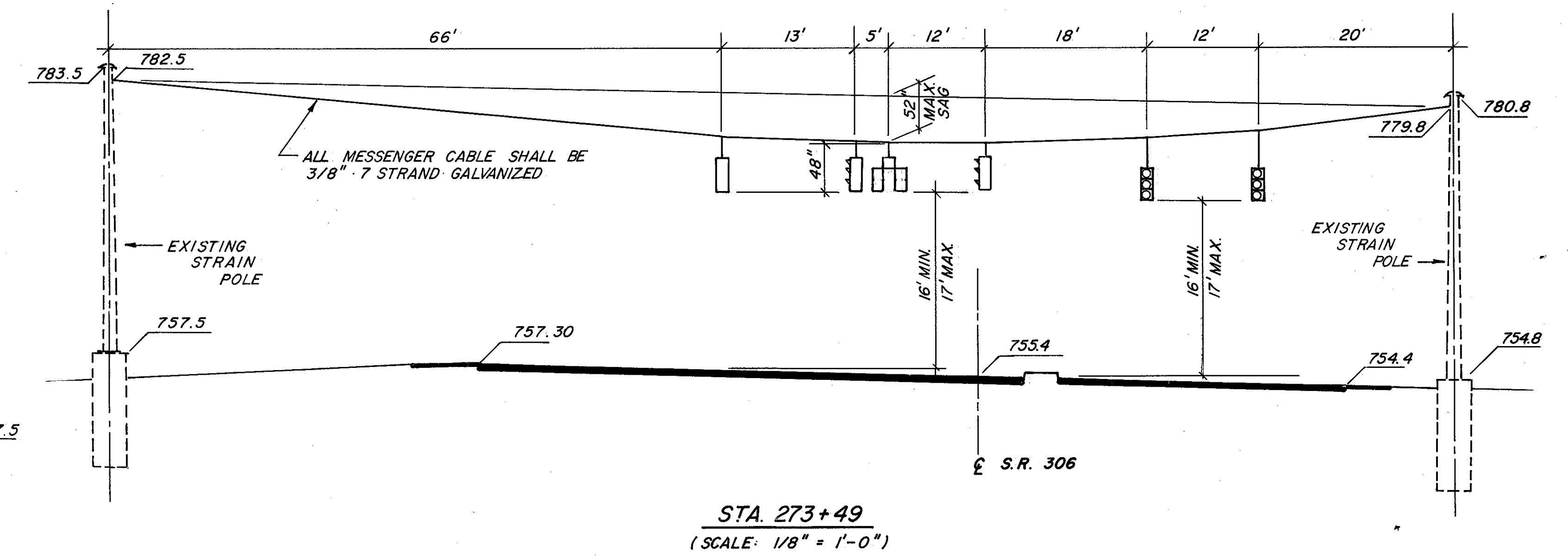
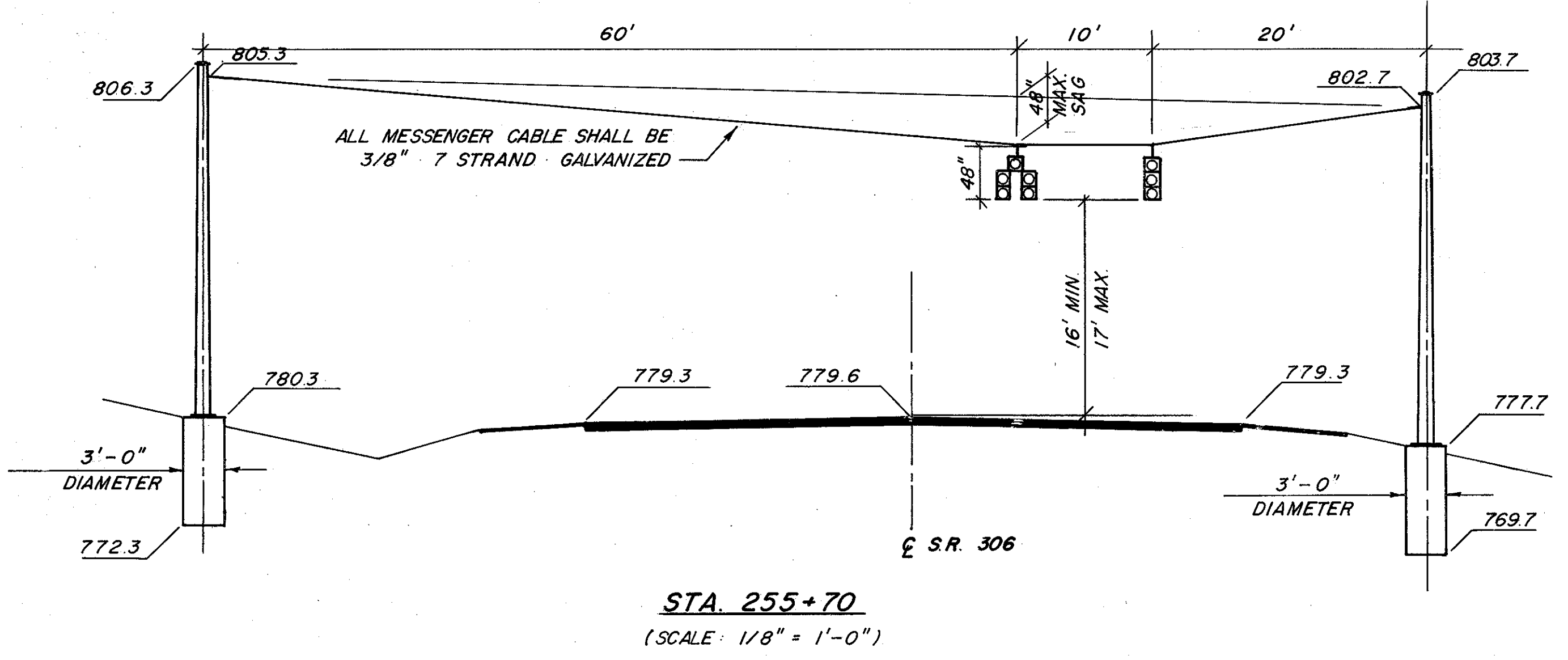
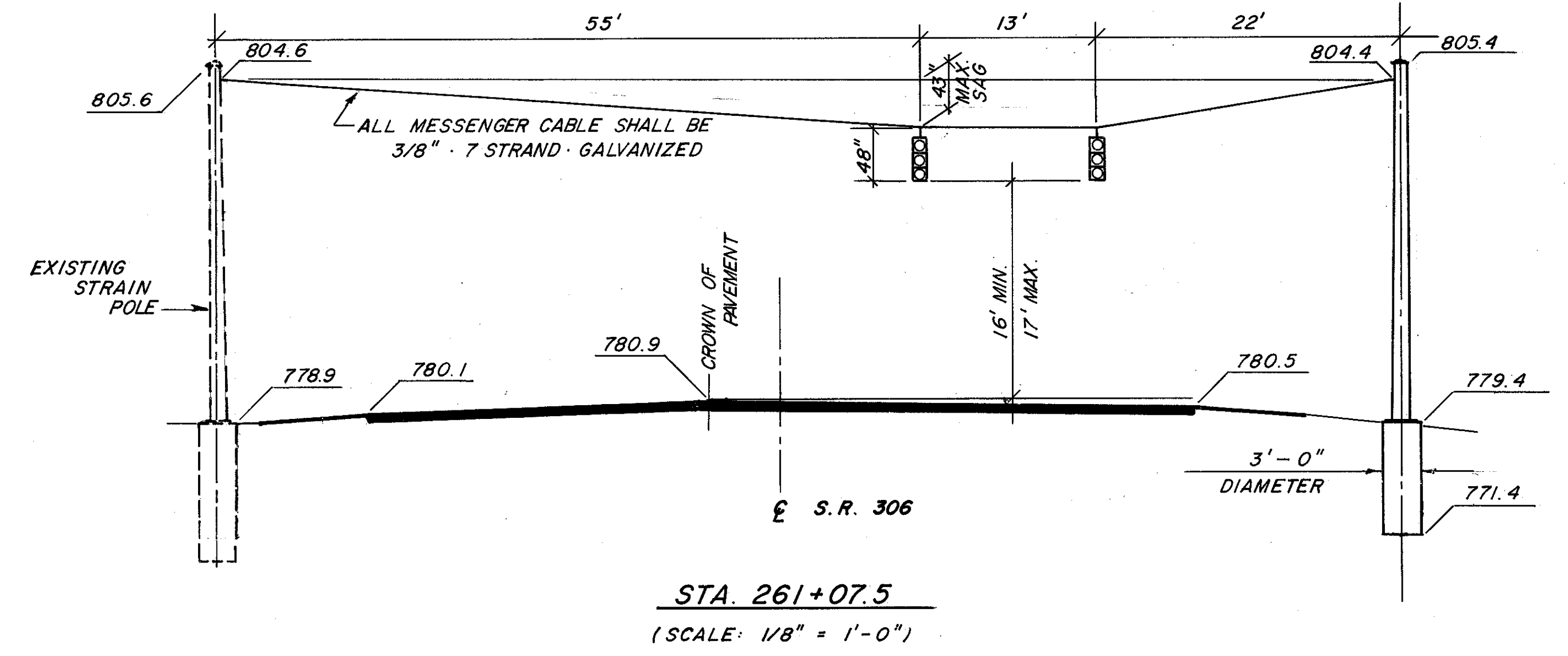
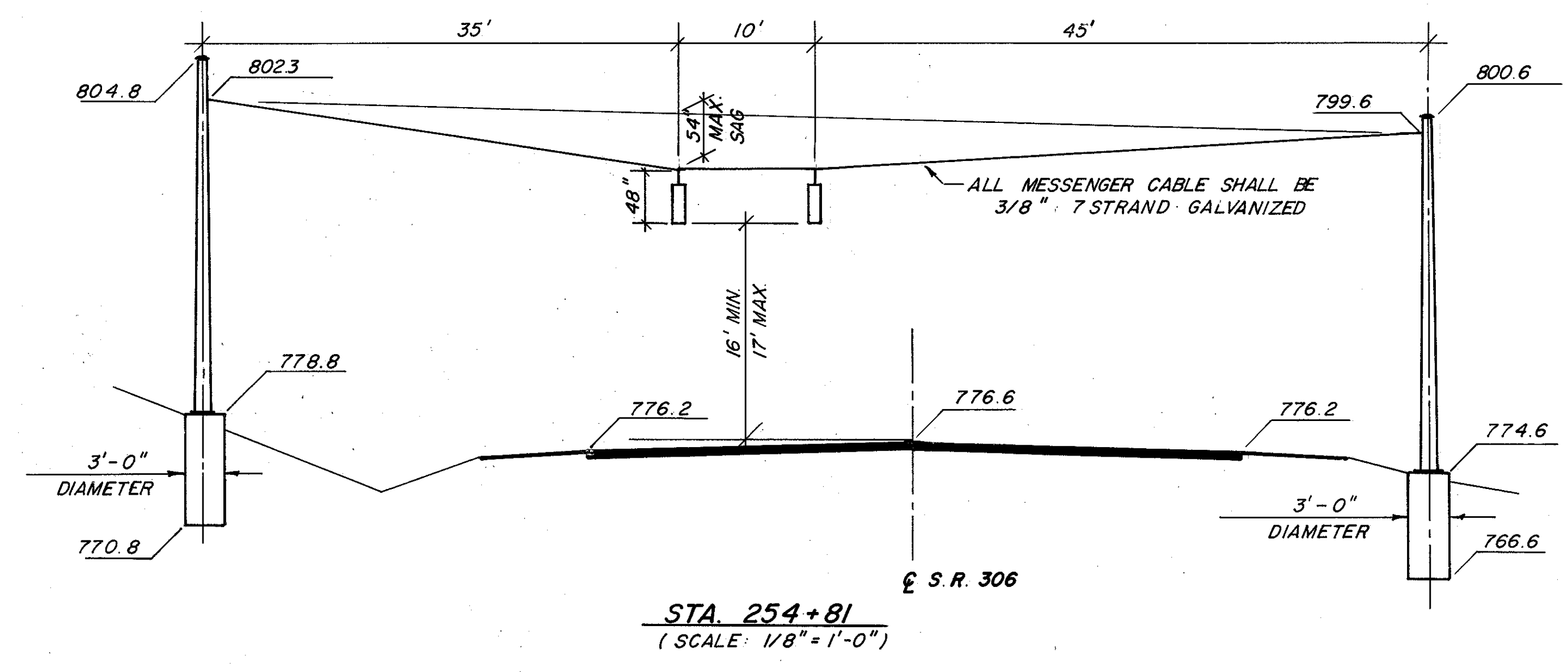


LAKE COUNTY
LAK-306-4.74

NOTE: ALL VIEWS ARE LOOKING NORTH, &
DIMENSIONS SHOWN ARE ALONG MESSENGER CABLE



COLPETZER WOODS CONSULTANTS INC.
MENTOR, OHIO

STATE OF OHIO
DEPARTMENT OF TRANSPORTATION

DESIGNED	DRAWN	TRACED	CHECKED	REVIEW DATE	REVISED

SIGNAL POLE ELEVATIONS

STATE ROUTE 306