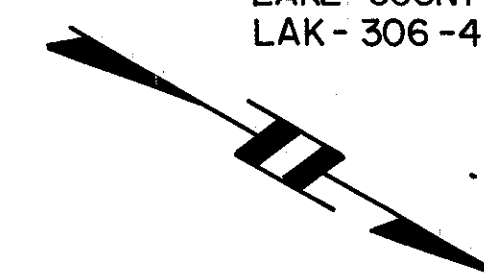
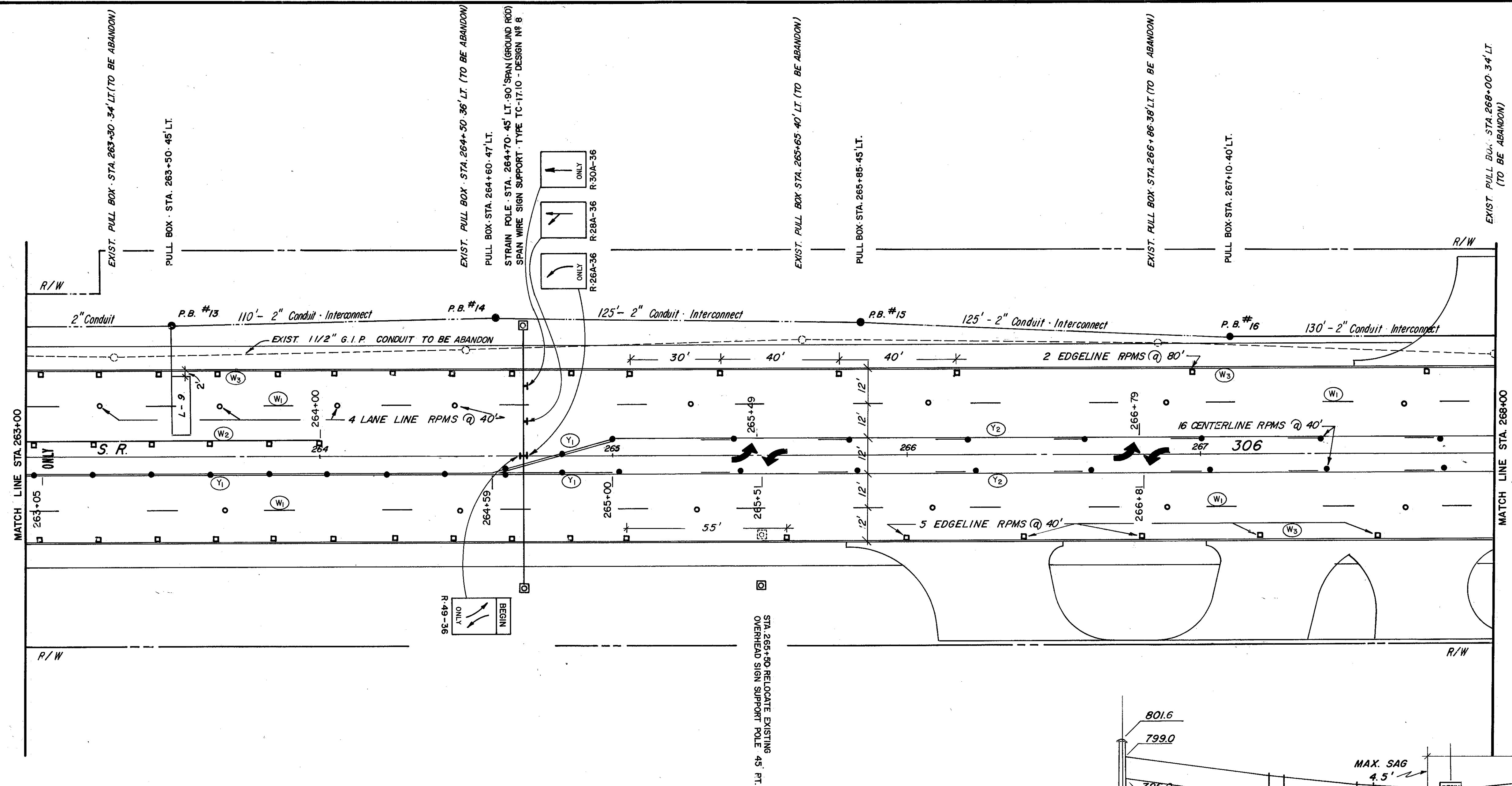


LAKE COUNTY
LAK-306-4.74

DATE 2/25/81
BY JZ
CHKD DA
COLPETZER - WOODS CONSULTANTS

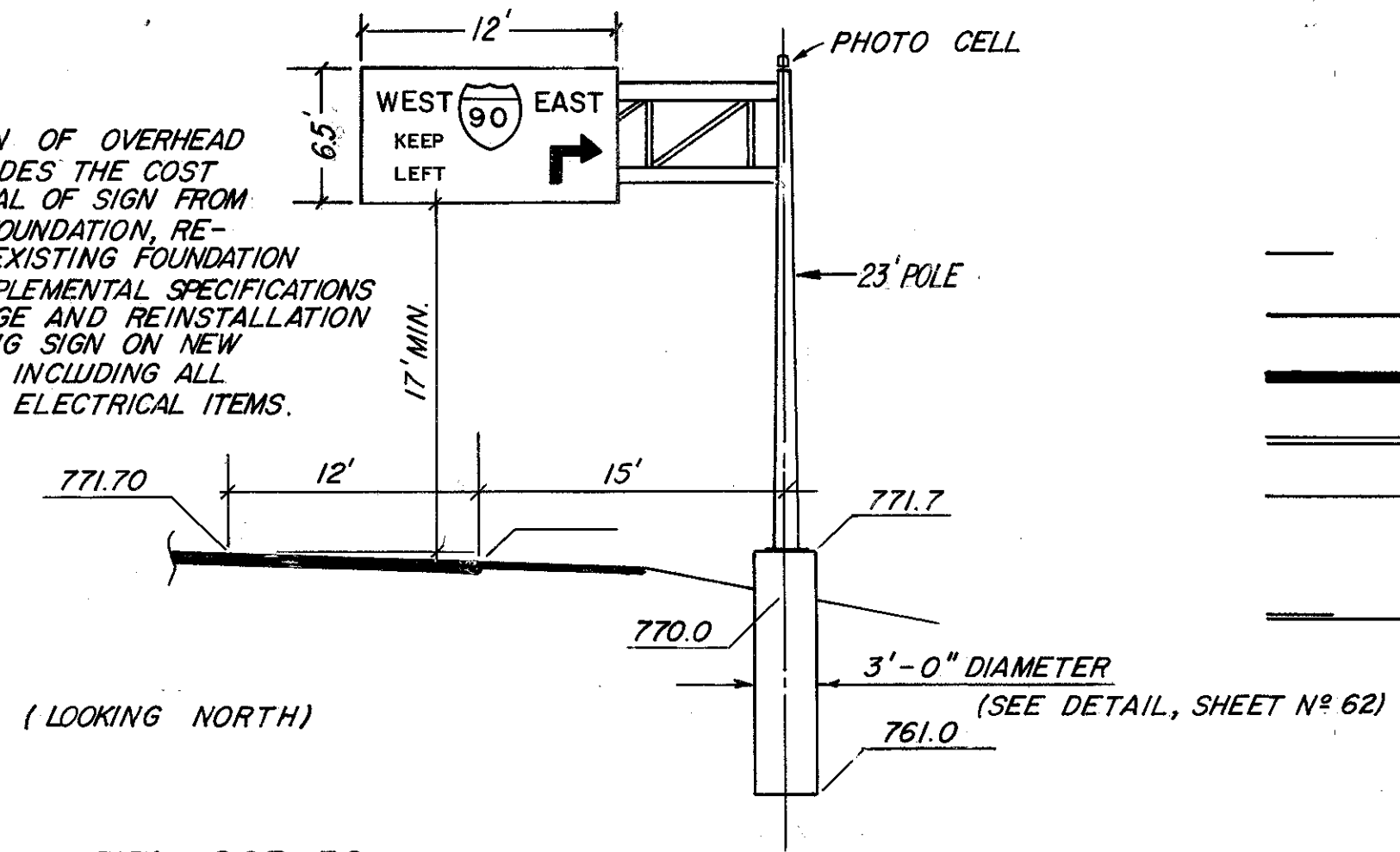


NOTE: EDGELINE, CHANNELIZING LINE, AND CENTERLINE RAISED PAVEMENT MARKERS ARE AT 20' SPACING UNLESS OTHERWISE NOTED. LANE LINE RAISED PAVEMENT MARKERS ARE AT 80' SPACING UNLESS OTHERWISE NOTED.



RELOCATED OVERHEAD SIGN PROFILE

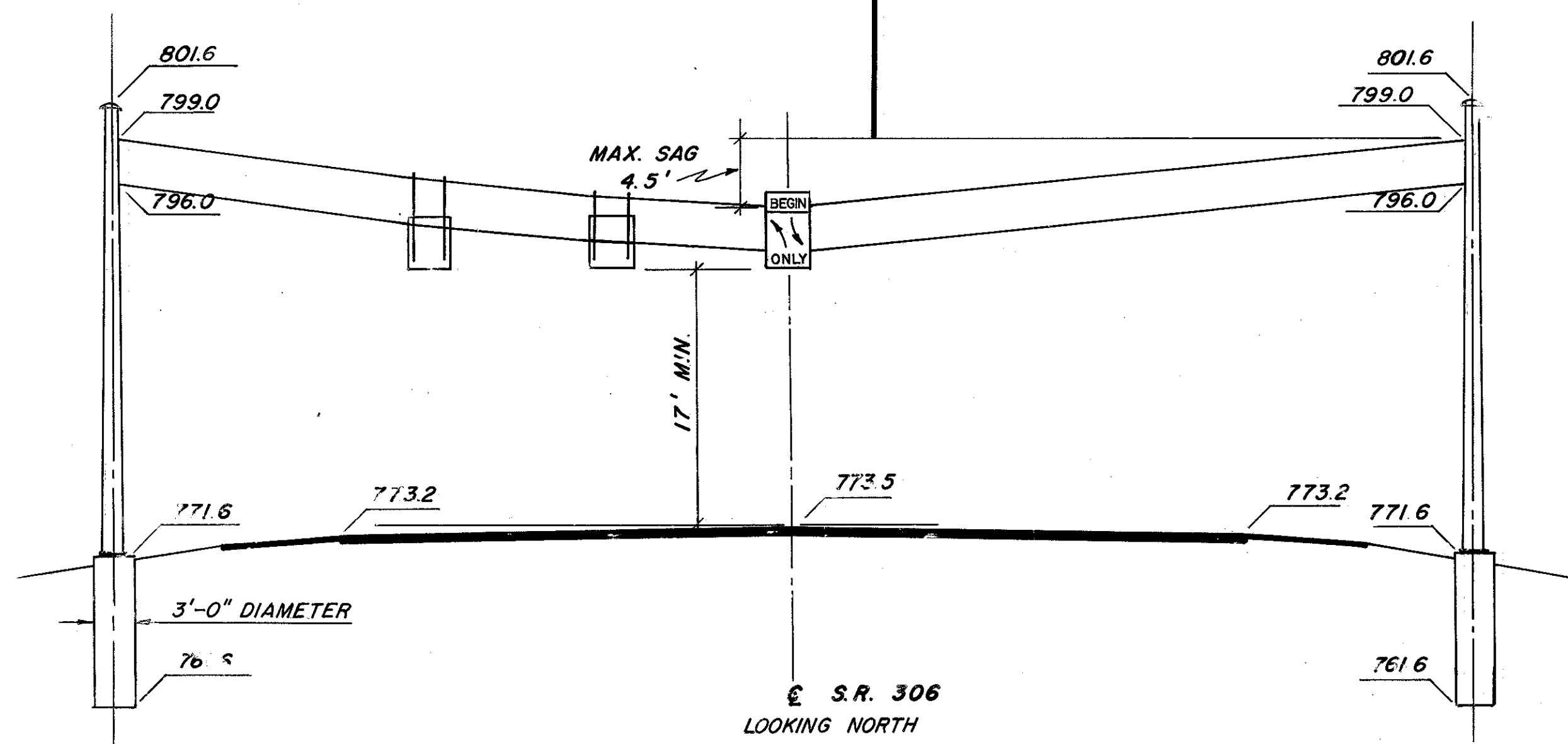
NOTE: RELOCATION OF OVERHEAD SIGN INCLUDES THE COST FOR REMOVAL OF SIGN FROM EXISTING FOUNDATION, REMOVAL OF EXISTING FOUNDATION AS PER SUPPLEMENTAL SPECIFICATIONS 630, STORAGE AND REINSTALLATION OF EXISTING SIGN ON NEW FOUNDATION INCLUDING ALL NECESSARY ELECTRICAL ITEMS.



STA. 265+50
(SCALE: 1/8" = 1'-0")

PAVEMENT MARKING LEGEND

- (W1) 4" WHITE LANE LINE (10' LONG W/30' GAPS)
- (W2) 8" WHITE CHANNELIZING LINE
- 24" STOP LINE
- (Y1) 4" DOUBLE YELLOW CENTERLINE (4" APART)
- (W3) 4" WHITE EDGE LINE
- LANE ARROWS
- (Y2) 4" CENTERLINE, BROKEN & SOLID (YELLOW) (10' LONG W/30' GAPS)
- 2 WAY RAISED MARKER - YELLOW/YELLOW
- 2 WAY RAISED MARKER - WHITE/RED (WHITE SIDE SHALL FACE TRAFFIC)
- 1 WAY RAISED MARKER - WHITE



STA. 264+70
(SCALE: 1/8" = 1'-0")

OVERHEAD SIGN PROFILE

COLPETZER WOODS CONSULTANTS INC.
MENTOR, OHIO
STATE OF OHIO
DEPARTMENT OF TRANSPORTATION

DESIGNED	DRAWN	TRACED	CHECKED	REVIEW DATE	REVISED