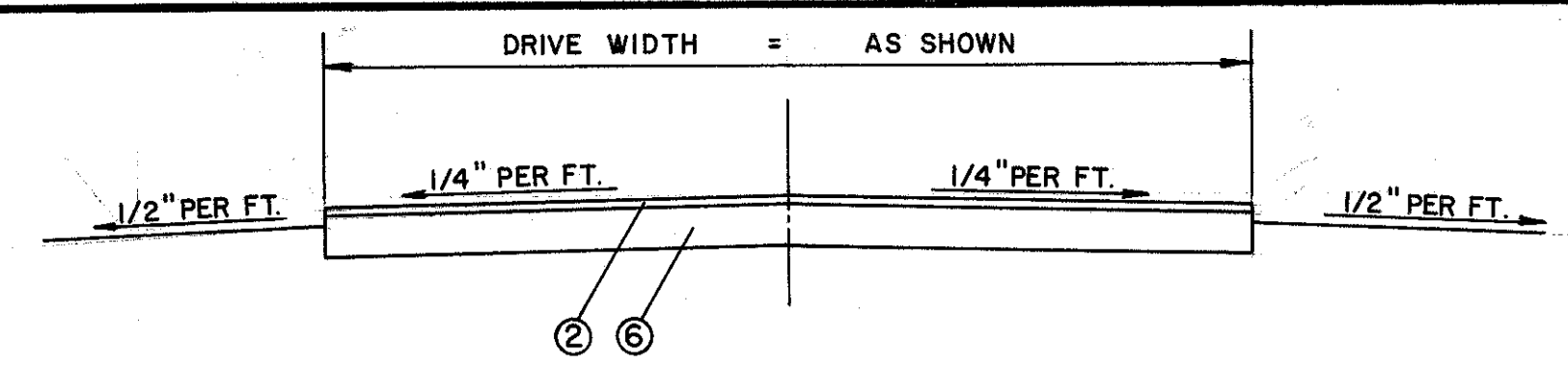


LEGEND

- ① 452 8" PLAIN PORTLAND CEMENT CONCRETE
- ② 404 1" ASPHALT CONCRETE AC-20
- ③ 301 4" BITUMINOUS AGGREGATE BASE
- ④ 304 4" AGGREGATE BASE
- ⑤ 310 SUBBASE (VARIABLE DEPTH), TYPE II
- ⑥ 301 5" BITUMINOUS AGGREGATE BASE
- ⑦ 605 6" DEEP UNDERDRAIN
- ⑧ SPECIAL DRAINAGE CONNECTION

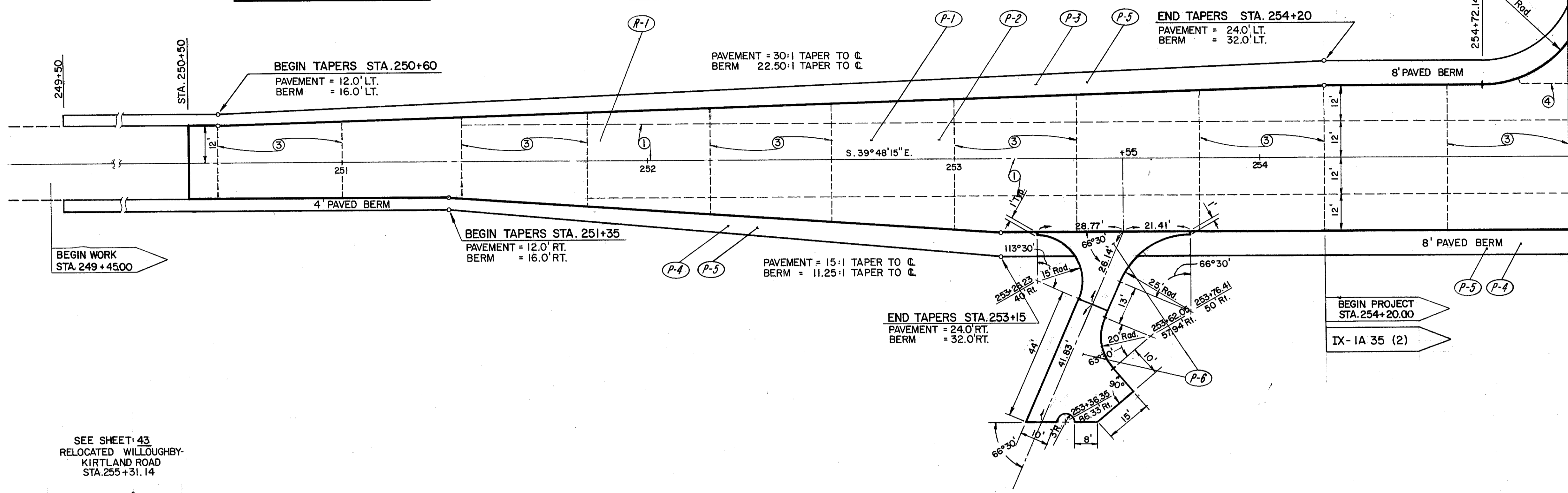
STATION	PROFILE GRADE	LT. PAV'T. EDGE		RT. PAV'T. EDGE	
		DIST.	ELEV.	DIST.	ELEV.
250+00	746.22	12.00'	746.03	12.00'	746.03
+25	748.28	12.00'	748.09	12.00'	748.09
+50	750.33	12.00'	750.14	12.00'	750.14
+60	751.15	12.00'	750.96	12.00'	750.96
+75	752.92	12.50'	752.72	12.00'	752.19
251+00	754.36	13.33'	754.15	12.00'	754.17
+25	756.28	14.17'	756.06	12.00'	756.09
+35	757.03	14.50'	756.80	12.00'	756.84
+75	759.92	15.83'	759.67	14.67'	759.69
252+00	761.65	16.67'	761.39	16.33'	761.40
+25	763.31	17.50'	763.04	18.00'	763.03
+50	764.91	18.33'	764.62	19.67'	764.60
+75	766.44	19.17'	766.14	21.33'	766.11
253+00	767.91	20.00'	767.56	23.00'	767.55
+15	768.75	20.50'	768.43	24.00'	768.37
+50	770.65	21.67'	770.31	24.00'	770.27
+75	771.92	22.50'	771.57	24.00'	771.54
254+00	773.13	23.33'	772.77	24.00'	772.75
+20	774.05	24.00'	773.67	24.00'	773.67
+50	775.35	24.00'	774.97	24.00'	774.97
+75	776.37	24.00'	775.99	24.00'	775.99
255+00	777.32	24.00'	776.94	24.00'	776.94

PAVEMENT	LOCATION	SY	HR	SY	HR	SY	HR	SY	HR	SY	HR	SY	HR	SY	HR	TOTALS
8" PLAIN PORTLAND CEMENT CONCRETE	250+00 TO 255+00	1092.4														1092.4
BITUMINOUS AGGREGATE	250+00 TO 255+00															
ASPHALTIC CONCRETE	250+00 TO 255+00															
BITUMINOUS AGGREGATE BASE	250+00 TO 255+00															
AGGREGATE BASE	250+00 TO 255+00															
SUBBASE (VARIABLE DEPTH)	250+00 TO 255+00															
6" SUBBASE, TYPE II	250+00 TO 255+00															
9" REINFORCED PORTLAND CONCRETE PAVEMENT	250+00 TO 255+00															
SEAL COAT BITUMINOUS MATERIAL	250+00 TO 255+00															
SEAL COAT COVER AGGREGATE	250+00 TO 255+00															
TOTALS																

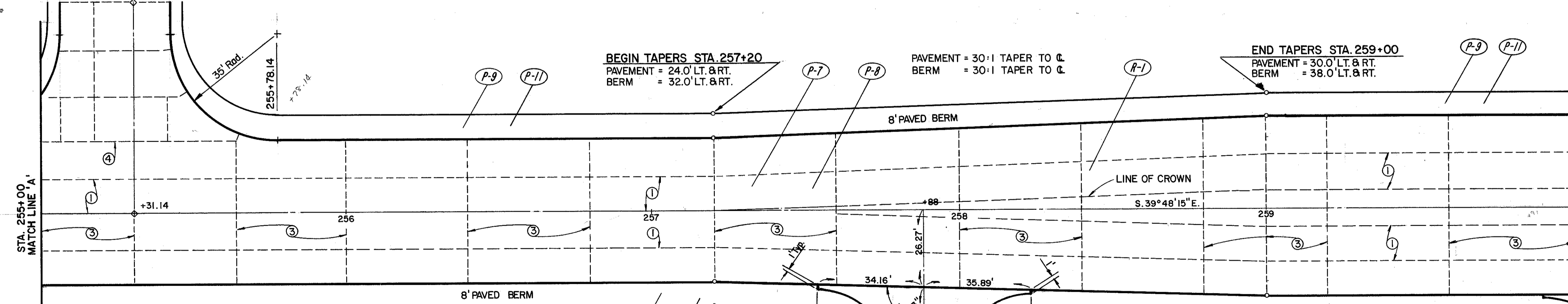


TYPICAL ASPHALT CONCRETE APRON

CONCRETE APRON STA. 253+55



SEE SHEET 43
 RELOCATED WILLOUGHBY-
 KIRTLAND ROAD
 STA. 255+31.14



STATION	PROFILE GRADE	LT. PAV'T. EDGE		RT. PAV'T. EDGE		LINE OF CROWN	
		DIST.	ELEV.	DIST.	ELEV.		DIST.
255+25	778.21	24.00'	777.83	24.00'	777.83	0'	778.21
+50	779.03	24.00'	778.65	24.00'	778.65	0'	779.03
+75	779.79	24.00'	779.41	24.00'	779.41	0'	779.79
256+00	780.48	24.00'	780.10	24.00'	780.10	0'	780.48
+25	781.11	24.00'	780.73	24.00'	780.73	0'	781.11
+50	781.67	24.00'	781.29	24.00'	781.29	0'	781.67
+75	782.17	24.00'	781.79	24.00'	781.79	0'	782.17
257+00	782.61	24.00'	782.23	24.00'	782.23	0'	782.61
+20	782.91	24.00'	782.53	24.00'	782.53	0'	782.91
+25	782.98	24.17'	782.60	24.17'	782.60	0.17'	782.98
+50	783.29	25.00'	782.93	25.00'	782.93	1.00'	783.29
+75	783.53	25.83'	783.18	25.83'	783.18	1.83'	783.53
258+00	783.71	26.67'	783.37	26.67'	783.37	2.67'	783.71
+25	783.82	27.50'	783.49	27.50'	783.49	3.50'	783.82
+50	783.87	28.34'	783.56	28.34'	783.56	4.33'	783.87
+75	783.85	29.17'	783.55	29.17'	783.55	5.17'	783.85
259+00	783.77	30.00'	783.48	30.00'	783.48	6.00'	783.77
+25	783.62	30.00'	783.33	30.00'	783.33	6.00'	783.62
+50	783.41	30.00'	783.12	30.00'	782.94	6.00'	783.50
+75	783.14	30.00'	782.85	30.00'	782.67	6.00'	783.23
260+00	782.80	30.00'	782.51	30.00'	782.33	6.00'	782.89

- JOINT LEGEND**
- ① STANDARD LONGITUDINAL JOINT
 - ② STANDARD EXPANSION JOINT
 - ③ STANDARD CONTRACTION JOINT
 - ④ LONGITUDINAL JOINT WITHOUT TIEBARS
 - ⑤ EXPANSION JOINT WITHOUT DOWELS

COLPETZER WOODS CONSULTANTS INC.
 MENTOR OHIO

STATE OF OHIO
 DEPARTMENT OF TRANSPORTATION

DESIGNED	DRAWN	TRACED	CHECKED	REVIEW DATE	REVISED