

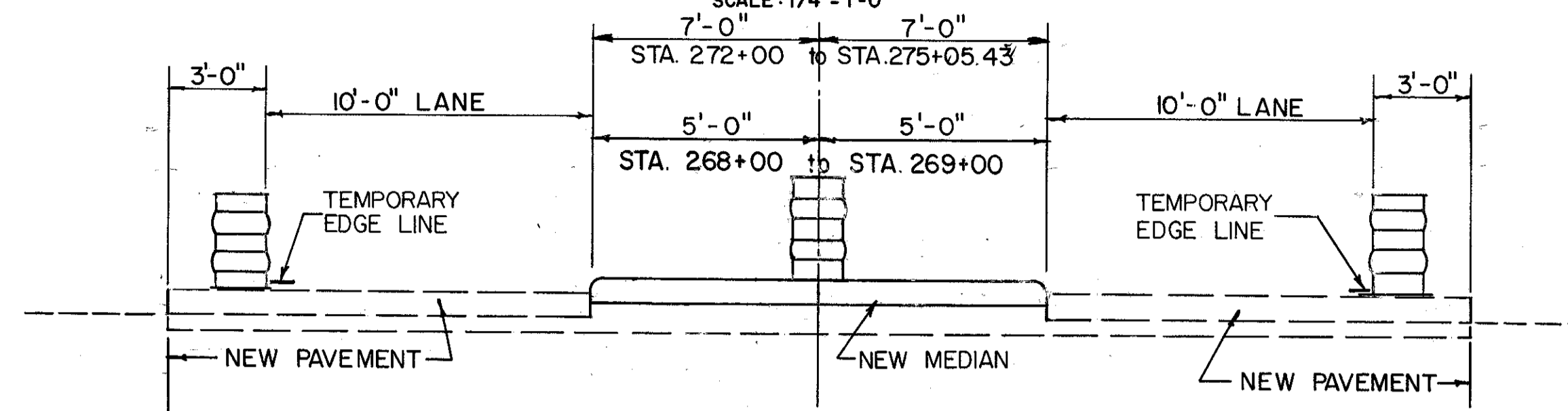
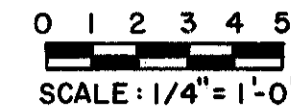
# MAINTENANCE OF TRAFFIC

FED. RD DIVISION	STATE	PROJECT	FISCAL YEAR
5	OHIO		

10  
73

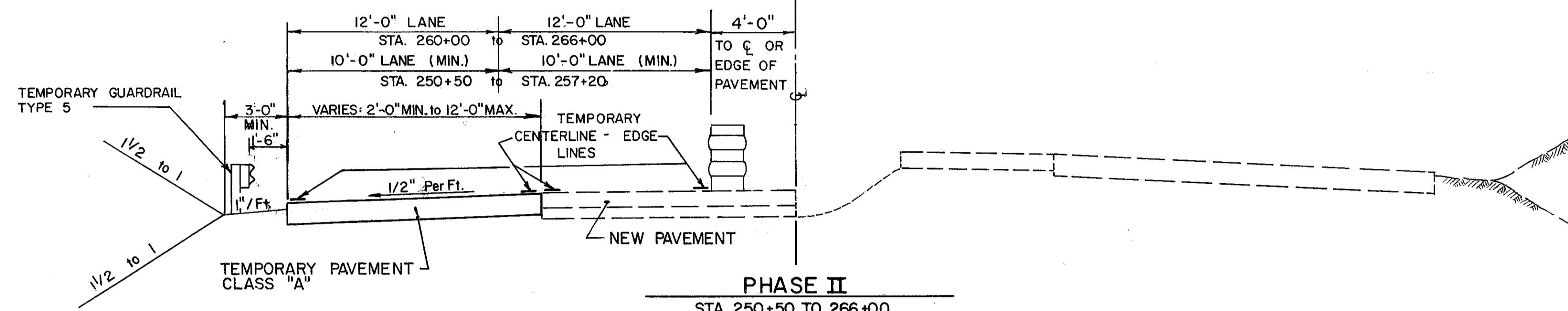
LAKE COUNTY  
LAK-306-4.74

## "TYPICAL SECTIONS"



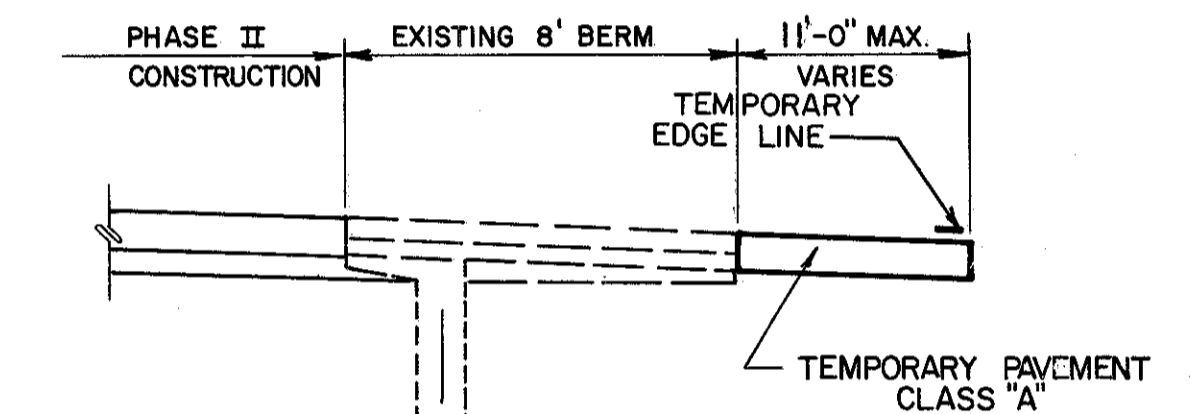
### PHASE II

STA. 268+00 TO 275+05.42



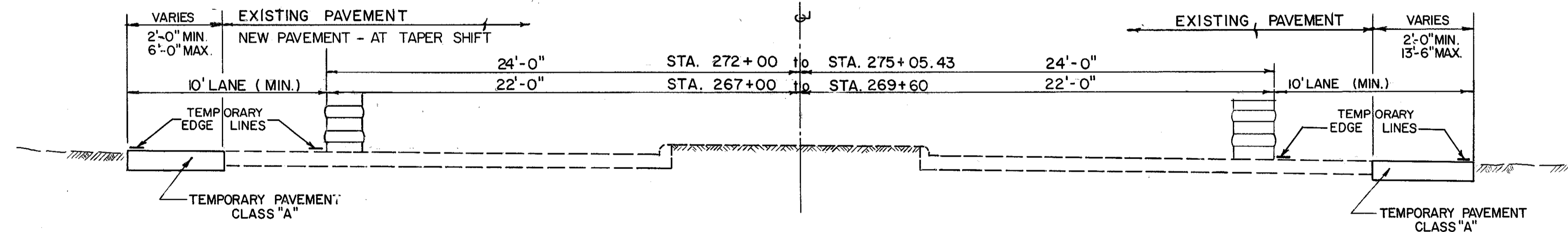
### PHASE II

STA. 250+50 TO 266+00



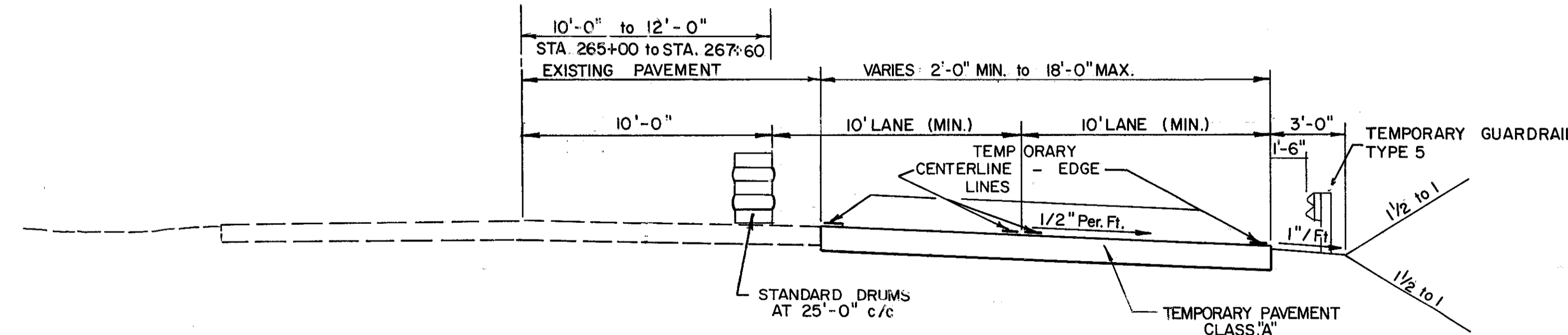
### PHASE II CONSTRUCTION - RAMP "D"

STA. 9+52 TO 10+20



### PHASE I

STA. 267+00 TO 275+05.43



### PHASE I

STA. 250+50 TO 267+60

COLPETZER WOODS CONSULTANTS INC.  
MENTOR, OHIO

STATE OF OHIO  
DEPARTMENT OF TRANSPORTATION

DESIGNED	DRAWN	TRACED	CHECKED	REVIEW DATE	REVISED