

# TYPICAL SECTIONS

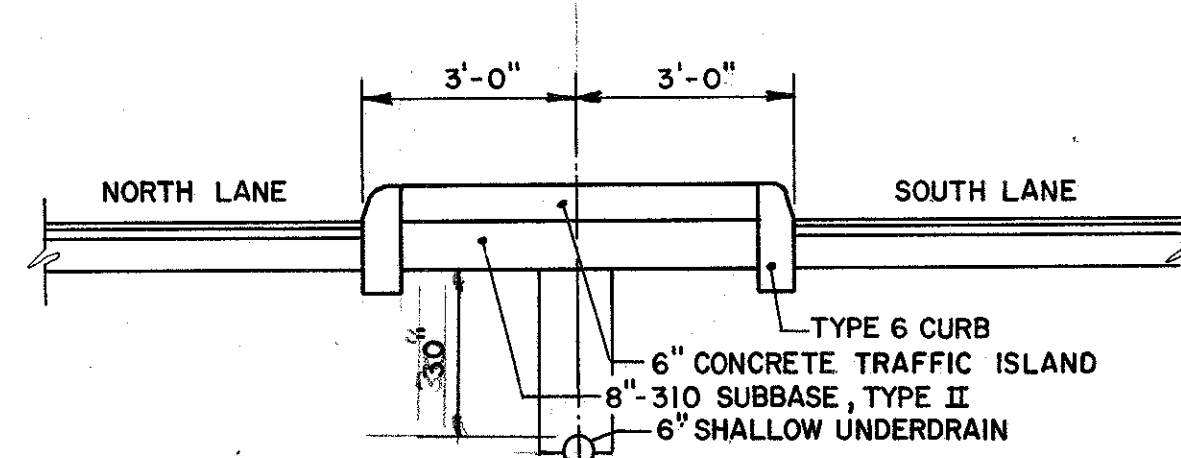
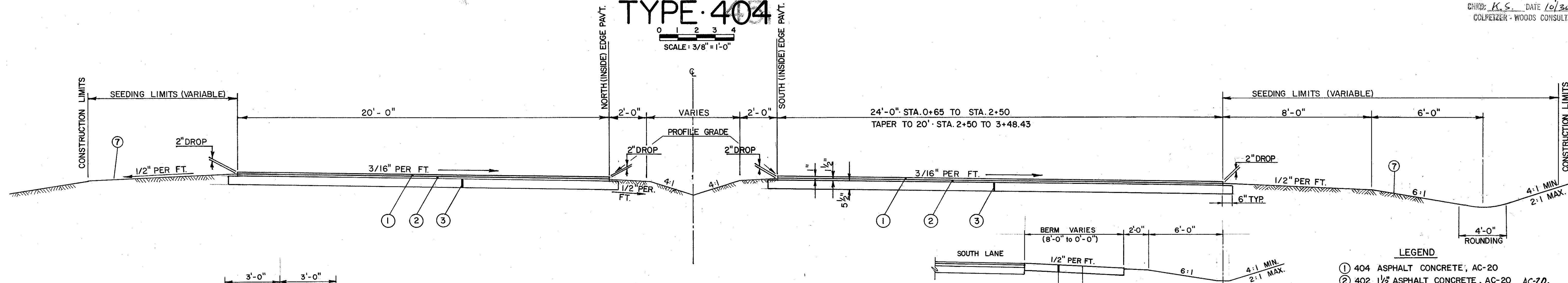
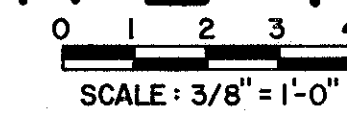
FED. RD. DIVISION	STATE	PROJECT	FISCAL YEAR
5	OHIO		

LAKE COUNTY  
LAK-306-4.74

QUANTITY CALCULATIONS  
BY: DA DATE 5/17/81  
CHKD: K.S. DATE 10/30/81  
COLPETZER - WOODS CONSULTANTS

6  
73

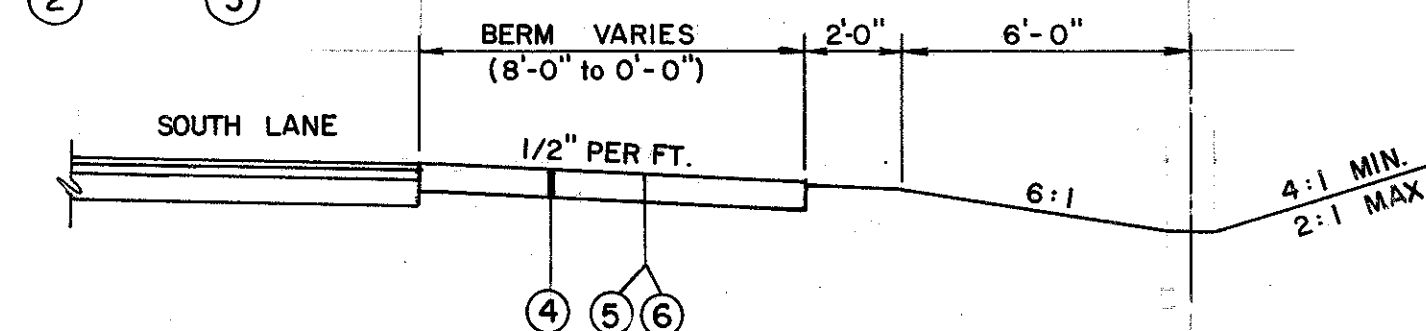
## TYPE 404



**CONCRETE TRAFFIC ISLAND**  
STA. 0+50 to 1+00

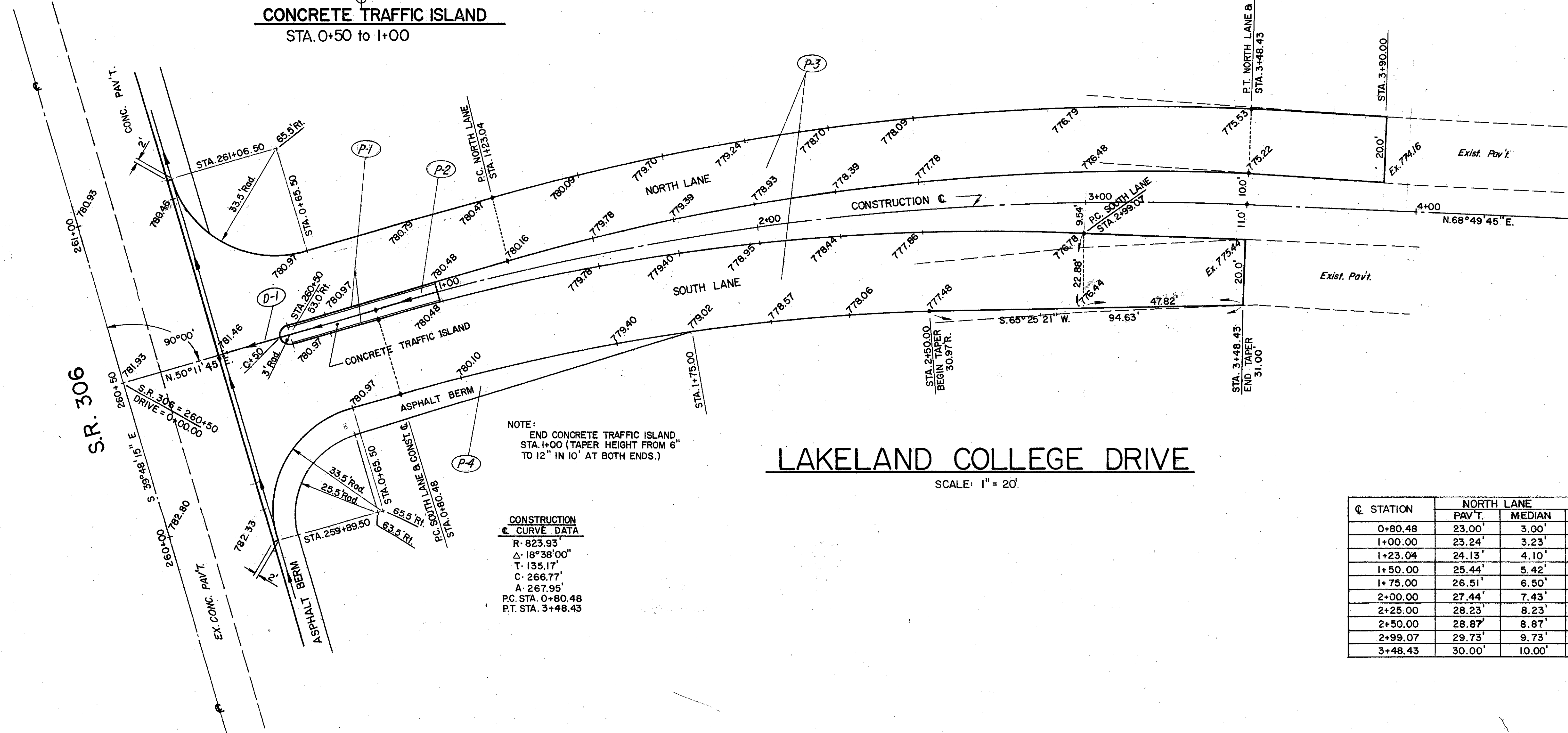
## LAKELAND COLLEGE DRIVE

SCALE: 3/8" = 1'-0"



**PAVED BERM SECTION**  
STA. 0+30 to 1+75

- LEGEND**
- ① 404 ASPHALT CONCRETE, AC-20
  - ② 402 1 1/2" ASPHALT CONCRETE, AC-20 AC-20
  - ③ 301 5/2" BITUMINOUS AGGREGATE BASE, RT-11 or RT-12
  - ④ 301 5" BITUMINOUS AGGREGATE BASE, RT-11 or RT-12
  - ⑤ 409 SEAL COAT BITUMINOUS MATERIAL AT 0.30 GAL./SQ. YD.
  - ⑥ 409 SEAL COAT COVER AGGREGATE, No. 8 AT 0.008 C.Y./SQ. YD.
  - ⑦ 659 SEEDING AND MULCHING (See General Note)



## LAKELAND COLLEGE DRIVE

SCALE: 1" = 20'

NOTE: END CONCRETE TRAFFIC ISLAND STA. 1+00 (TAPER HEIGHT FROM 6" TO 12" IN 10' AT BOTH ENDS.)

**CONSTRUCTION CURVE DATA**  
R- 823.93'  
Δ- 18°38'00"  
T- 135.17'  
C- 266.77'  
A- 267.95'  
P.C. STA. 0+80.48  
P.T. STA. 3+48.43

603	6" CONDUIT, TYPE B	L.F.			18		18
409	SEAL COAT COVER AGGREGATE	C.Y.					
409	SEAL COAT BITUMINOUS MATERIAL	GAL.		29.8	0.8		
605	6" SHALLOW UNDERDRAIN	L.F.			50		50
612	6" CONCRETE TRAFFIC ISLAND	SQ. YD.	277				277
609	TYPE 6 CONC. CURB	L.F.	94				94
404	ASPHALTIC CONC.	C.Y.		47.4			47.4
402	ASPHALTIC CONC.	C.Y.		71.0			71.0
310	8" SUBBASE, TYPE II	C.Y.	6.2				6.2
301	BITUMINOUS AGGREGATE BASE	C.Y.	29.8	13.8			29.8
<b>TOTALS</b>							

STATION	NORTH LANE		SOUTH LANE	
	PAV'T.	MEDIAN	PAV'T.	MEDIAN
0+80.48	23.00'	3.00'	27.00'	3.00'
1+00.00	23.24'	3.23'	27.05'	3.05'
1+23.04	24.13'	4.10'	27.25'	3.25'
1+50.00	25.44'	5.42'	27.67'	3.67'
1+75.00	26.51'	6.50'	28.24'	4.23'
2+00.00	27.44'	7.43'	28.98'	4.97'
2+25.00	28.23'	8.23'	29.89'	5.87'
2+50.00	28.87'	8.87'	30.97'	6.95'
2+99.07	29.73'	9.73'	32.42'	9.54'
3+48.43	30.00'	10.00'	31.00'	11.00'

COLPETZER-WOODS CONSULTANTS, INC.  
MENTOR, OHIO

STATE OF OHIO  
DEPARTMENT OF TRANSPORTATION

DESIGNED	DRAWN	TRACED	CHECKED	REVIEW DATE	REVISED