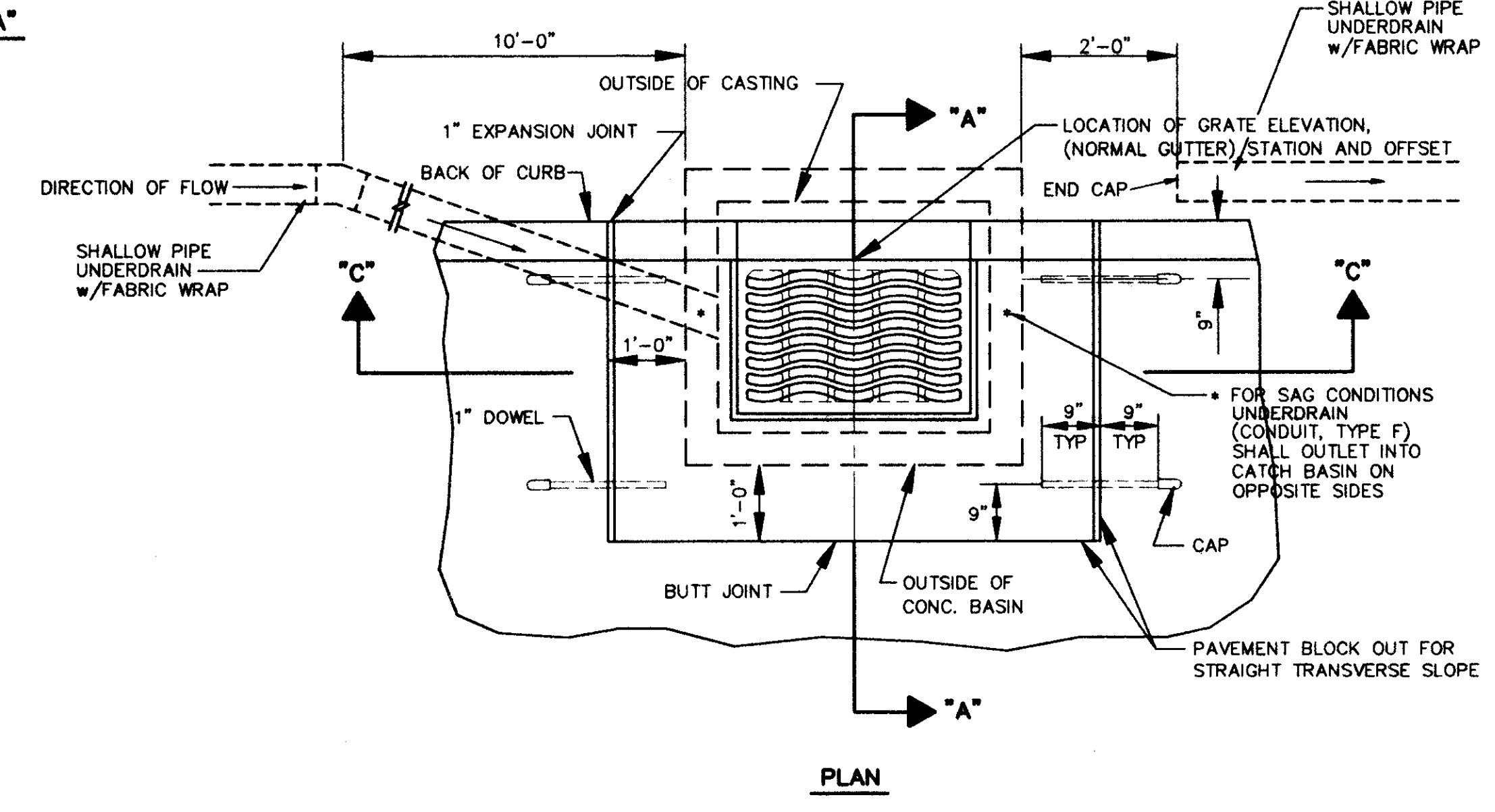
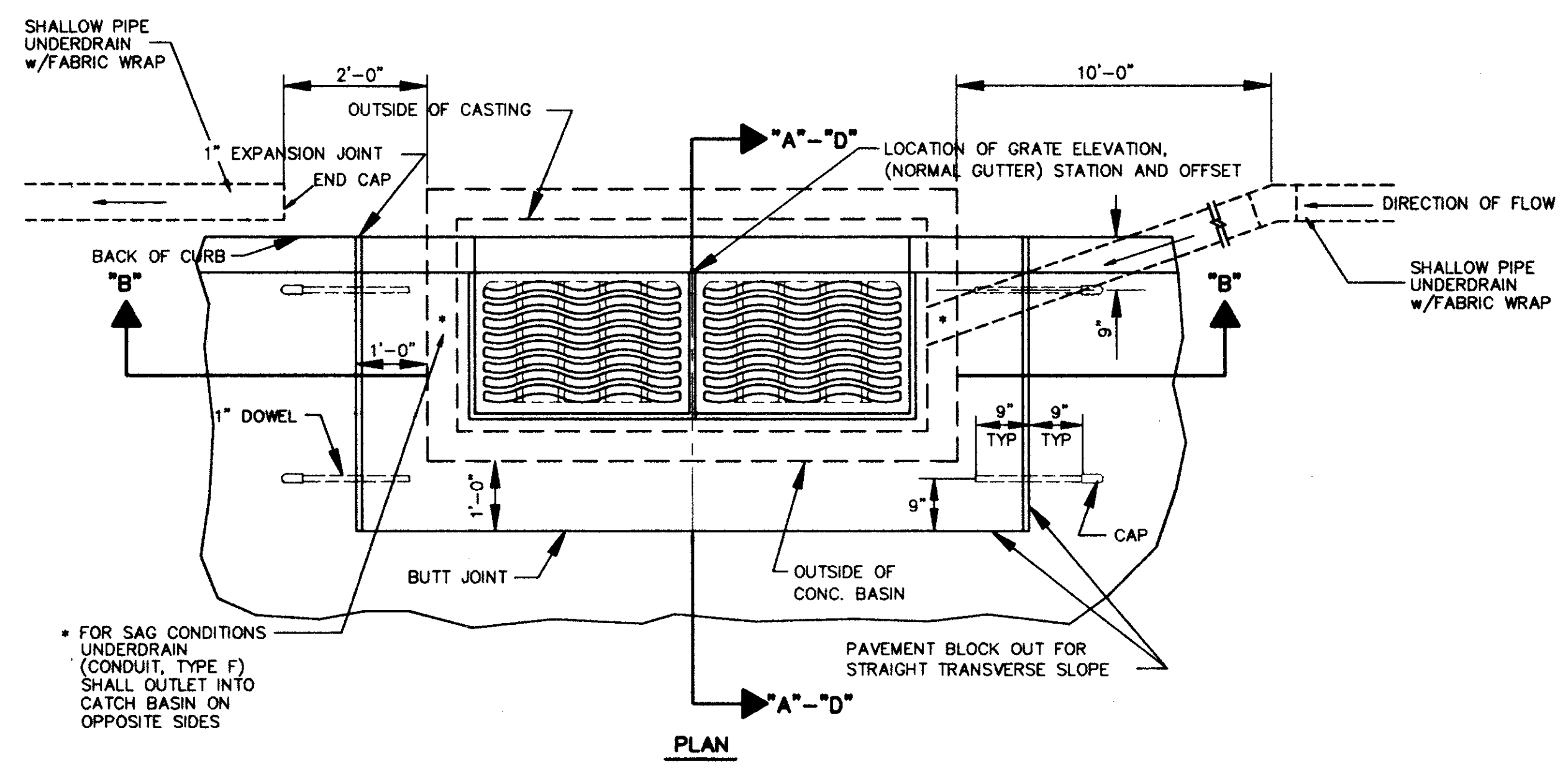
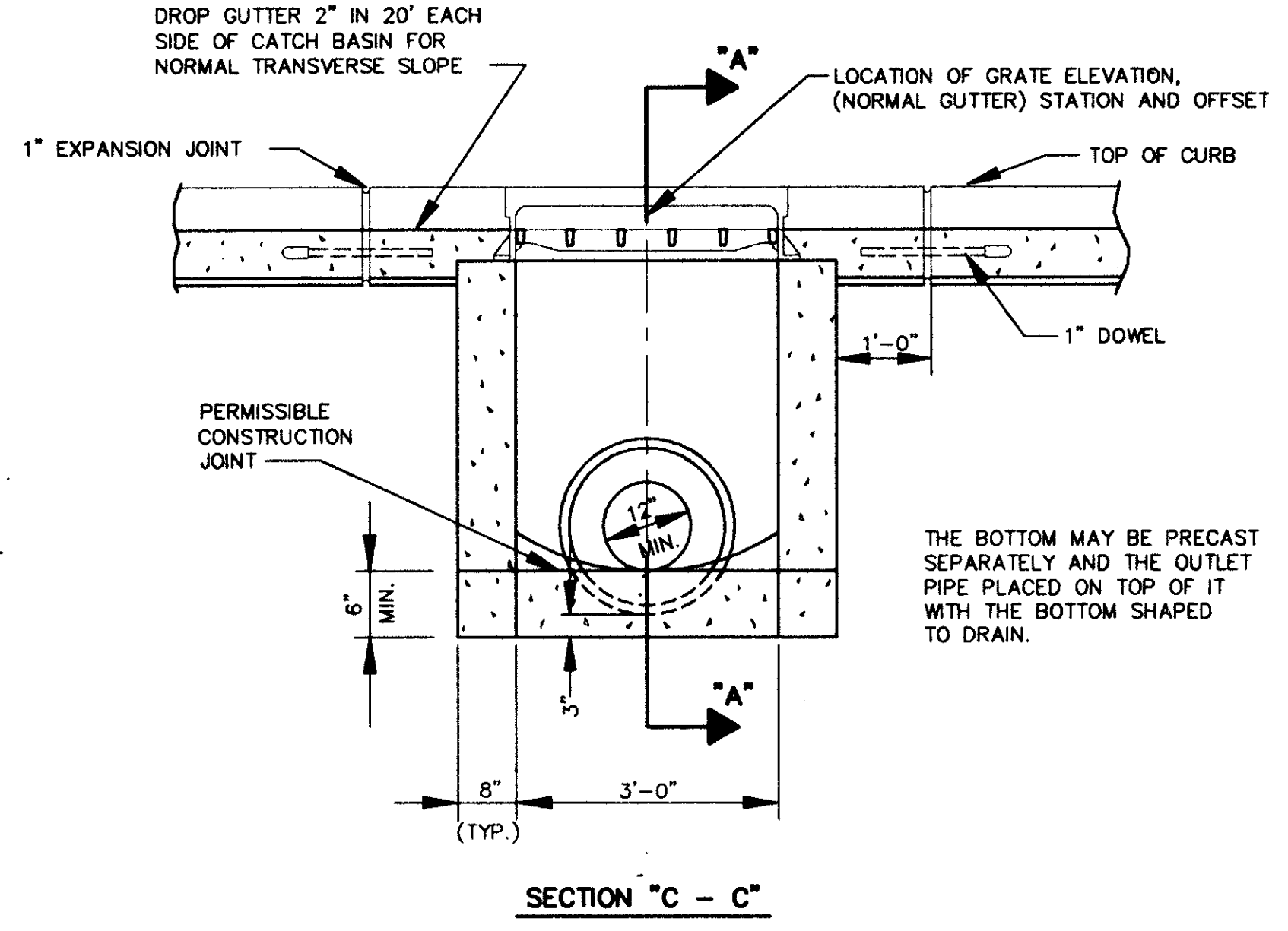
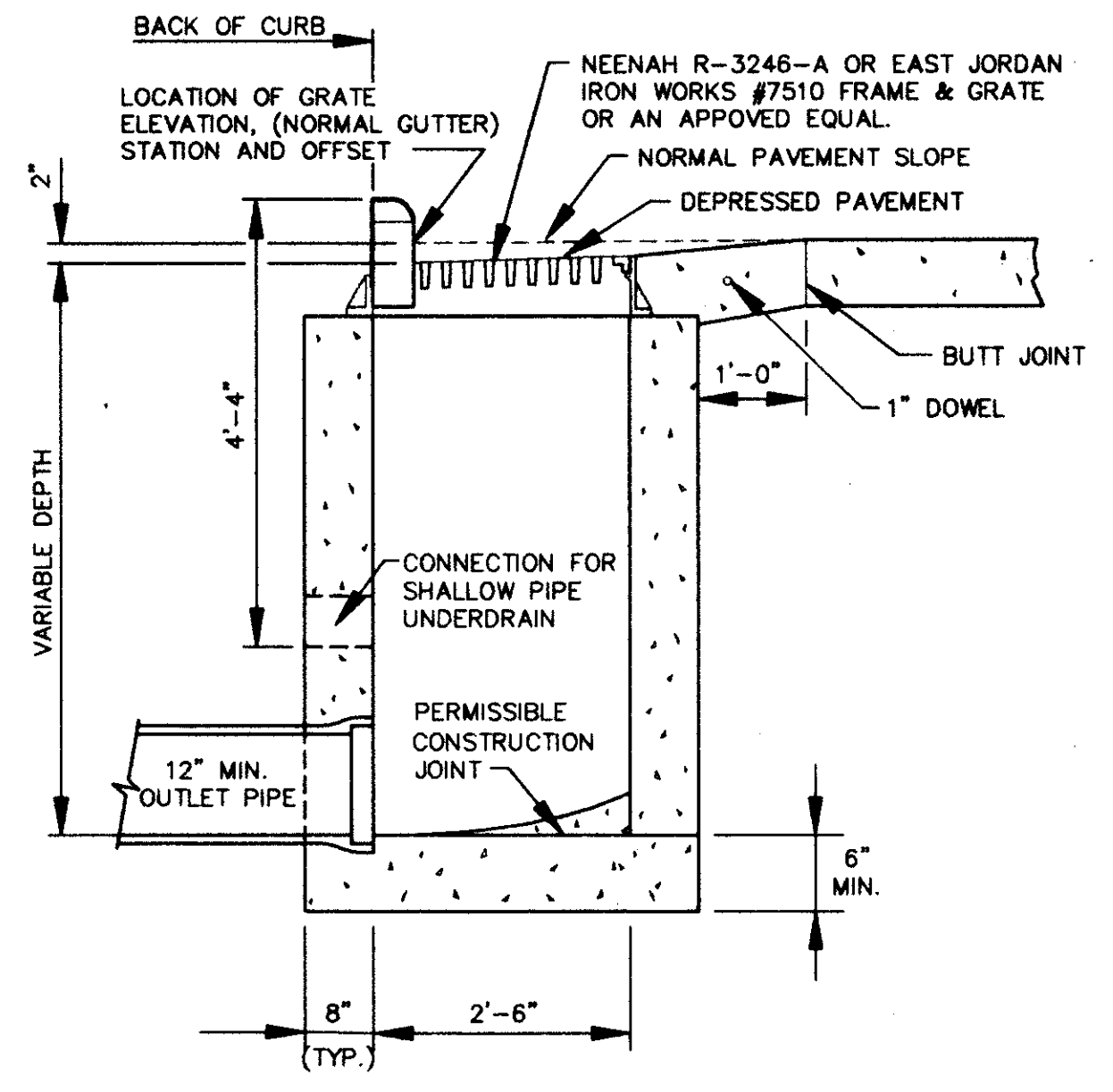
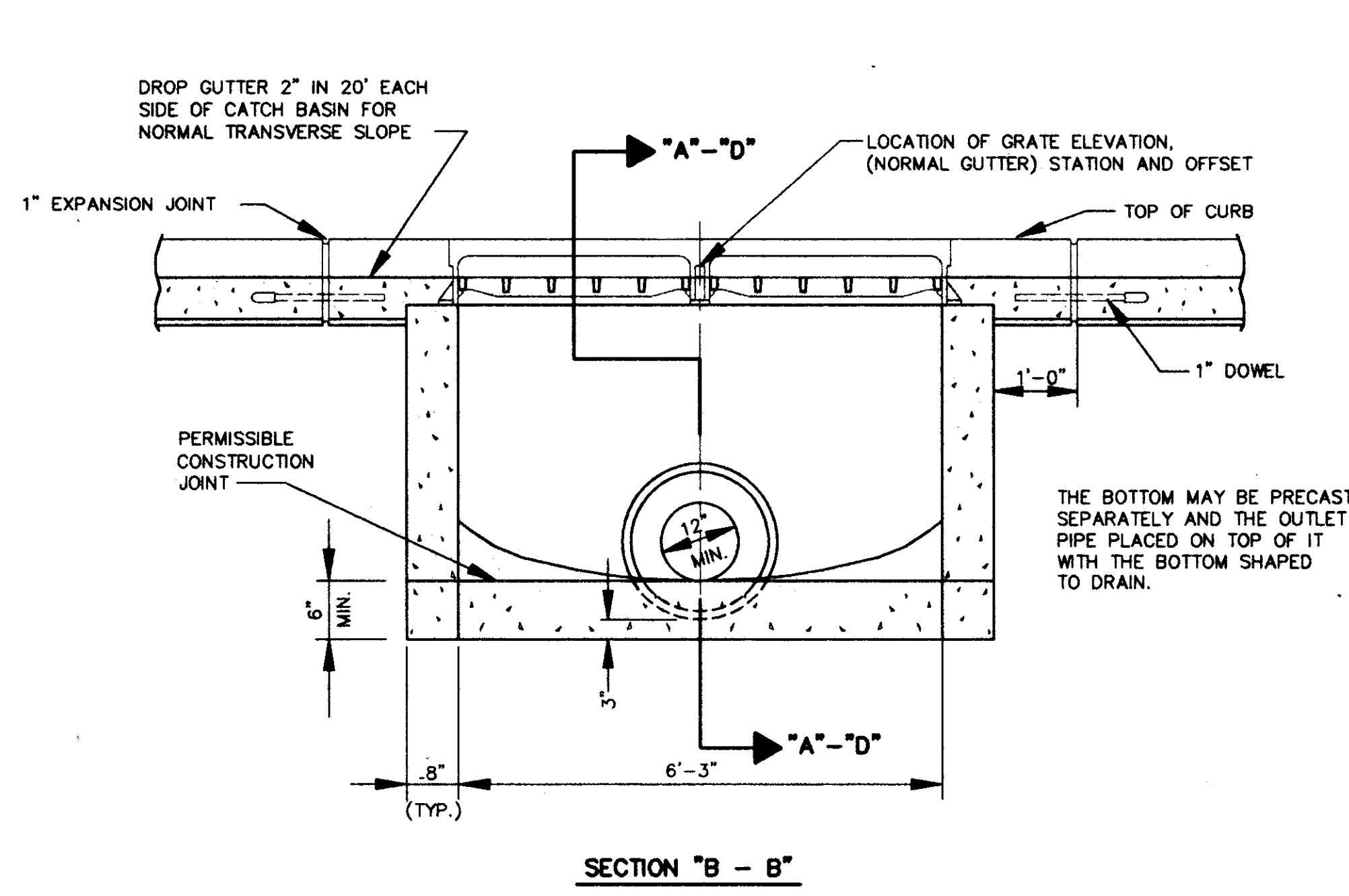


# DRAINAGE DETAILS



CATCH BASIN, NO. 3, AS PER PLAN

CATCH BASIN, NO. 3A, AS PER PLAN

COPYRIGHT - DATE: 01-09-88 18-45, CT CONSULTANTS INC. C:\P2467\SYMETH.DWG Scale: 3/4" = 1'