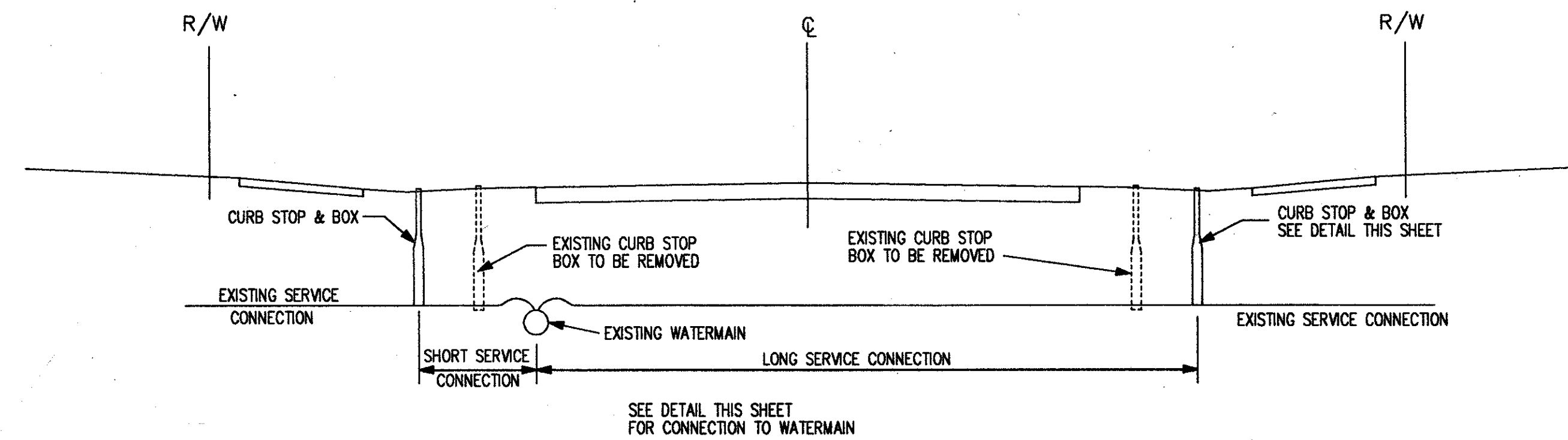
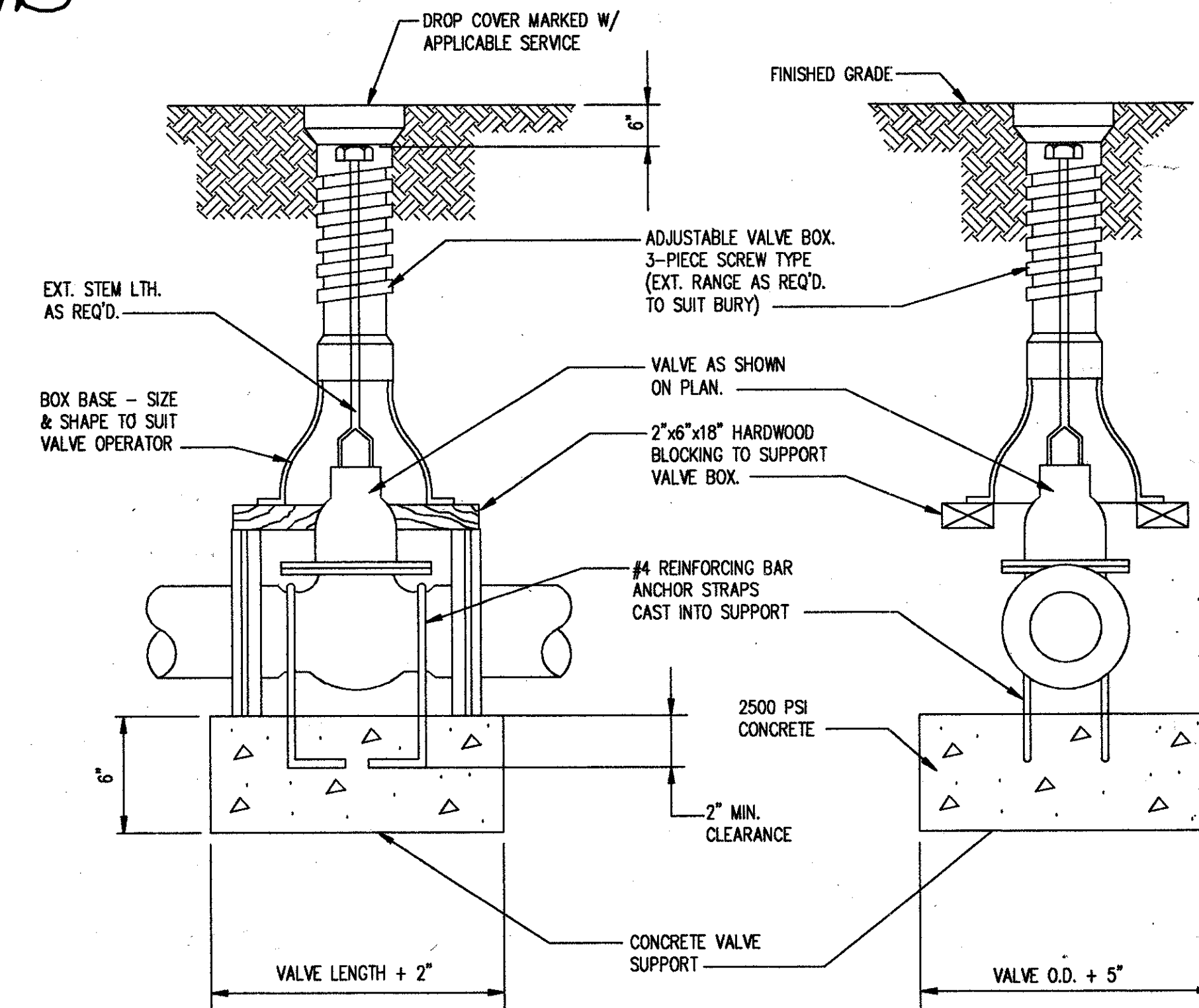


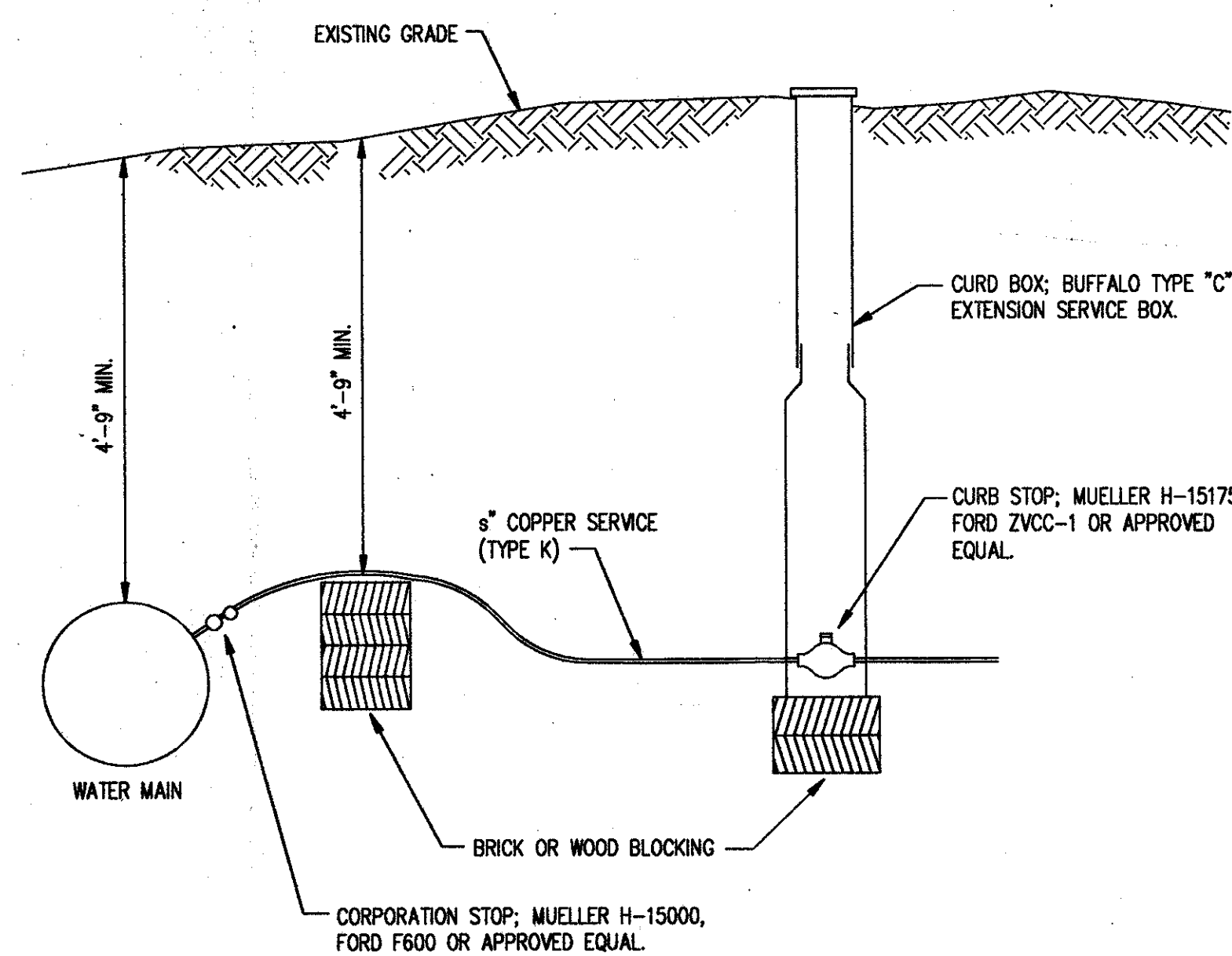
WATERWORK DETAILS



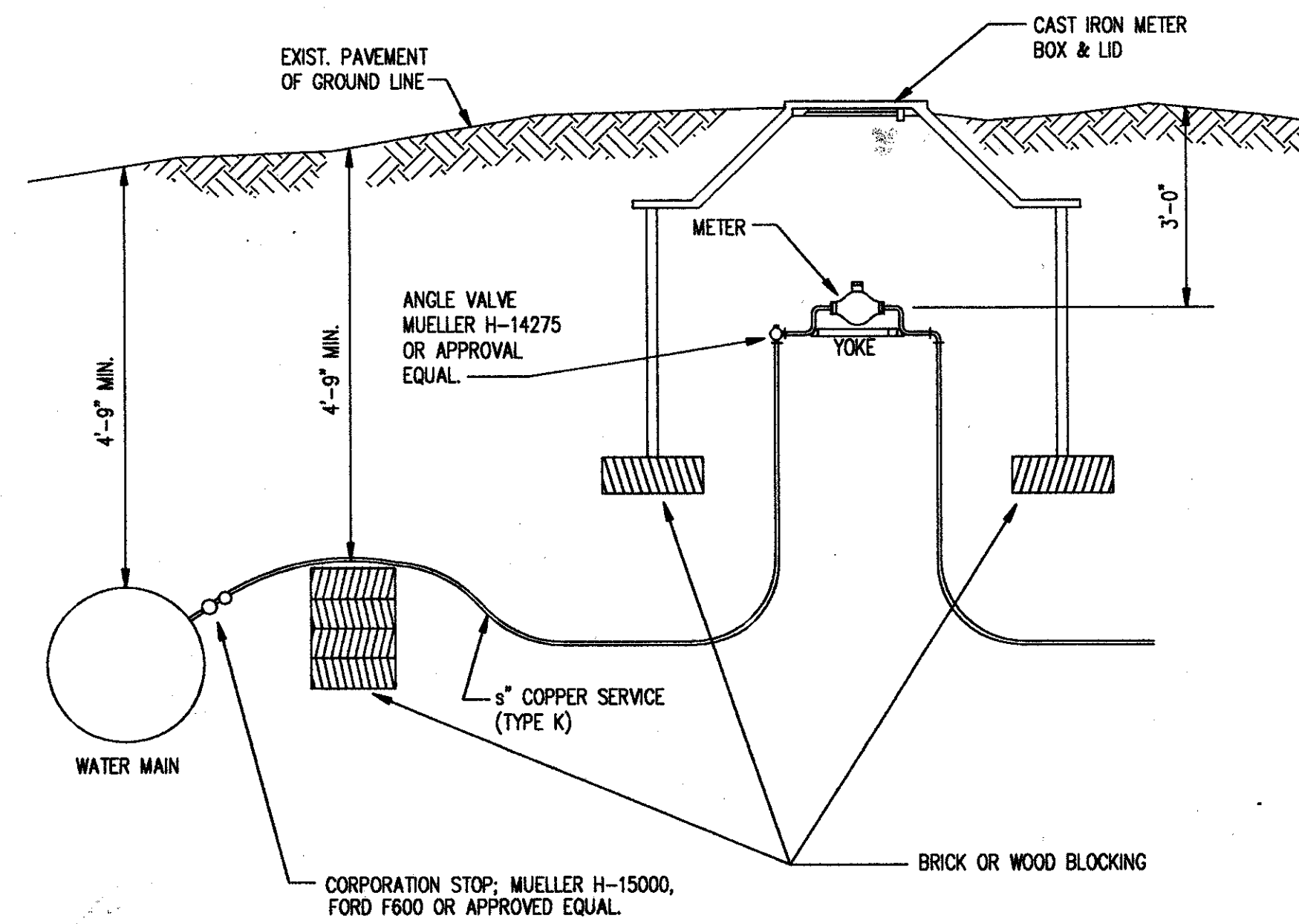
LONG & SHORT SERVICE CONNECTIONS



TYPICAL VALVE AND VALVE BOX SETTING



SERVICE TIE-IN FOR INSIDE METER

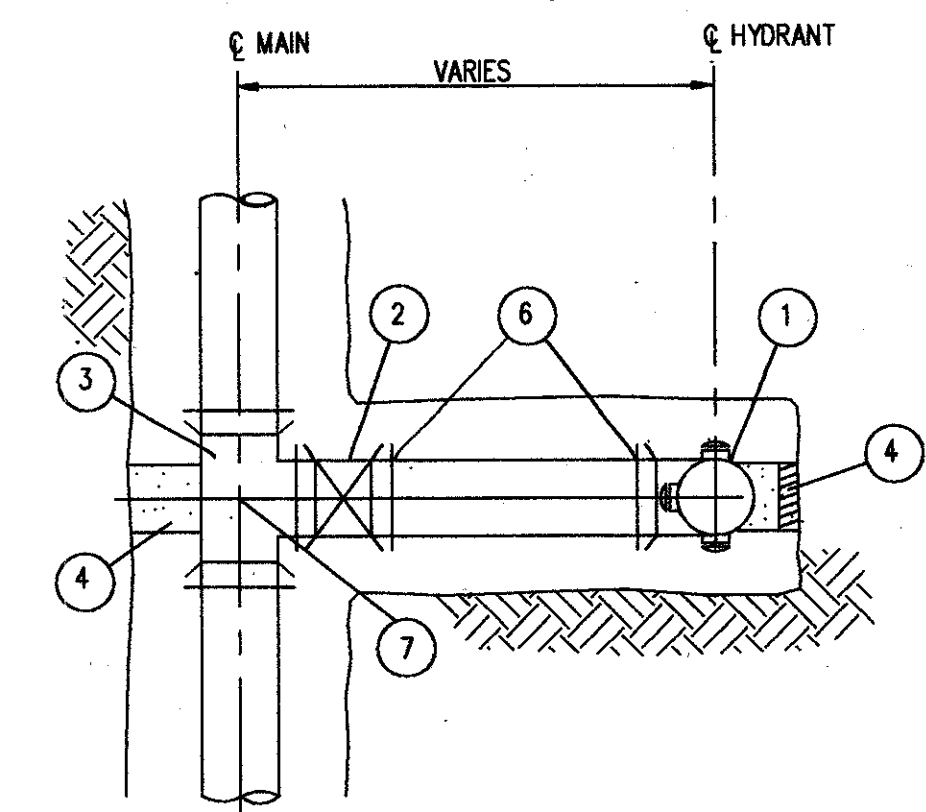


SERVICE TIE IN FOR OUTSIDE METER

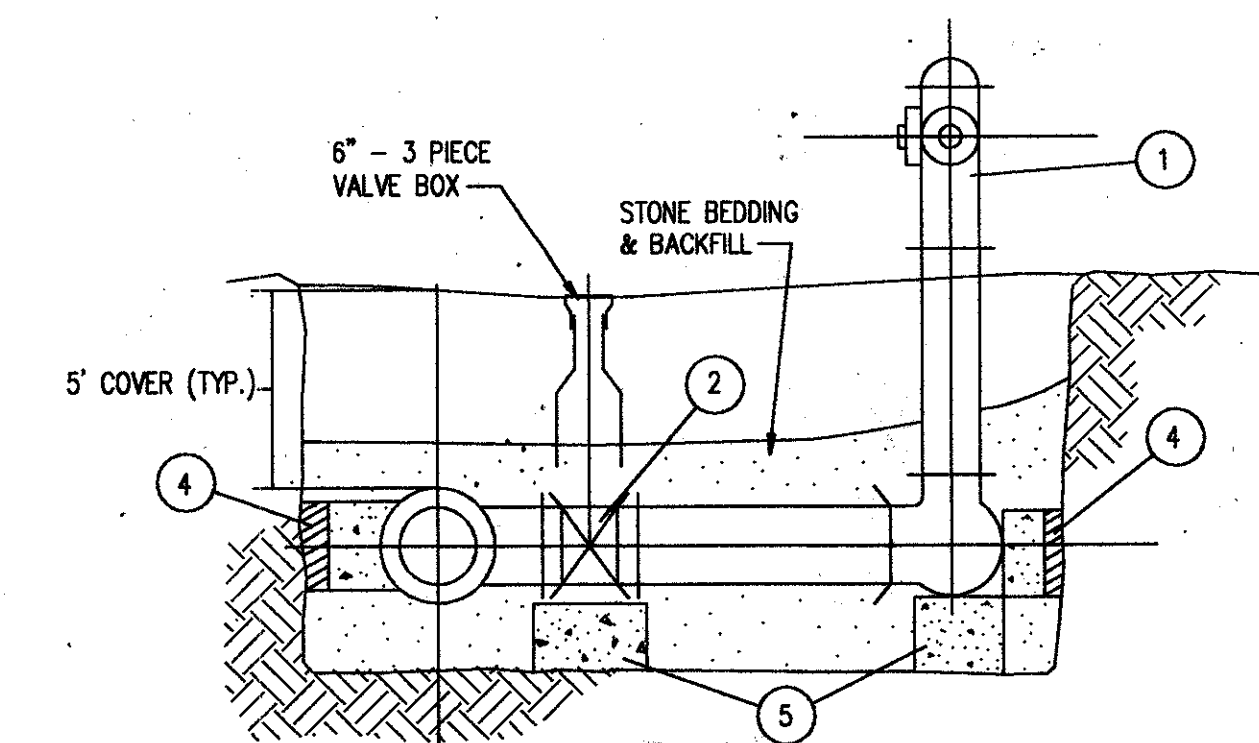
LEGEND

- ① HYDRANT, PER LAKE COUNTY UTILITY DEPARTMENT SPECIFICATIONS
- ② 6" RESILIENT WEDGE GATE VALVE
- ③ ANCHORING TEE
- ④ CONCRETE BLOCKING WITH OAK WEDGES AGAINST UNDISTURBED EARTH
- ⑤ CONCRETE SUPPORT BLOCKING
- ⑥ RETAINER GLANDS
- ⑦ PLAN STATION & OFFSET

NOTE:
HYDRANT SHALL BE PRESSURE TESTED AGAINST FOOT VALVE, HYDRANT BONNET, CAPS, AND EXTENSIONS SHALL BE TESTED FOR LEAKS AT STATIC PRESSURE.



TYPE "A" HYDRANT ASSEMBLY



TYPICAL HYDRANT ASSEMBLY ELEVATION

LAK-283-6.79