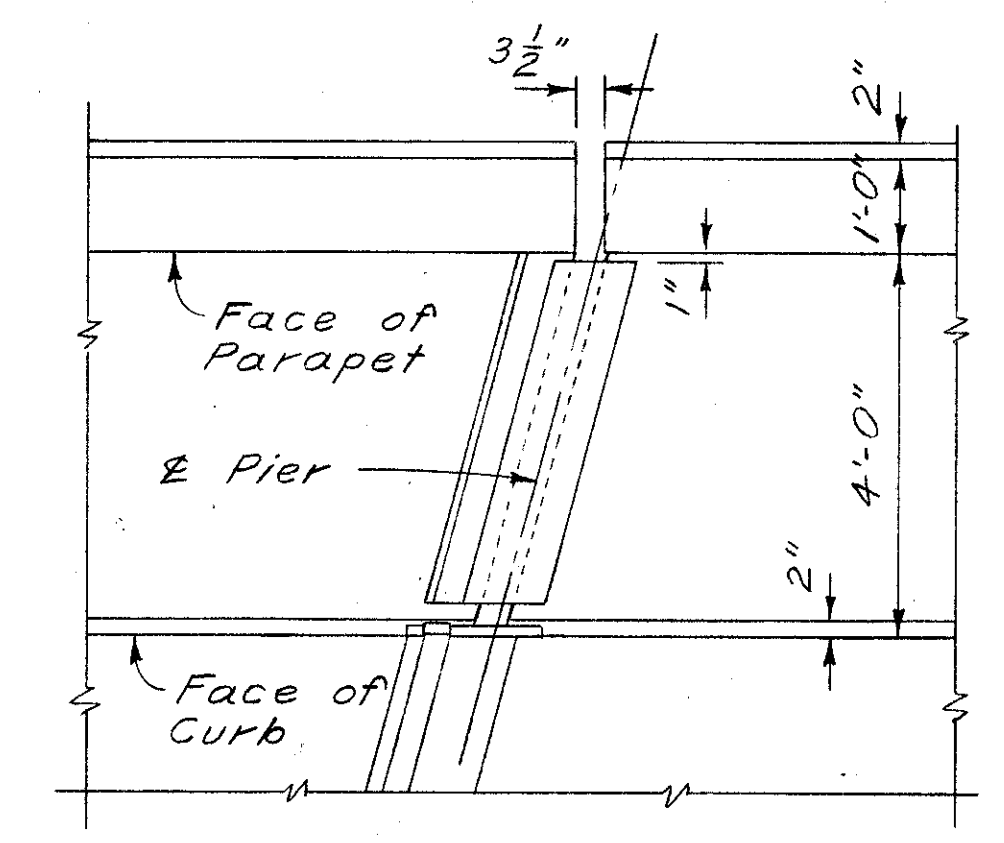
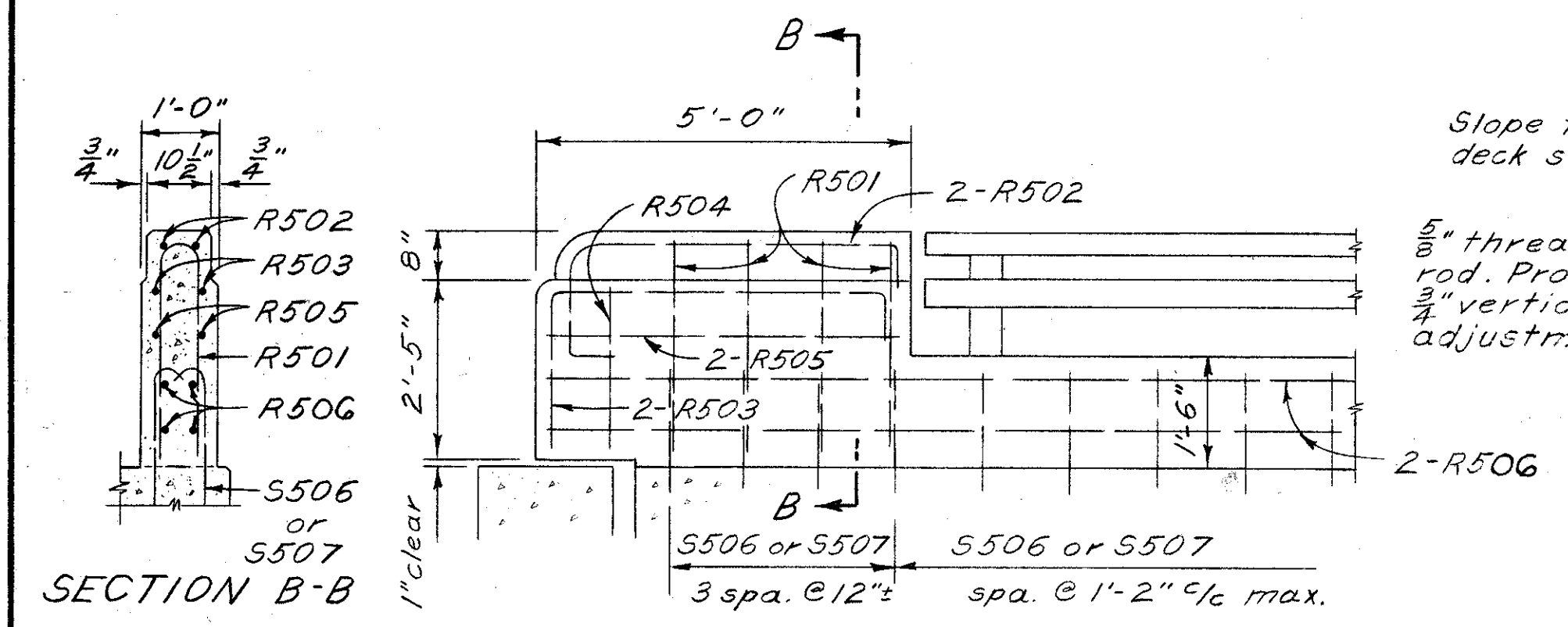


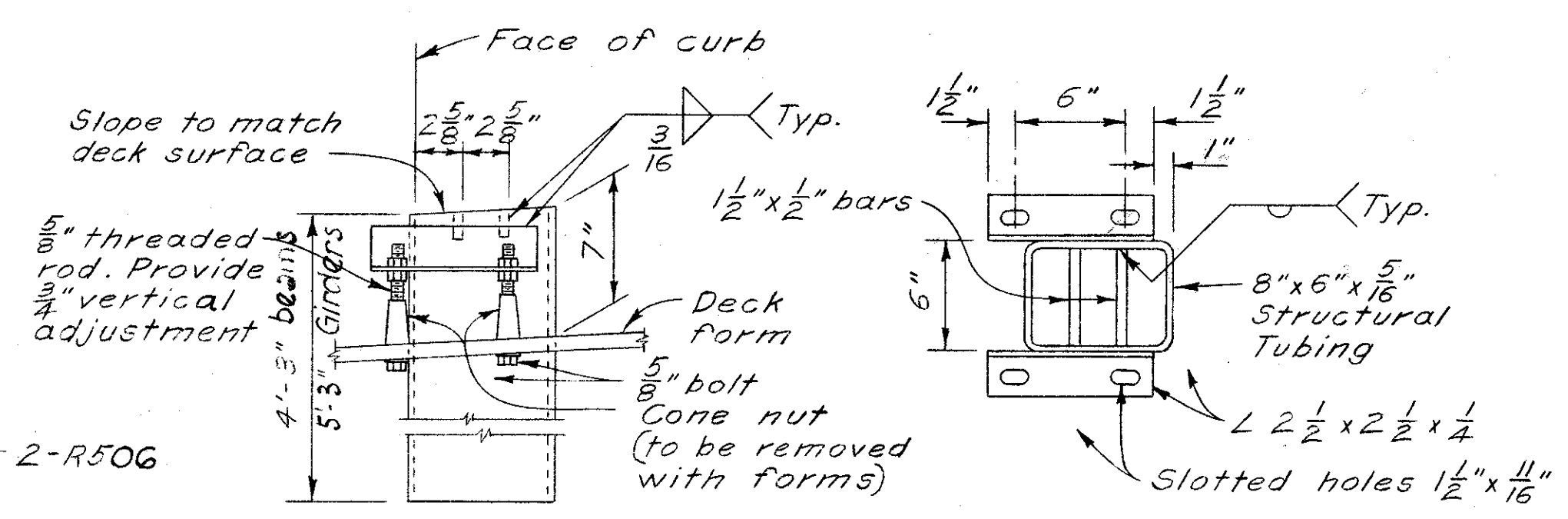
PART PLAN AT REAR ABUTMENT



PART PLAN AT PIERS

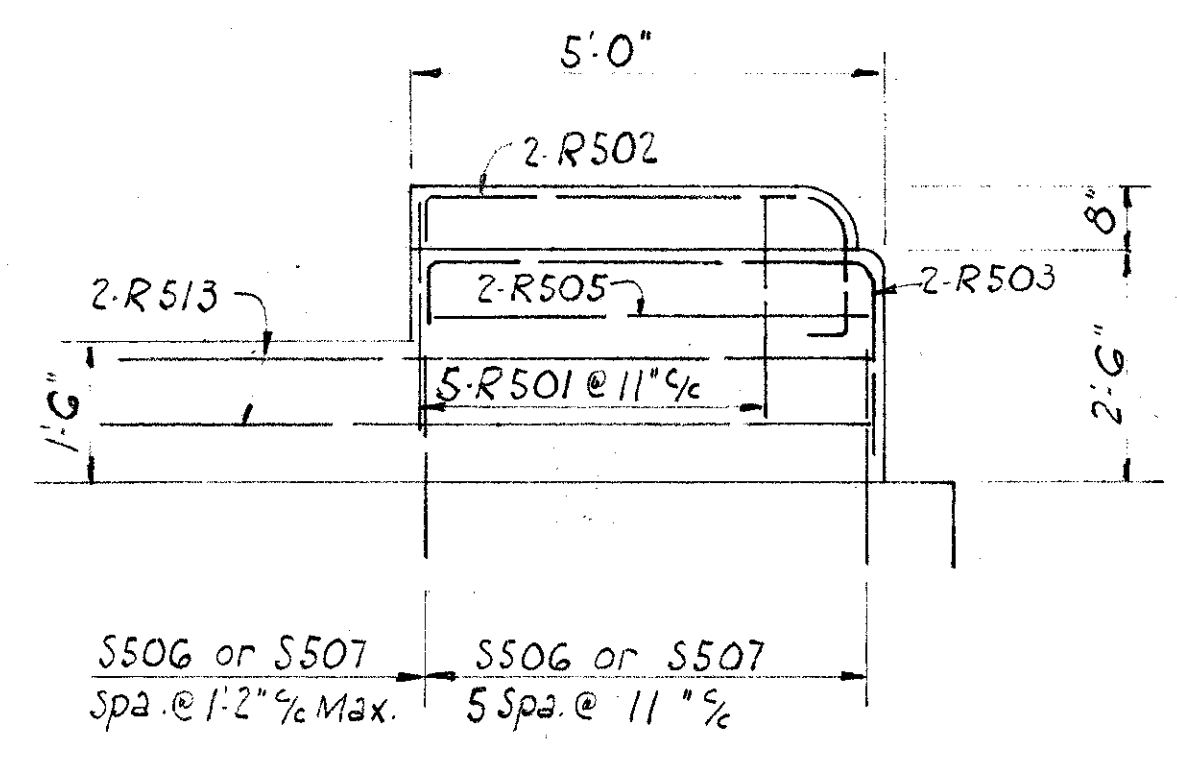


SECTION A-A
For additional details see Standard Drawing BR-2-67

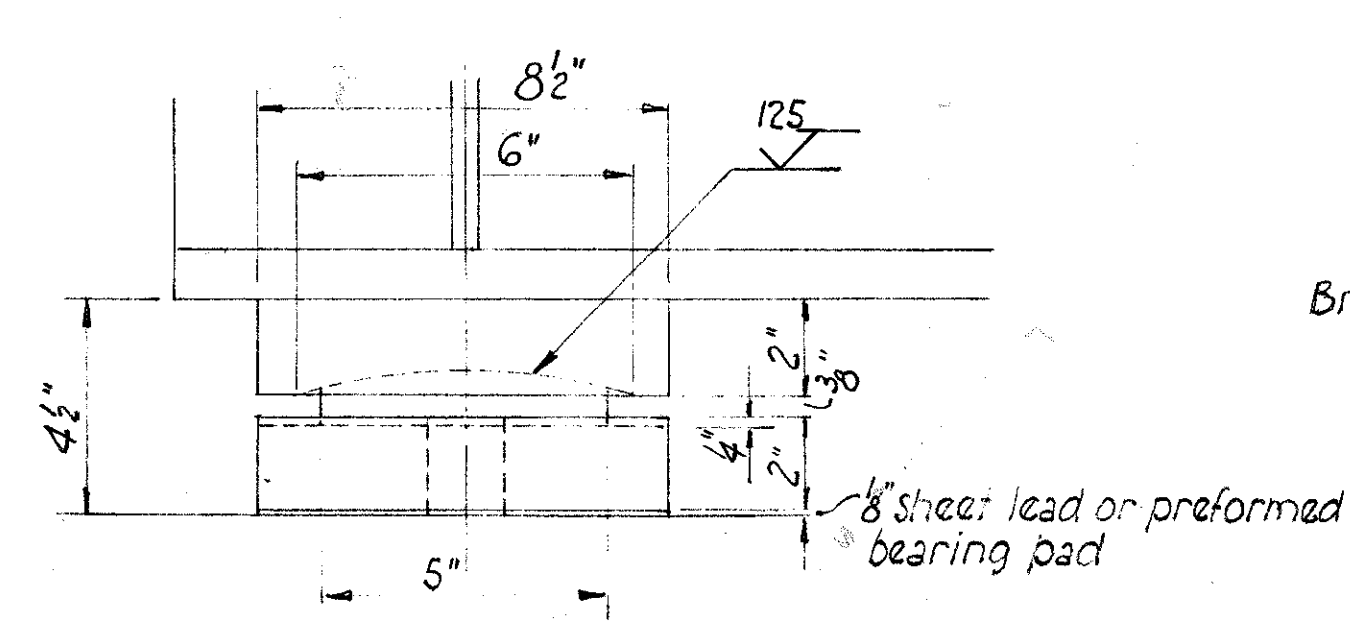


ELEVATION PLAN
SCUPPER DETAILS

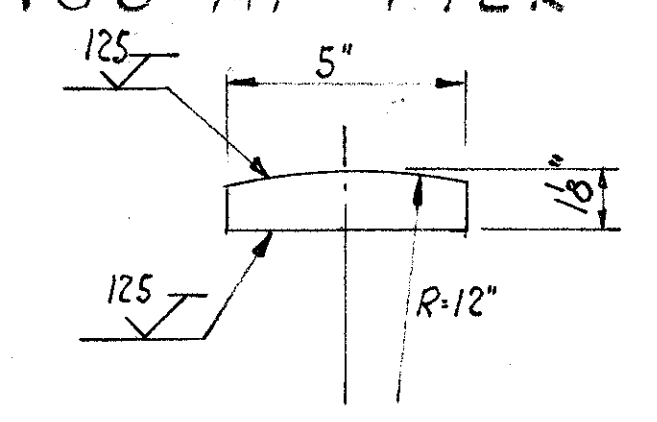
Scuppers, including support angles, shall be galvanized in accordance with 711



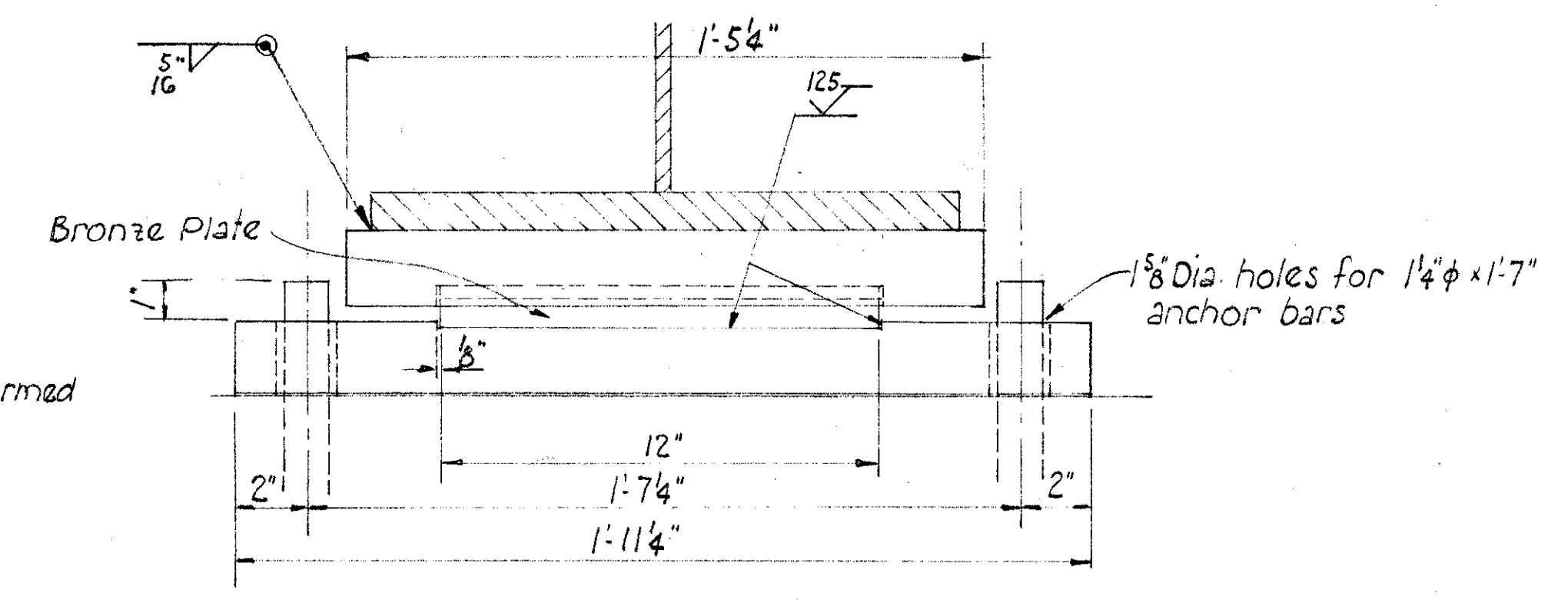
PARAPET END AT FWD. ABUTMENT



GIRDER BEARINGS AT PIER 3



SELF LUBRICATING BRONZE PLATE



STATE OF OHIO DEPARTMENT OF HIGHWAYS DIVISION OF DESIGN AND CONSTRUCTION BUREAU OF BRIDGES						9/9
MISCELLANEOUS DETAILS						
BRIDGE No. LAK-283-0472 OVER CHAGRIN RIVER						
DESIGNED	DRAWN	TRACED	CHECKED	REVIEWED	DATE	REVISED
FFE	FFE		WCK	BFG	7-22-70	