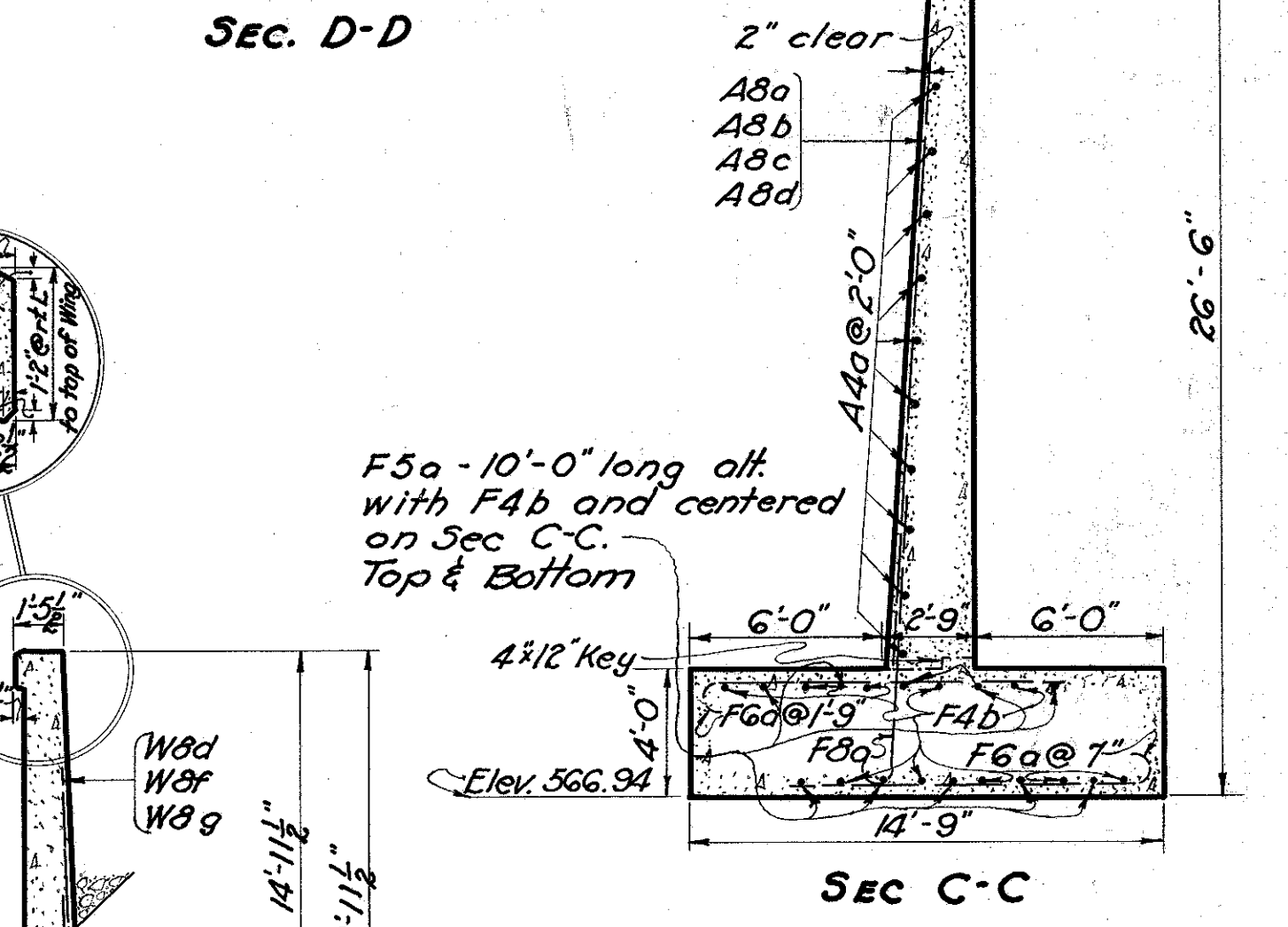
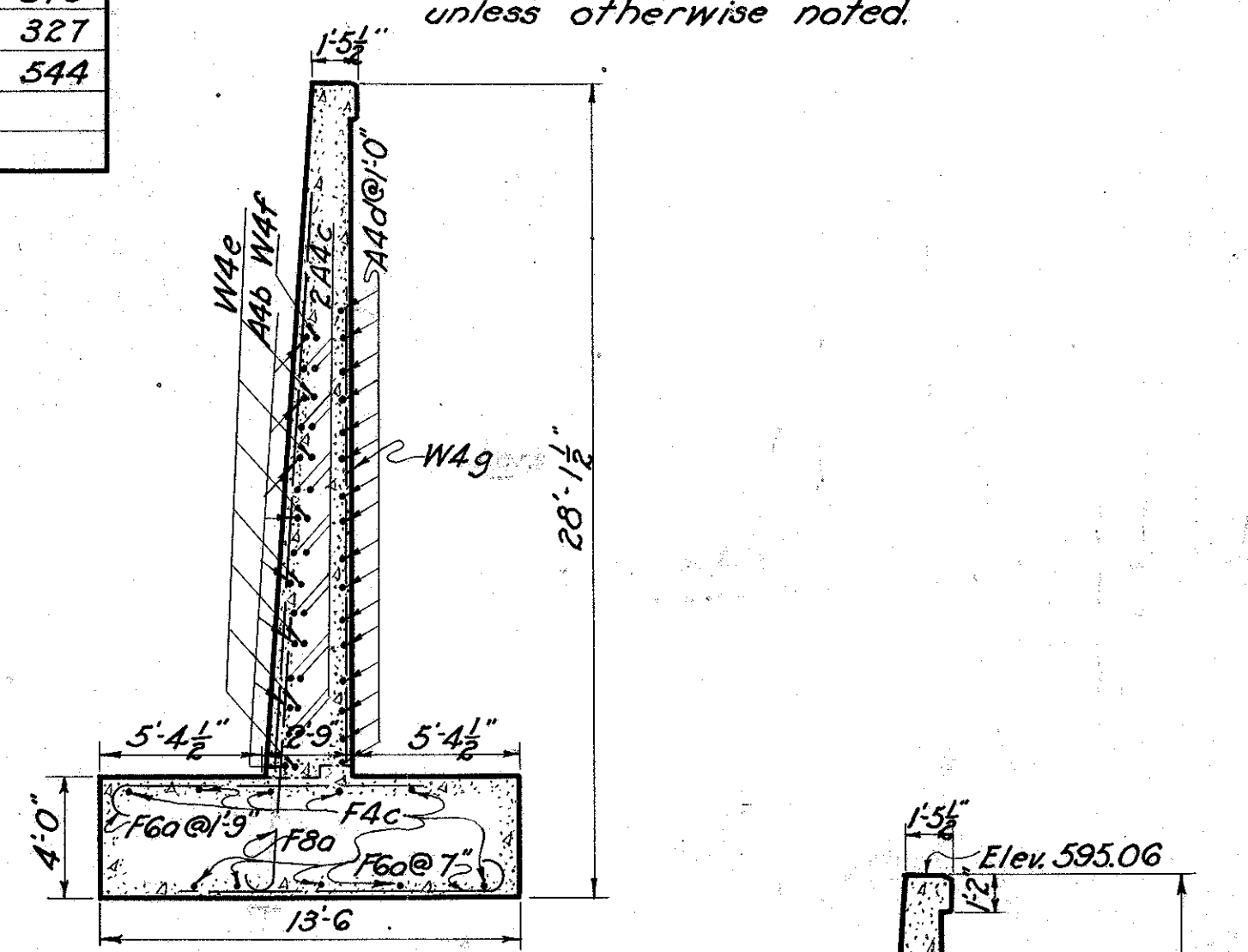
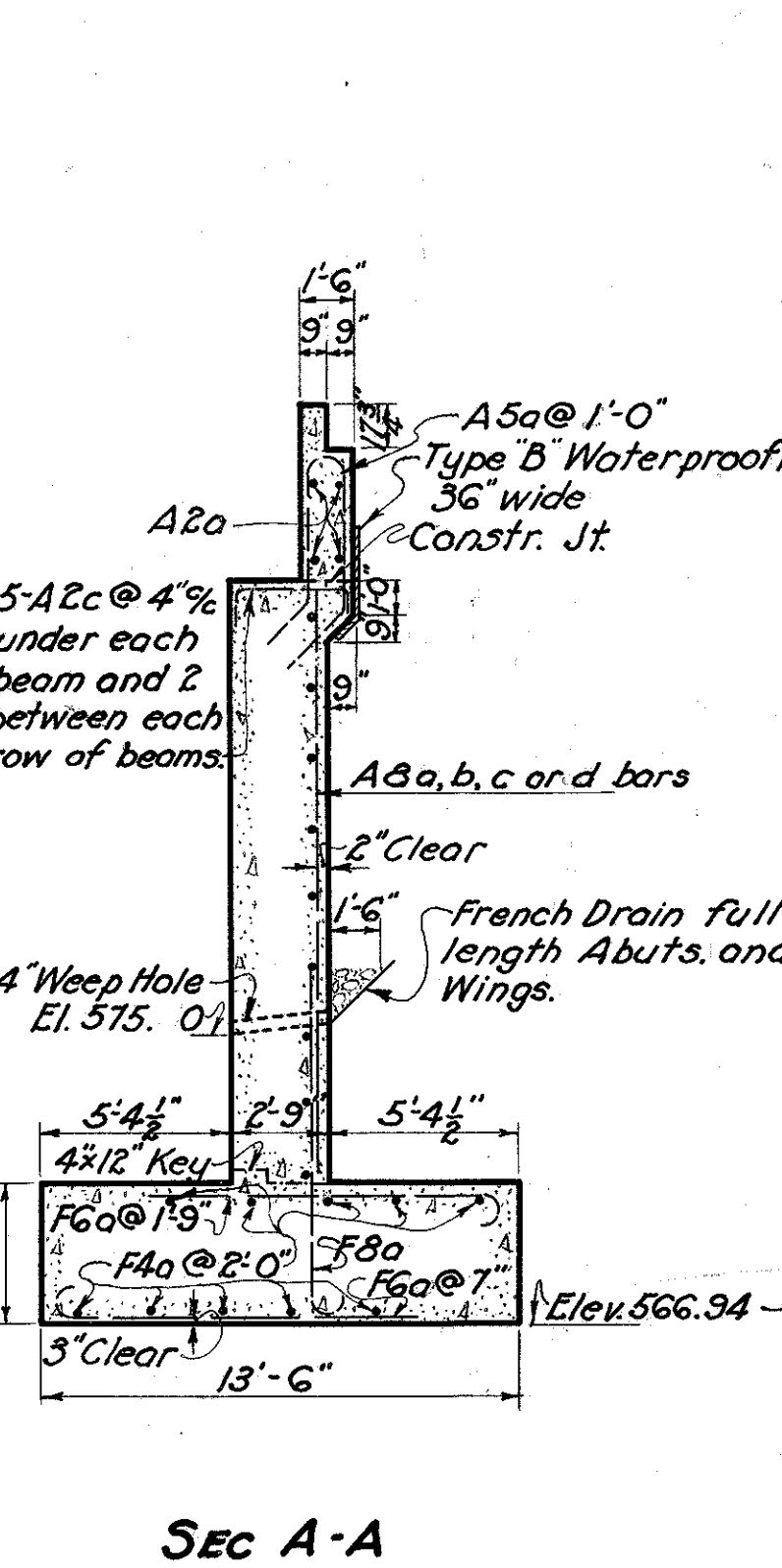
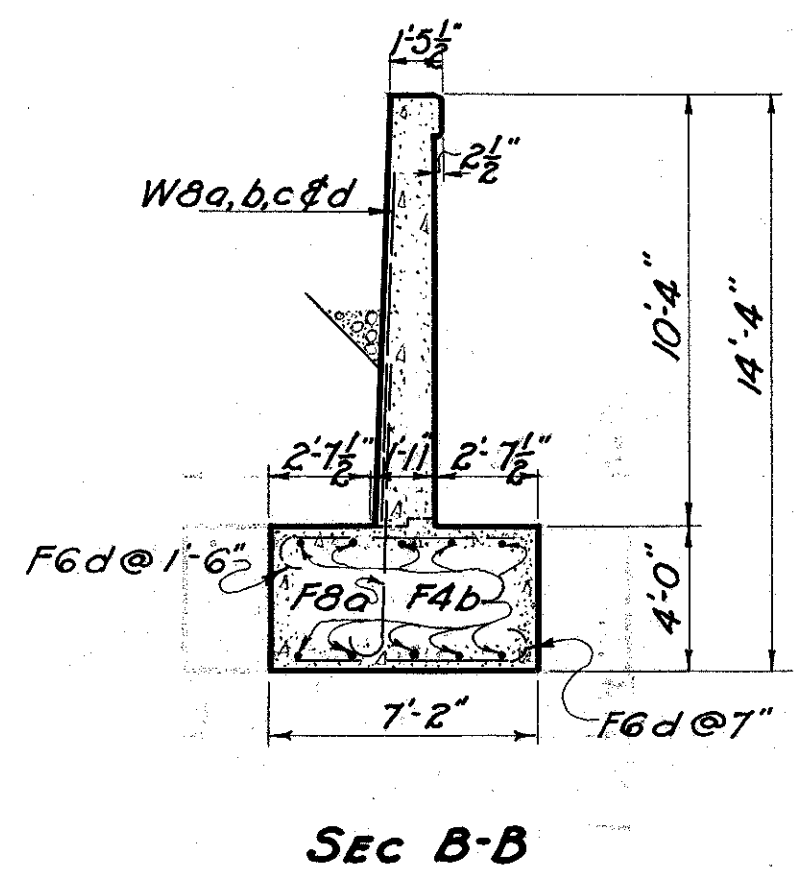
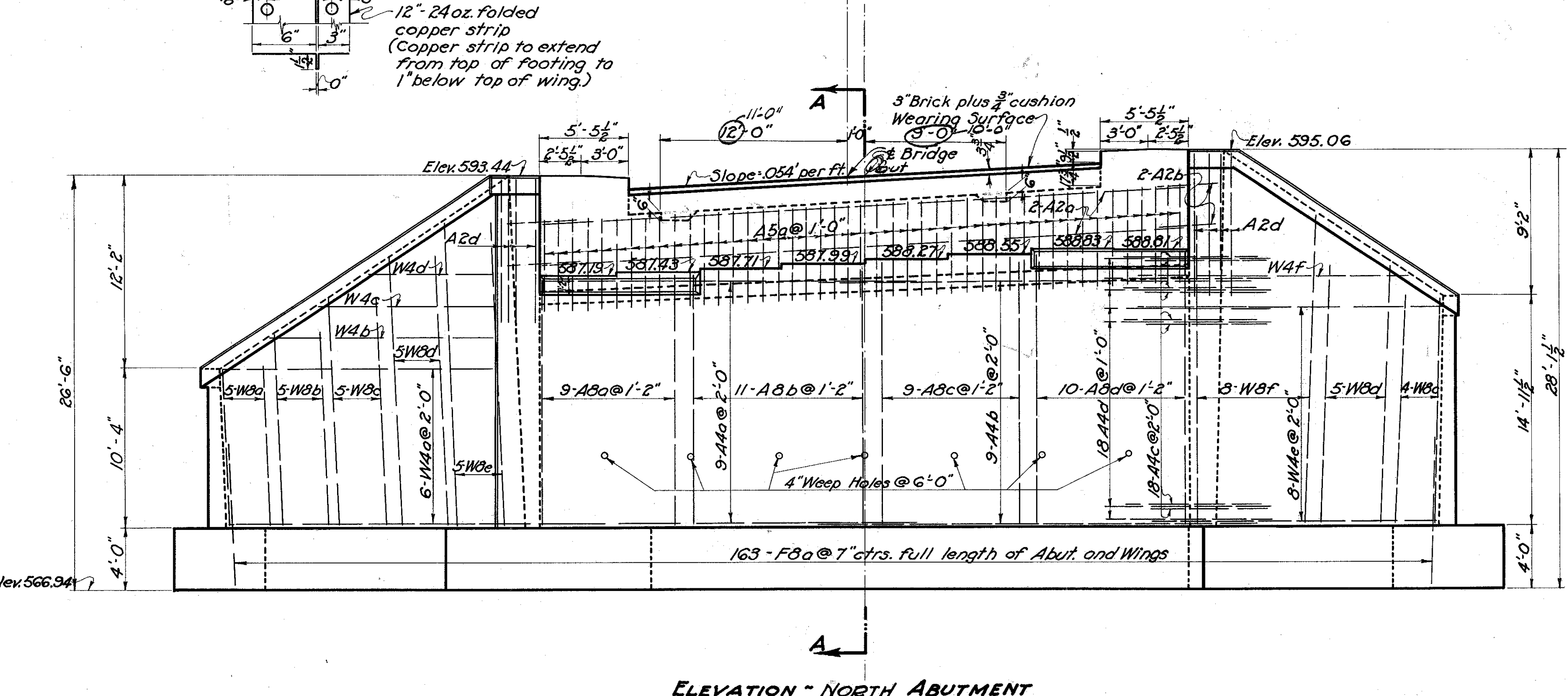
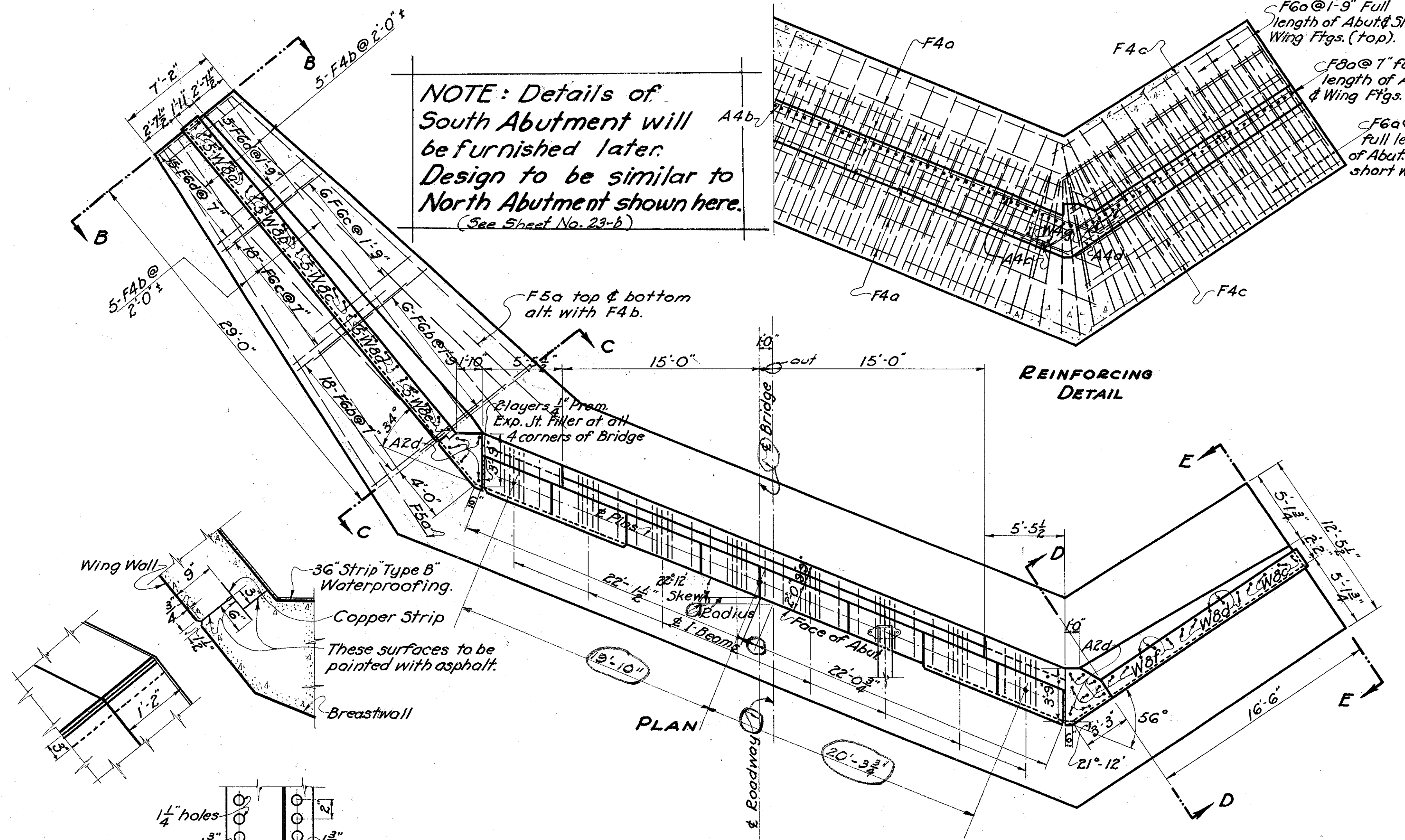


REINFORCING STEEL LIST - NORTH ABUTMENT

Mark	Size	Shope	Length	Weight
A8a	1" Str.		15'-9"	483
A8b	1" Str.		16'-3"	608
A8c	1" Str.		16'-9"	513
A8d	1" Str.		17'-6"	596
A5a	3/4" Str.		12'-9"	862
A4a	3/4" Str.		26'-6"	249
A4b	3/4" Str.		29'-0"	272
A4c	3/4" Str.		9'-0"	169
A4d	3/4" Str.		12'-0"	226
A2a	1/2" Str.		23'-0"	123
A2b	1/2" Str.		4'-0"	21
A2c	1/2" Str.		5'-3"	189
A2d	1/2" Str.		8'-9"	64
F4a	3/8" Str.		25'-0"	522
F4b	3/8" Str.		32'-0"	334
F4c	3/8" Str.		22'-0"	230
F6a	3/8" Str.		11'-2"	3018
F8a	1" Str.		10'-0"	5550
F5a	3/4" Str.		10'-0"	150
W8a	1" Str.		10'-3"	174
W8b	1" Str.		12'-3"	208
W8c	1" Str.		14'-6"	444
W8d	1" Str.		17'-0"	579
W8e	1" Str.		19'-3"	327
W8f	1" Str.		20'-0"	544

W4a	3/8" Str.	28'-6"	6	178
W4b	3/8" Str.	23'-6"	1	25
W4c	3/8" Str.	18'-9"	1	20
W4d	3/8" Str.	13'-9"	1	14
W4e	3/8" Str.	22'-3"	8	106
W4f	3/8" Str.	19'-0"	1	20
W4g	3/8" Str.	18'-6"	4	77
F6b	3/8" Str.	10'-9"	24	528
F6c	3/8" Str.	9'-3"	24	454
F6d	3/8" Str.	7'-2"	20	293
Total				18,250

NOTE: Details of South Abutment will be furnished later. Design to be similar to North Abutment shown here.
(See Sheet No. 23-b)



STATE OF OHIO
DEPARTMENT OF HIGHWAYS
BUREAU OF BRIDGES

NORTH ABUTMENT DETAILS
BRIDGE NO. LA-283-47
OVER CHAGRIN RIVER

LAKE COUNTY S.H. 520
SEC. B & C BRS. STA. 175+700

DESIGNED	DRAWN	TRACED	CHECKED	REVIEWED	DATE	REVISED
CLN	CLN	SKR	CLN	SKR	12-31-31	3-28-32

Encircled dimensions revised 3-28-32 - GEN