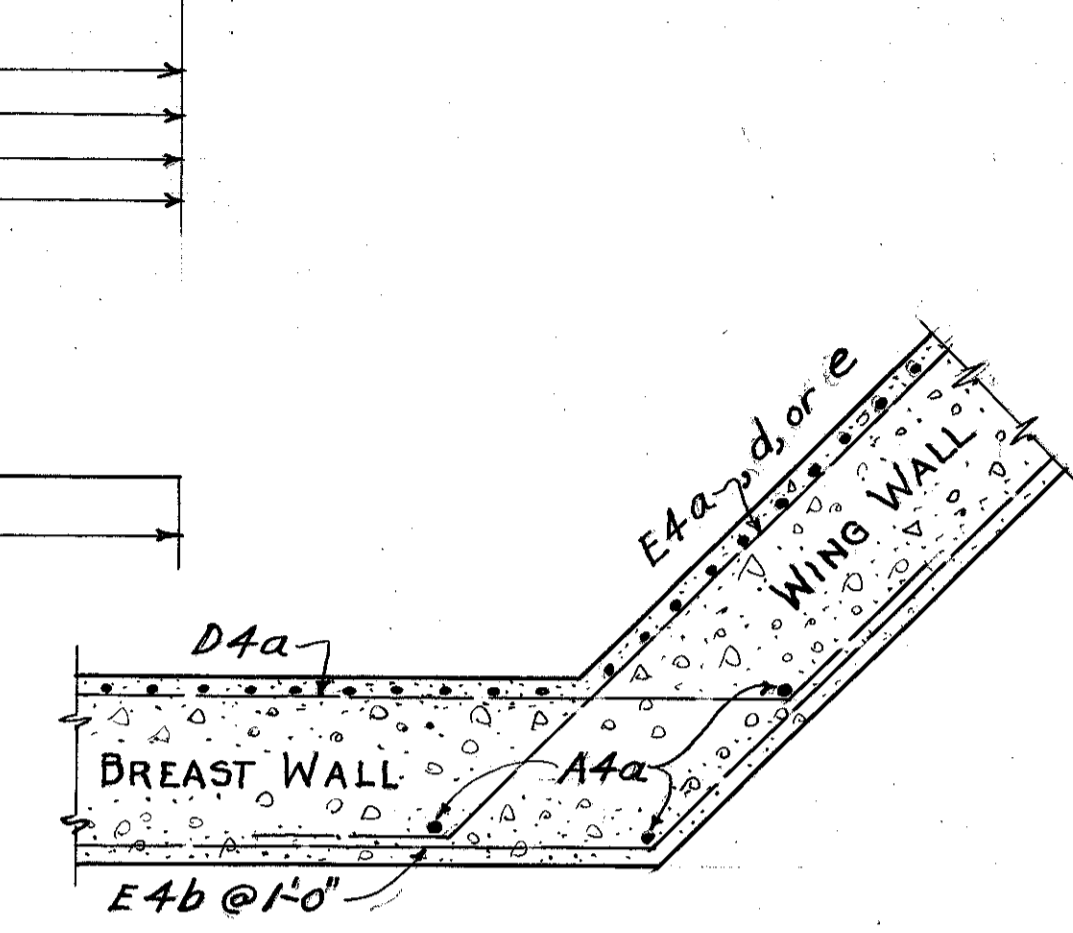
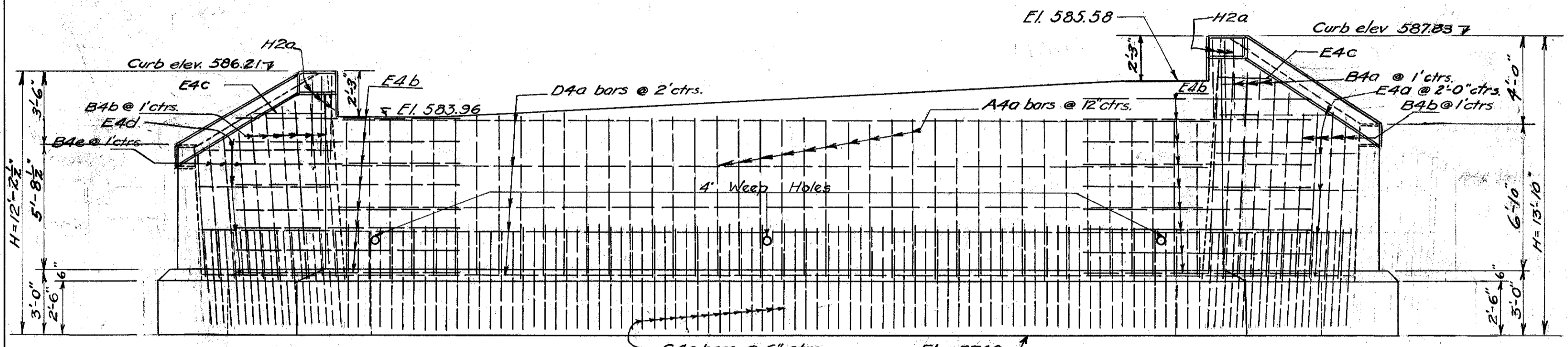


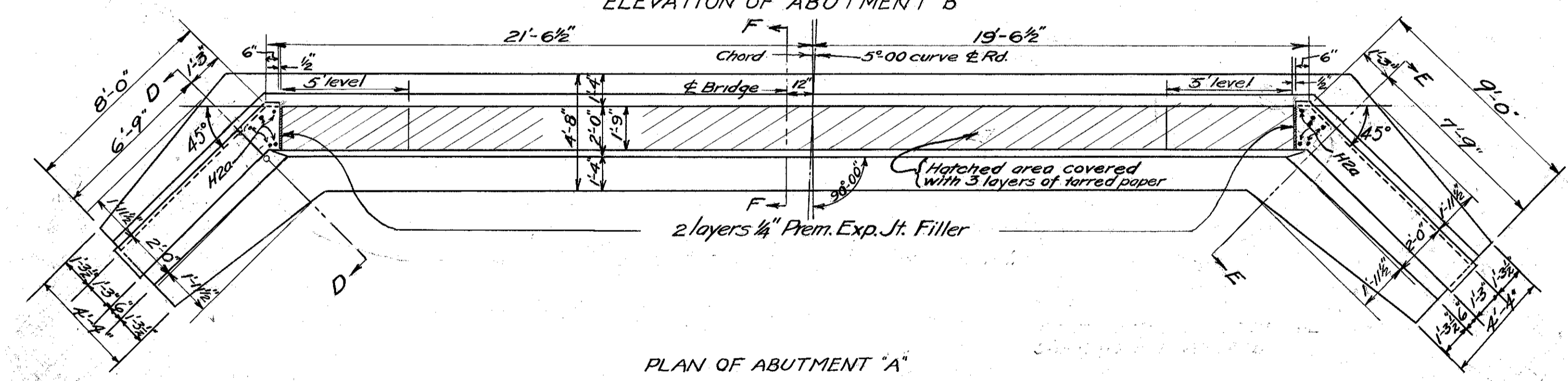
PLAN OF ABUTMENT "B"



DETAIL SHOWING STEEL AT CORNER SECTION

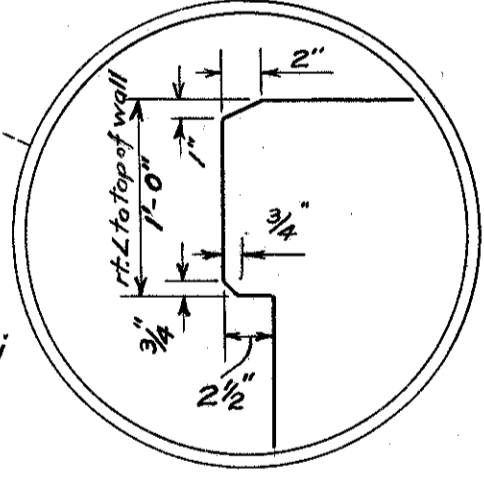
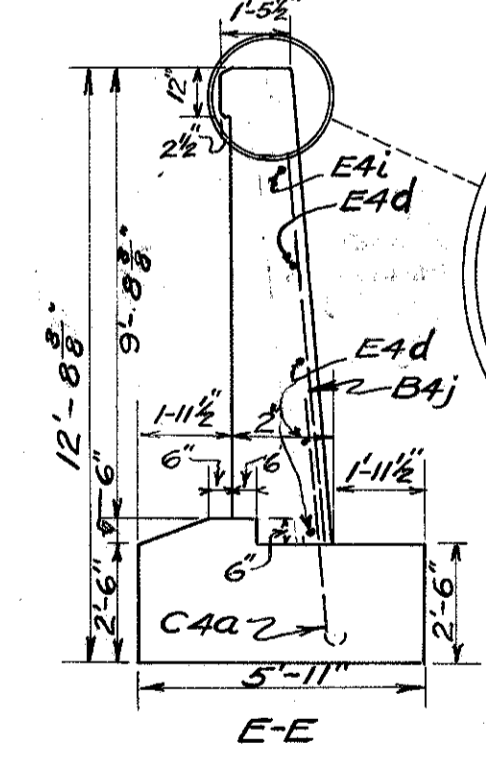
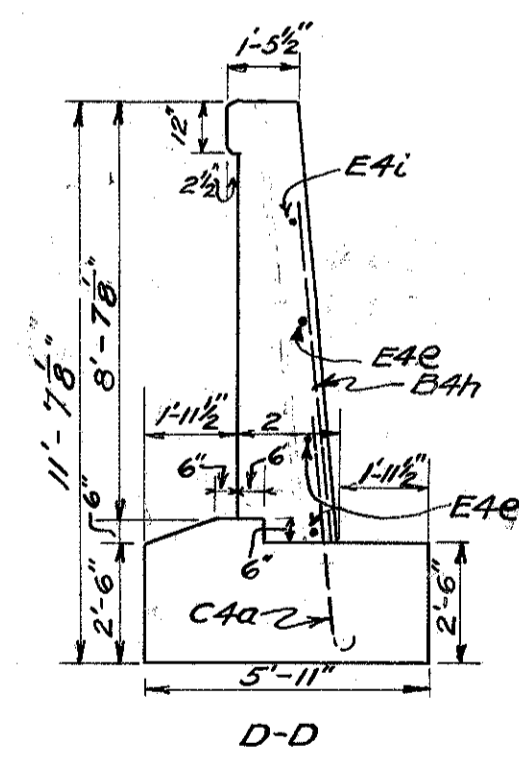
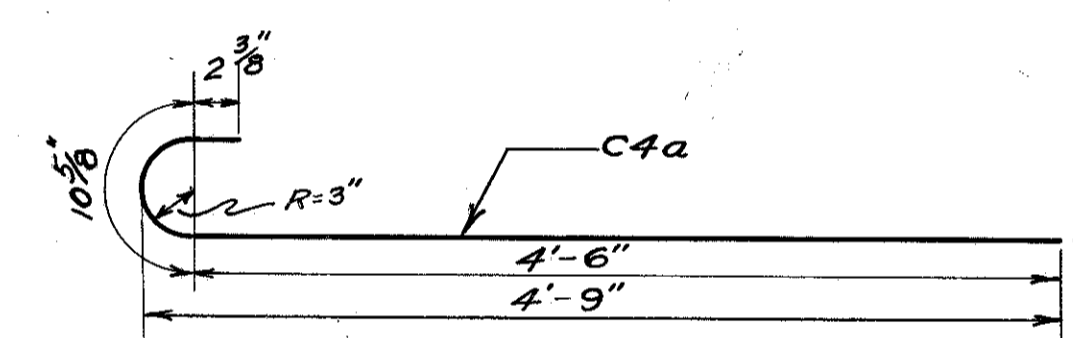


ELEVATION OF ABUTMENT "B"



PLAN OF ABUTMENT "A"

Bridge Seats to be trowelled perfectly smooth and covered with three layers of tarred paper; payment included with concrete.

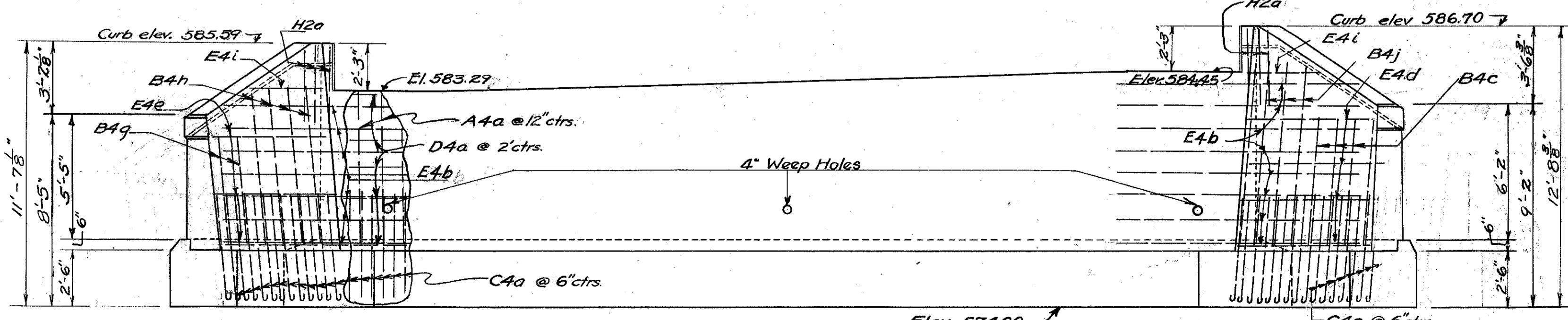


ABUTMENT STEEL LIST						
Mark	Size	Shape	Nº	Length	Weight	
C 4a	5/8Ø	Bent	223	5'-7"	1299	
A 4a	"	Straight	92	7'-3"	696	
B 4a	"	Straight	6	9'-3"	58	
B 4b	"	Straight	10	7'-6"	78	
B 4c	"	Str.	4	5'-9"	24	
B 4e	"	Str.	3	6'-0"	19	
B 4g	"	Str.	2	5'-0"	10	
B 4h	"	Str.	4	7'-0"	29	
B 4j	"	Str.	4	8'-0"	33	
H 2a	1/2"Ø	Str.	20	3'-6"	47	
D 4a	5/8Ø	Bent	20	26'-0"	542	
E 4a	"	Bent	5	13'-0"	68	
E 4b	"	Bent	33	12'-0"	413	
E 4c	"	Str.	2	3'-6"	7	
E 4	"	Bent	8	12'-0"	100	
E 4e	"	Bent	3	11'-0"	34	
E 4 i	"	Str.	2	3'-3"	7	
				Total	3464*	

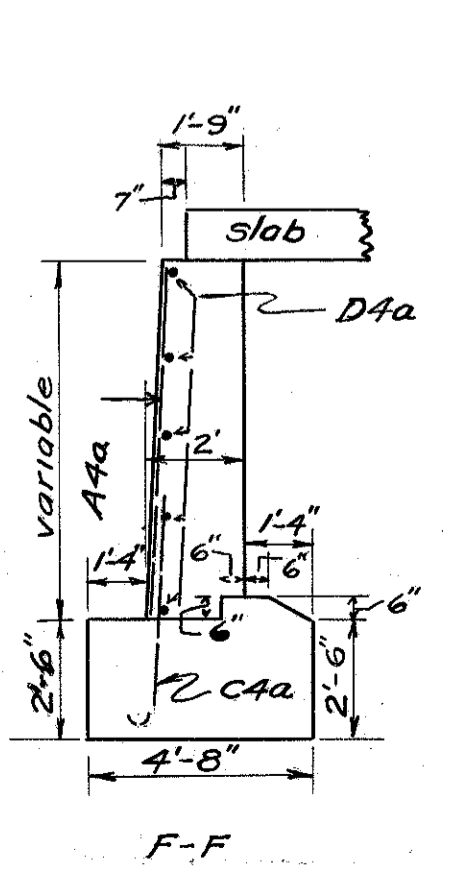
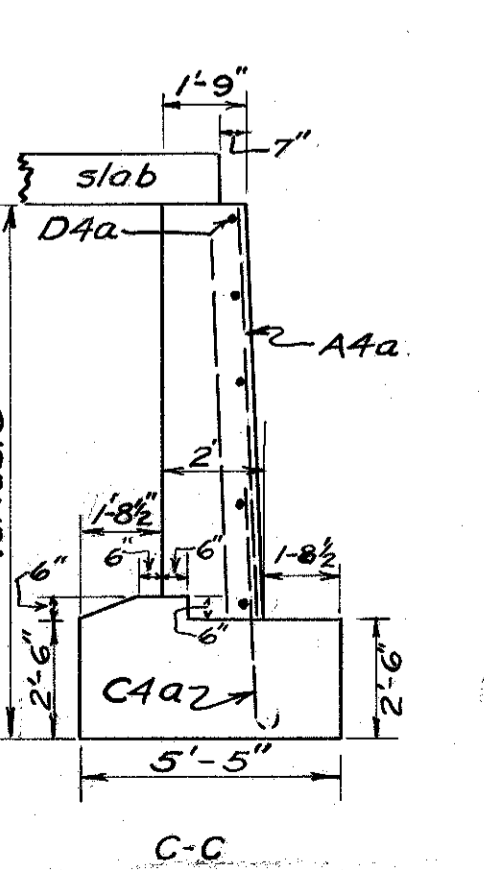
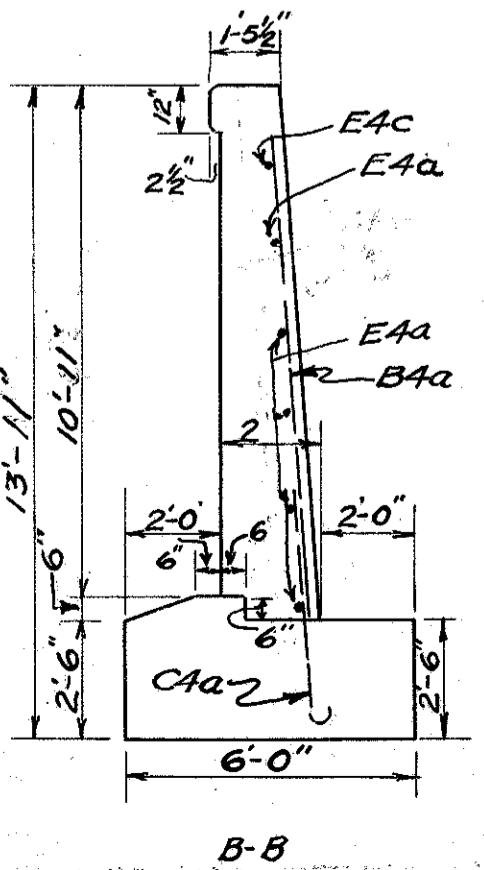
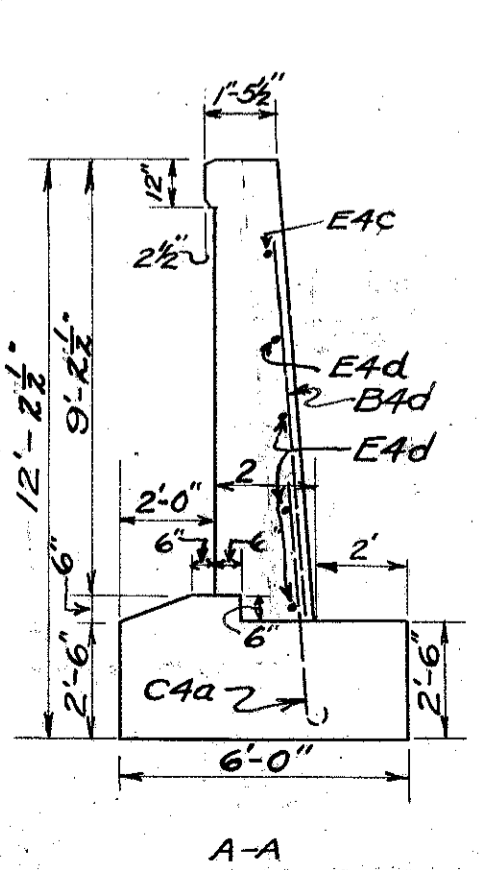
BR. NO. LA-283-46

ABUTMENT DETAILS

BRIDGE OVER CHAGRIN RIVER OVERFLOW CHANNEL
S.H. 520 Lake County
Sec. "B" & "C" BRS. Sta. 166+95



ELEVATION OF ABUTMENT "A"



Designed	Drawn	Traced	Checked	Reviewed	Date	Revised
J.H.C.	J.H.C.	C.F.W.	J.H.C.	J.H.C.	12-21-00	12-31-01