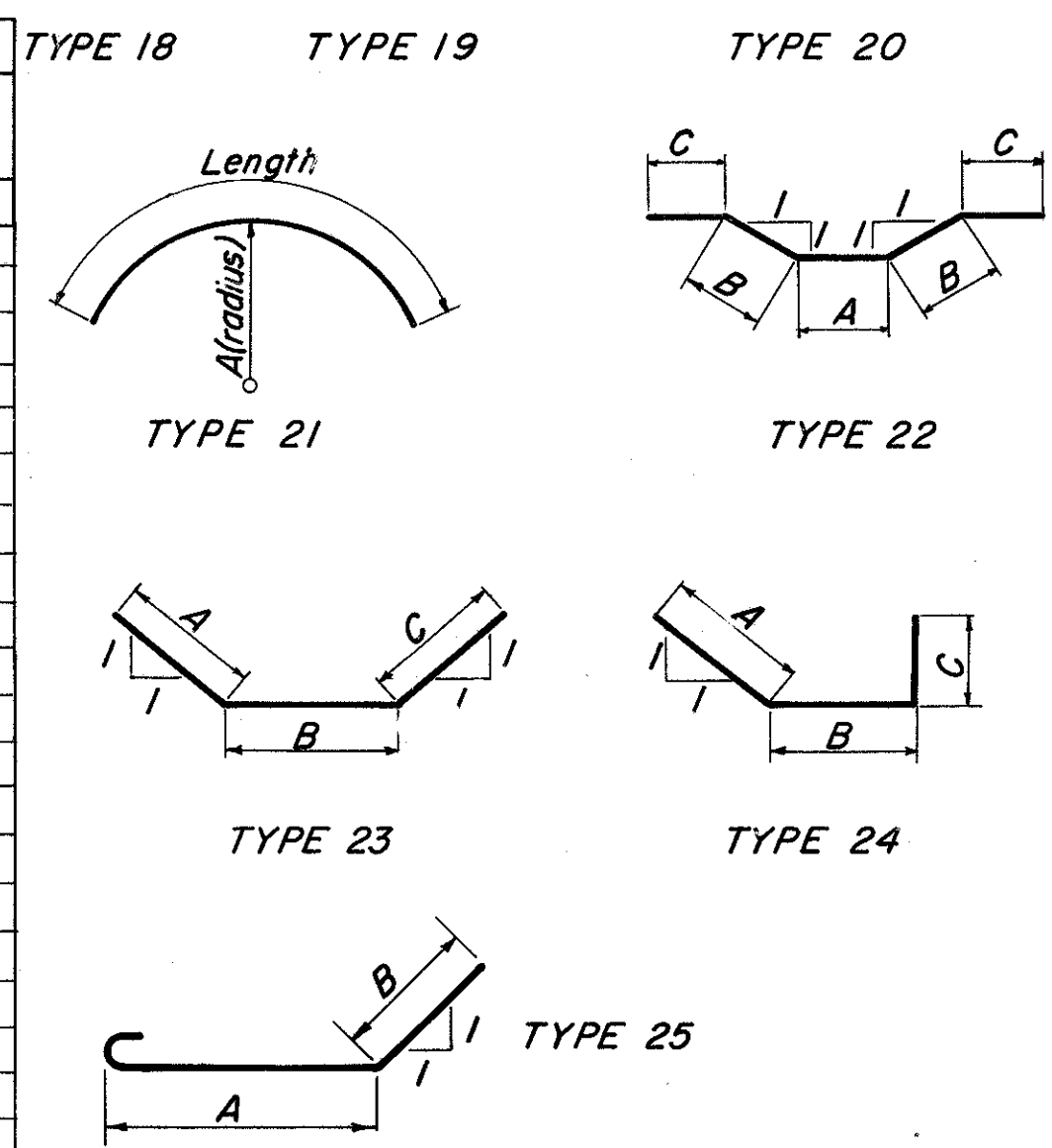


Mark No.	Length	Inc.	Weight	Type	Dim.			Bar Distribution
					A	B	C	
INLET HEADWALL								
B901	146	12'-0"	5957	1				
B902	61	10'-3"	2126	2	8'-3"	2'-3 1/2"		
B701	8	10'-7"	173	1				
B702	6	10'-6"	129	1				
B703	8	10'-5"	170	1				
B704	9	11'-3"	207	1				
B705	9	11'-2"	205	1				
B706	9	11'-1"	204	1				
B707	6	13'-6"	166	1				
B708	6	13'-2"	161	1				
B501	44	12'-0"	551	1				
B502	18	21'-6"	404	1				
B503	19	23'-6"	466	1				
B504	18	17'-6"	329	1				
B505	18	5'-5"	102	2	4'-3"	1'-3 1/2"		
B506	45	6'-7"	309	2	5'-5"	1'-3 1/2"		
B507	1	19'-6"	20	1				
B508	1	15'-6"	16	1				
B509	11	4'-8"	54	2	3'-6"	1'-3 1/2"		
B510	9	2'-3"	21	1				
B511	1	16'-11"	18	1				
B512	1	16'-9"	17	1				
B513	1	7'-3"	8	1				
B514	6	7'-1"	44	1				
B515	4	8'-2"	34	1				
B516	5	8'-1"	42	1				
B517	4	7'-2"	30	1				
B518	3	17'-0"	53	1				
B519	3	16'-8"	52	1				
B520	5	14'-1"	73	1				
B521	3	14'-0"	44	1				
B522	5	13'-11"	73	1				
B523	5	14'-9"	77	1				
B524	5	14'-8"	76	1				
B525	5	14'-7"	76	1				
B526	3	16'-7"	52	3	7'-7"	1'-8"	7'-7"	
B527	3	18'-7"	58	3	8'-7"	1'-8"	8'-7"	
B528	4	17'-8"	74	1				
B529	10	21'-8"	226	1				
B530	10	6'-0"	63	1				
B531	21	19'-8"	431	1				
B532	14	5'-6"	80	9	2'-2"	1'-8"	1'-2"	
B533	6	25'-8"	161	1				
B534	8	4'-0"	33	1				

Mark No.	Length	Inc.	Weight	Type	Dim.			Bar Distribution
					A	B	C	
OUTLET HEADWALL								
C701	67	9'-8"	1324	1				
C702	25	9'-2"	468	1				
C703	1	9'-2"						
C703	70	1'	327	1				
C704	1	7'-7"						
C704	70	2'	175	1				
C705	34	9'-3"	643	2	7'-9"	1'-8"		
C706	4	8'-7"	70	1				
C501	28	30'-0"	876	1				
C502	14	13'-10"	202	1				
C503	8	12'-4"	103	1				
C504	20	11'-5"	238	1				
C505	2	4'-2"	9	1				
C506	2	25'-3"	53	1				
C507	9	9'-2"	86	1				
C508	23	9'-8"	232	1				
C509	1	9'-2"						
C509	70	3 1/2'	101	1				
C510	1	6'-2"	6	1				
C511	1	8'-2"	9	1				
C512	41	6'-7"	282	2	5'-5"	1'-3 1/2"		
C513	8	6'-3"	52	2	5'-1"	1'-3 1/2"		
C514	14	3'-9"	55	2	2'-7"	1'-3 1/2"		
C515	28	7'-5"	217	2	6'-3"	1'-3 1/2"		
C516	19	5'-1"	101	2	3'-11"	1'-3 1/2"		
C517	19	7'-9"	154	1				
C518	3	17'-3"	54	3	8'-2"	1'-2"	8'-2"	
C519	1	8'-3"	9	1				
C520	8	3'-9"	31	1				
C521	8	2'-9"	23	1				
C522	12	23'-8"	296	1				
C523	1	14'-1"	15	1				
C524	1	13'-8"	14	1				
C525	1	14'-7"	15	1				
C526	1	14'-2"	15	1				
C527	4	6'-0"	25	1				
C528	2	9'-7"	20	25	4'-0"	5'-0"		
C529	2	9'-0"	19	1				
C530	2	8'-6"	18	23	5'-0"	2'-6"	1'-0"	
C531	3	3'-0"	9	3	0'-10"	1'-2"	1'-3"	
C532	3	15'-8"	49	1				
C533	7	5'-0"	37	9	2'-2"	1'-2"	1'-1"	
C534	7	16'-8"	122	2	15'-8"	1'-1 1/2"		
C535	3	4'-0"	13	1				
C536	1	11'-4 1/2"						
C536	70	4 1/2'	101	1				
C537	1	8'-11"						
C537	70	3'	106	1				
C538	11	14'-4"	164	1				
C539	2	15'-5"	32	2	14'-4"	1'-2 1/2"		
C540	2	12'-3"	26	2	11'-2"	1'-2 1/2"		
C541	2	9'-2"	19	2	8'-1"	1'-2 1/2"		
C542	2	3'-7"	7	2	2'-6"	1'-2 1/2"		
C543	2	14'-4"	30	1				

Mark No.	Length	Inc.	Weight	Type	Dim.			Bar Distribution
					A	B	C	
OUTLET HEADWALL								
C544	1	7'-10 1/2"						
C544	70	4 1/2'	76	1				
C545	1	7'-10 1/2"						
C545	70	3'	111	1				
C546	4	18'-2"	76	1				
C547	2	17'-2"	36	1				
C548	2	11'-0"	23	1				
C549	2	5'-1"	11	1				
C550	2	18'-10"	39	1				



REINFORCING STEEL SAMPLES: Refer to CMS Sections 106.03, 700, 709.01 through 709.05 and 709.08. Sufficient additional reinforcing steel shall be provided for sampling. Random samples shall be replaced in the structures by the additional steel, spliced in accordance with 509.08.

SPIRAL REINFORCING BARS: The "Length" shown in the steel list for the spiral bars is the length of the spiral along the axis of the spiral. The "No. of Turns" shown is the length divided by the pitch plus 3 turns (total number of closed coils). 1/2 closed-coil turns shall be provided at the ends of each spiral unit. Four steel channel, tee or angle spacers, weighing approximately per lin. ft. of spacer, shall be provided for each spiral unit. They shall be equally spaced along the periphery of the coil. The number of pounds of these spacers, based on per lin. ft. will be paid for as reinforcing steel and is included in the tabulated quantities of spiral bars.

LEGEND:
% = Out to Out Inc. = Increment

Burgess & Niple, Limited
Engineers and Architects

5 / 5

REINFORCING STEEL LIST
LAK-283-0419
OVER
UNNAMED STREAM
LAKE COUNTY STA. 146+38

DESIGNED	DRAWN	TRACED	CHECKED	REVIEWED DATE	REVISED
W.A.C.	R.L.H.	R.L.H.			