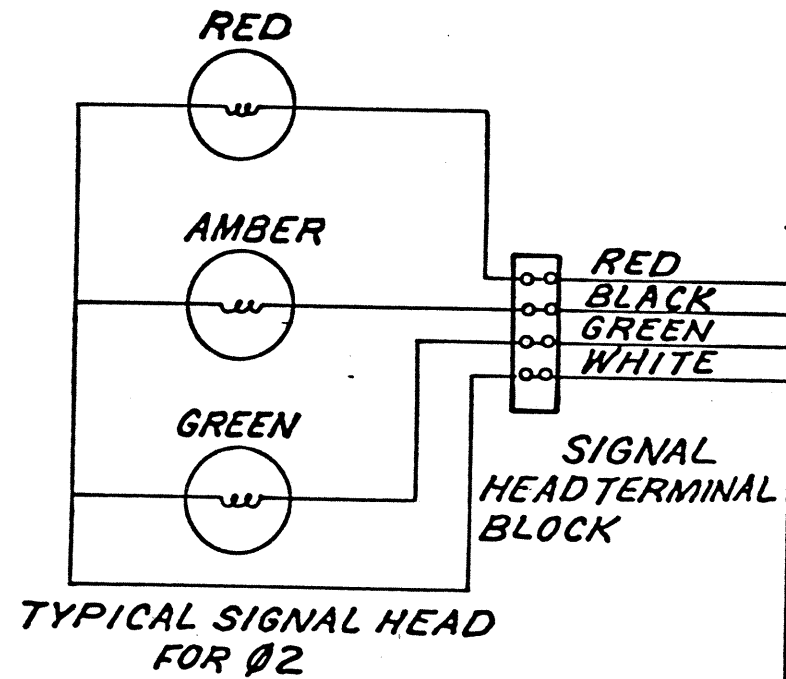


CABLE SHALL BE 4-CONDUCTOR No. 14 COPPER SIGNAL CABLE, COLOR CODED AND STRANDED. ALL ELECTRICAL CONNECTIONS TO BE MADE AT TERMINAL BLOCKS USING TERMINAL LOCK FORKS. SPLICES IN SIGNAL CABLE SHOULD BE AVOIDED BUT IF NECESSARY SPLICE KITS SHALL BE USED. ALL CONNECTIONS AT SPLICE POINTS SHALL BE SOLDERED.



CABLE SHALL BE RUN INTO SIGNAL HEAD AND CONNECTIONS ARE TO BE MADE AT TERMINAL BLOCK. WHEN TWO 4-CONDUCTOR CABLES ARE USED AT FIRST HEAD FROM CONTROLLER BOTH CABLES SHALL BE CONNECTED AT TERMINAL BLOCK IN HEAD.

