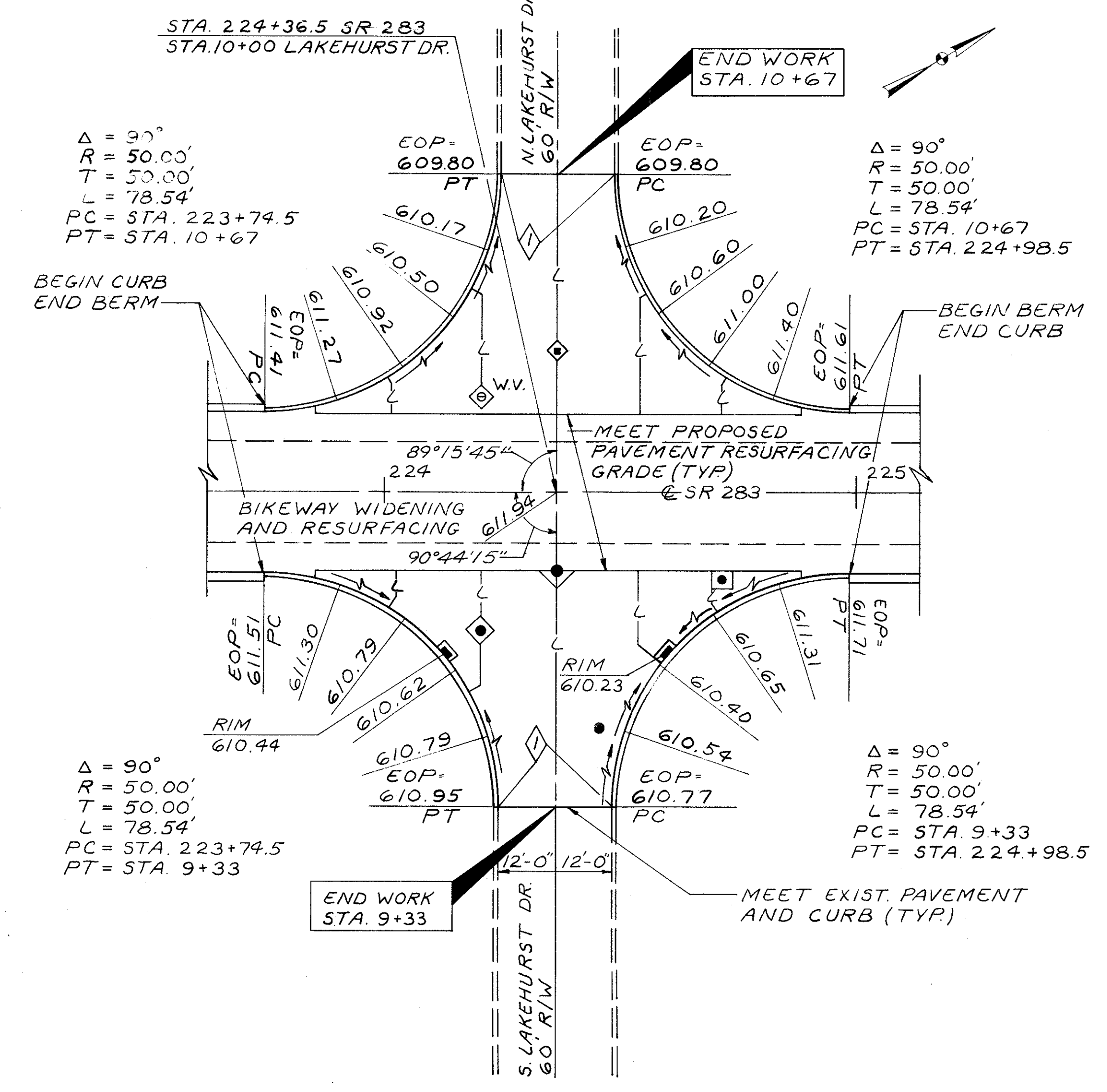
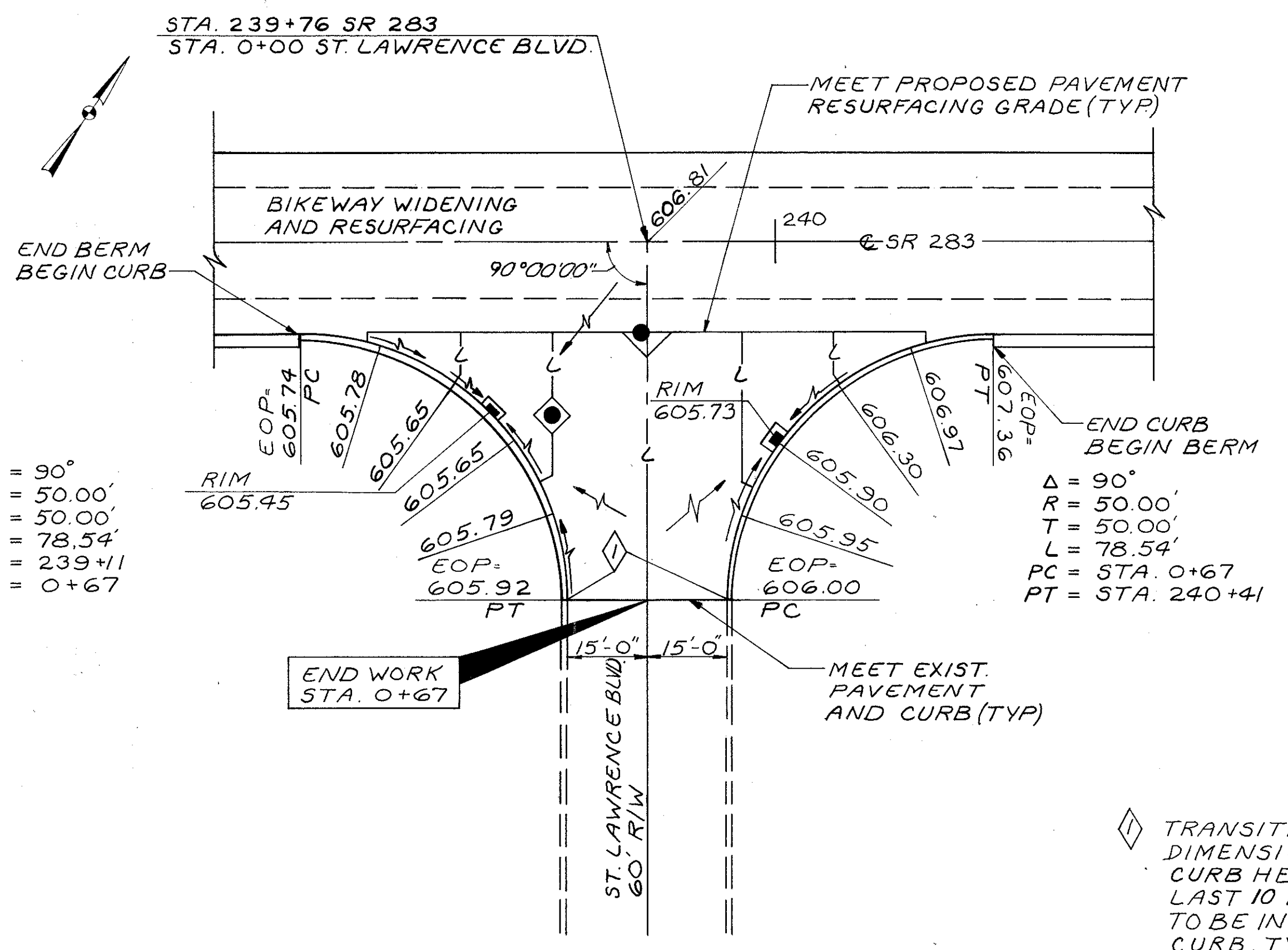


HILLCREST / SR 283
 SCALE 1"=20'

L = LONGITUDINAL JOINT

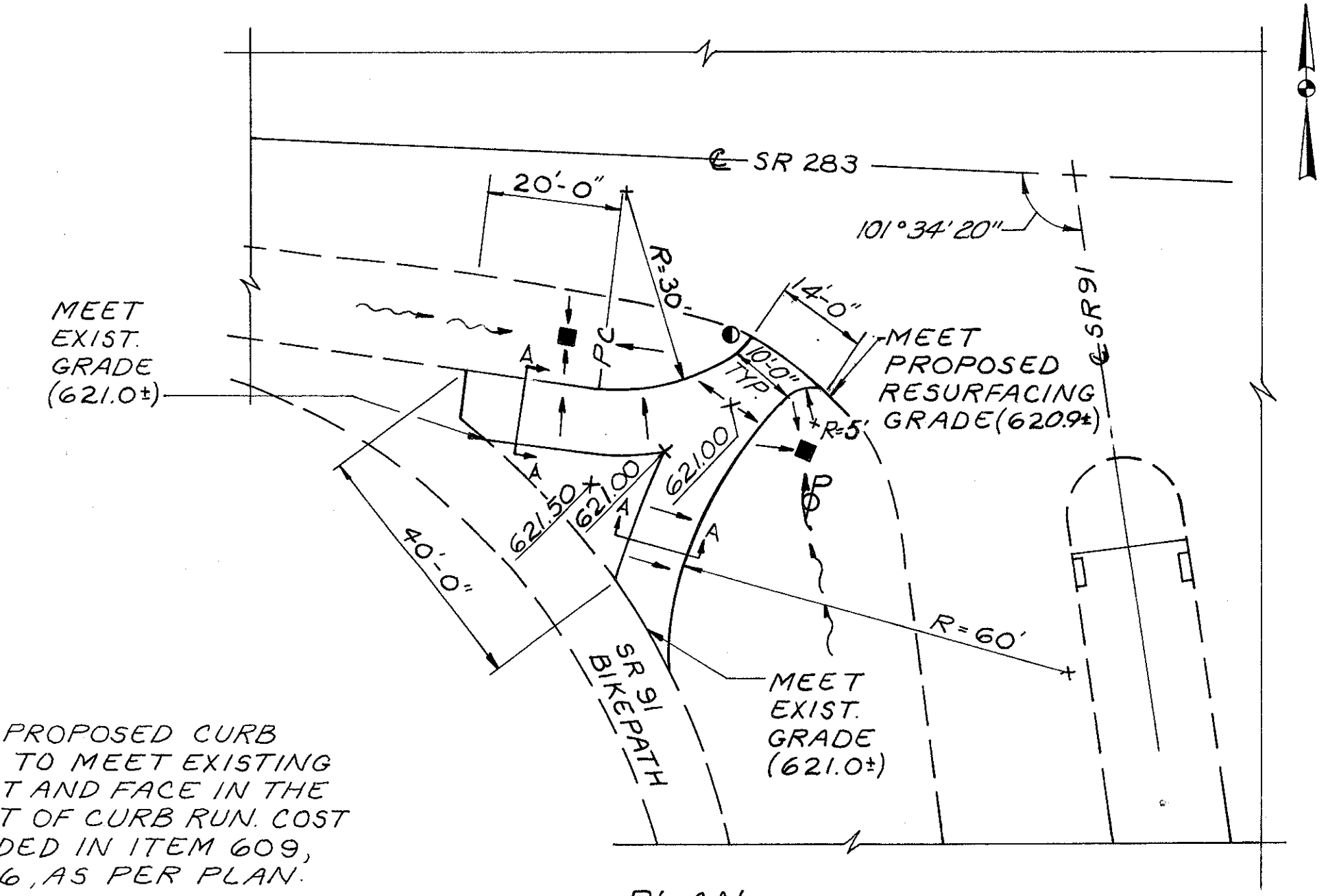


LAKEHURST / SR 283
 SCALE 1"=20'



ST. LAWRENCE BLVD / SR 283
 SCALE 1"=20'

TRANSITION PROPOSED CURB DIMENSIONS TO MEET EXISTING CURB HEIGHT AND FACE IN THE LAST 10 FEET OF CURB RUN. COST TO BE INCLUDED IN ITEM 609, CURB, TYPE 6, AS PER PLAN.



PLAN
 SCALE 1"=20'

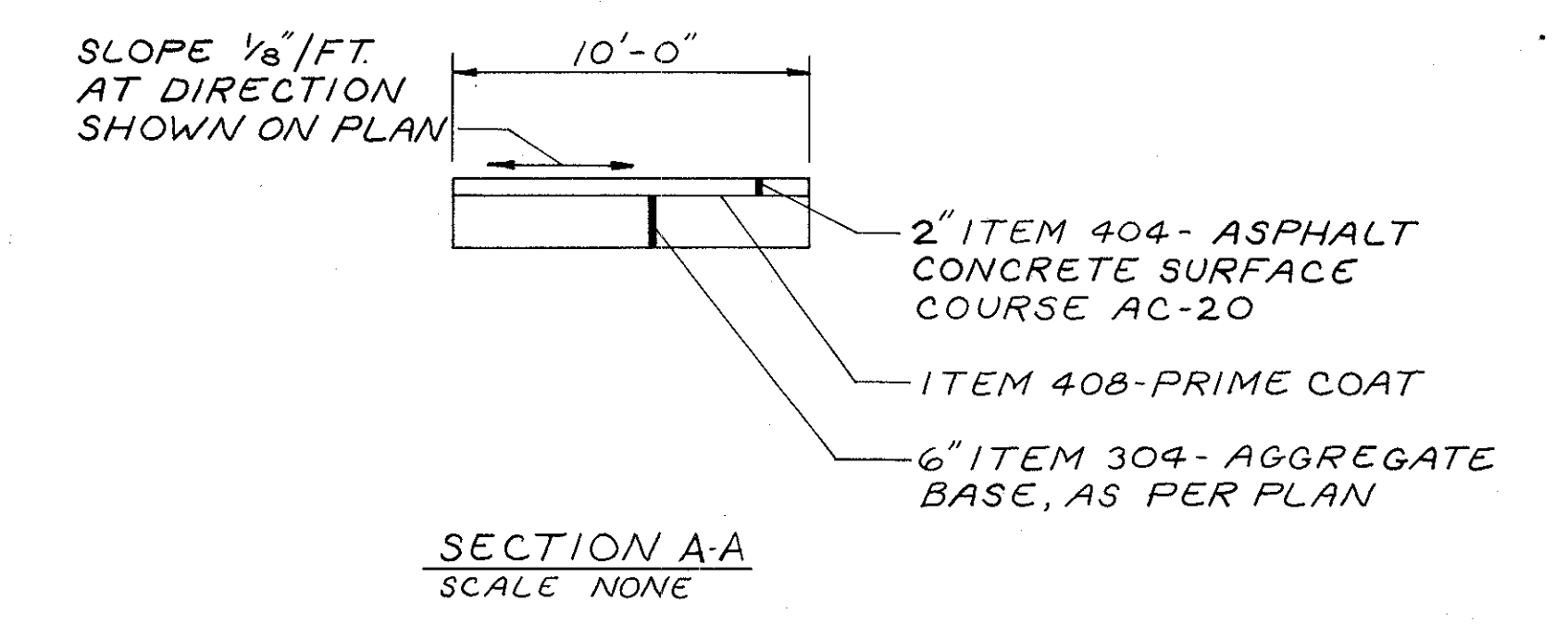
BIKEWAY INTERSECTION DETAILS

LOCATION	5.Y.	3/0	203	202
HILLCREST DR. STA. 183+81 TO STA. 185+10.5	292	49	19	240
ST. LAWRENCE BOULEVARD STA. 239+11 TO STA. 240+41	286	48	35	190
N. LAKEHURST DR. STA. 223+74.5 TO STA. 224+98.5 LT.	252	42	27	176
S. LAKEHURST DR. STA. 223+74.5 TO STA. 224+98.5 RT.	252	42	26	179
TOTALS (BIKEWAY PROJECT)	1082	181	107	785

NOTE: CURB REMOVAL AND REPLACEMENT QUANTITIES (ITEMS 202 & 609) NOTED IN PLAN AND PROFILE SHTS.

PAGE TOTAL QUANTITIES (BIKEWAY PROJECT)

ITEM	DESCRIPTION	QUANTITY
202	PAVEMENT REMOVED	785 SY.
203	EXC. NOT INCL. EMB. CONST.	107 CY.
304	AGG. BASE, A.P.P.	16 C.Y.
310	SUBBASE, TYPE I, GRADING A, APP.	181 C.Y.
404	ASPH. CONC., AC-20	6 C.Y.
408	BIT. PRIME COAT	13 GAL.
451	7" REIN. CONC. PAVEMENT	1082 S.Y.



SECTION A-A
 SCALE NONE

ITEM	QUANTITY**
404	6 CU. YD.
304	16 CU. YD.
408	13 GAL.

** ALL BIKEWAY PROJECT