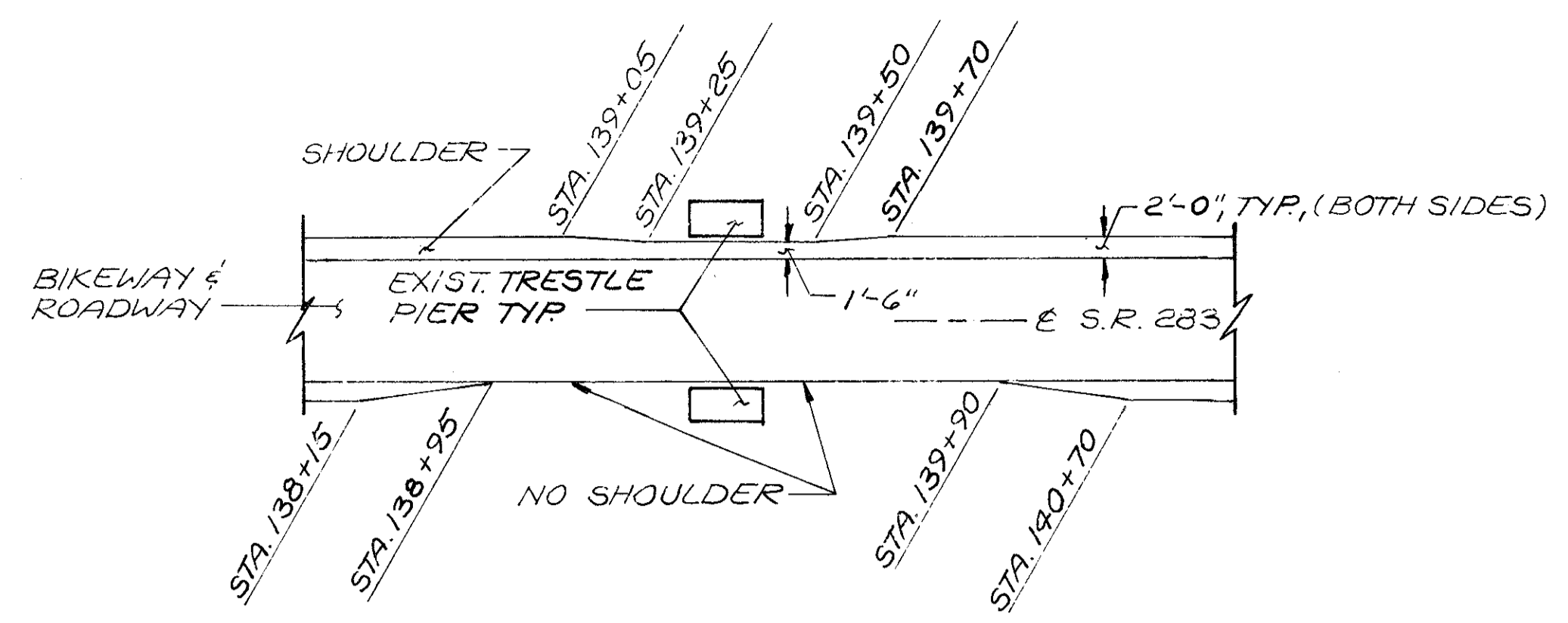
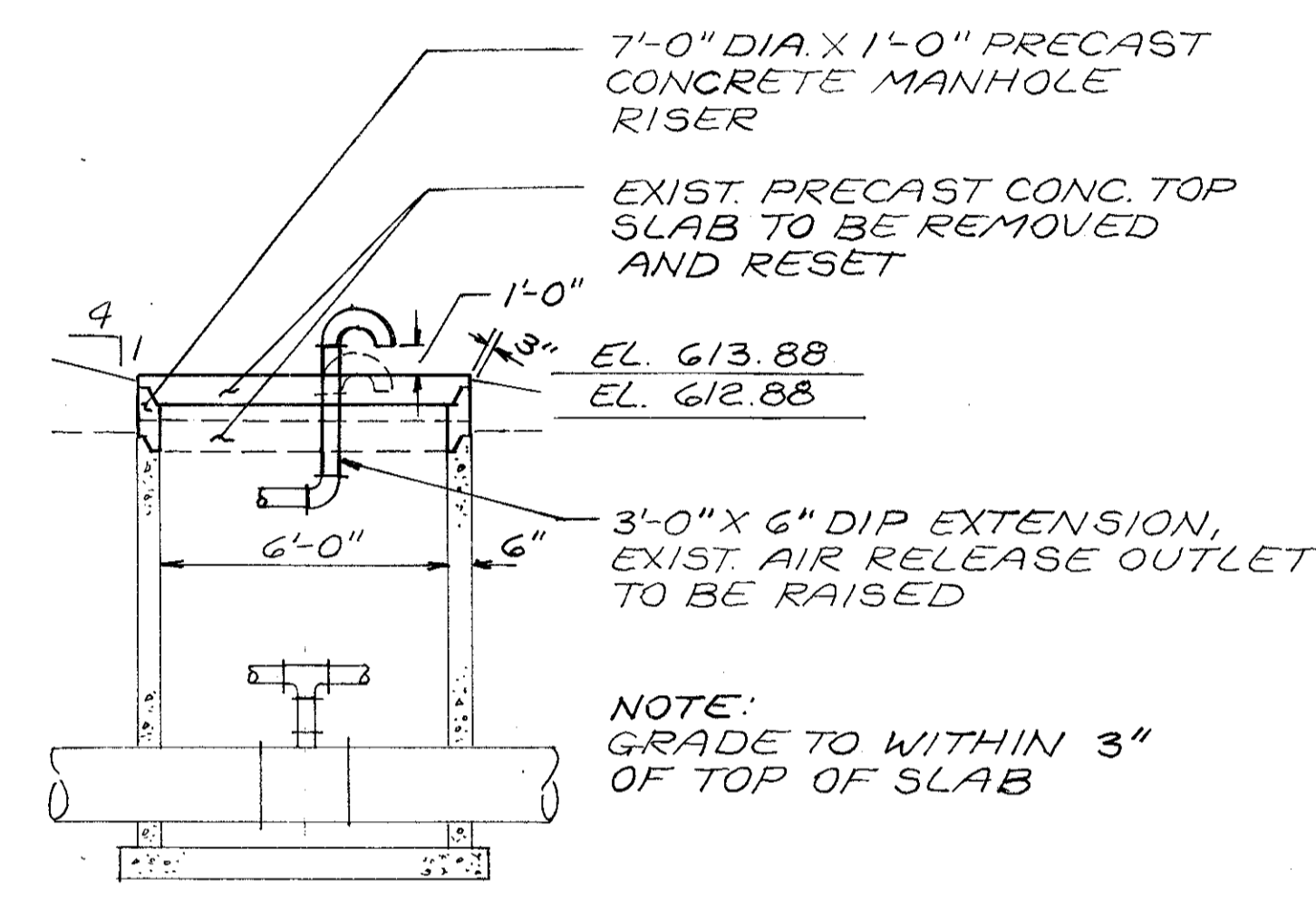


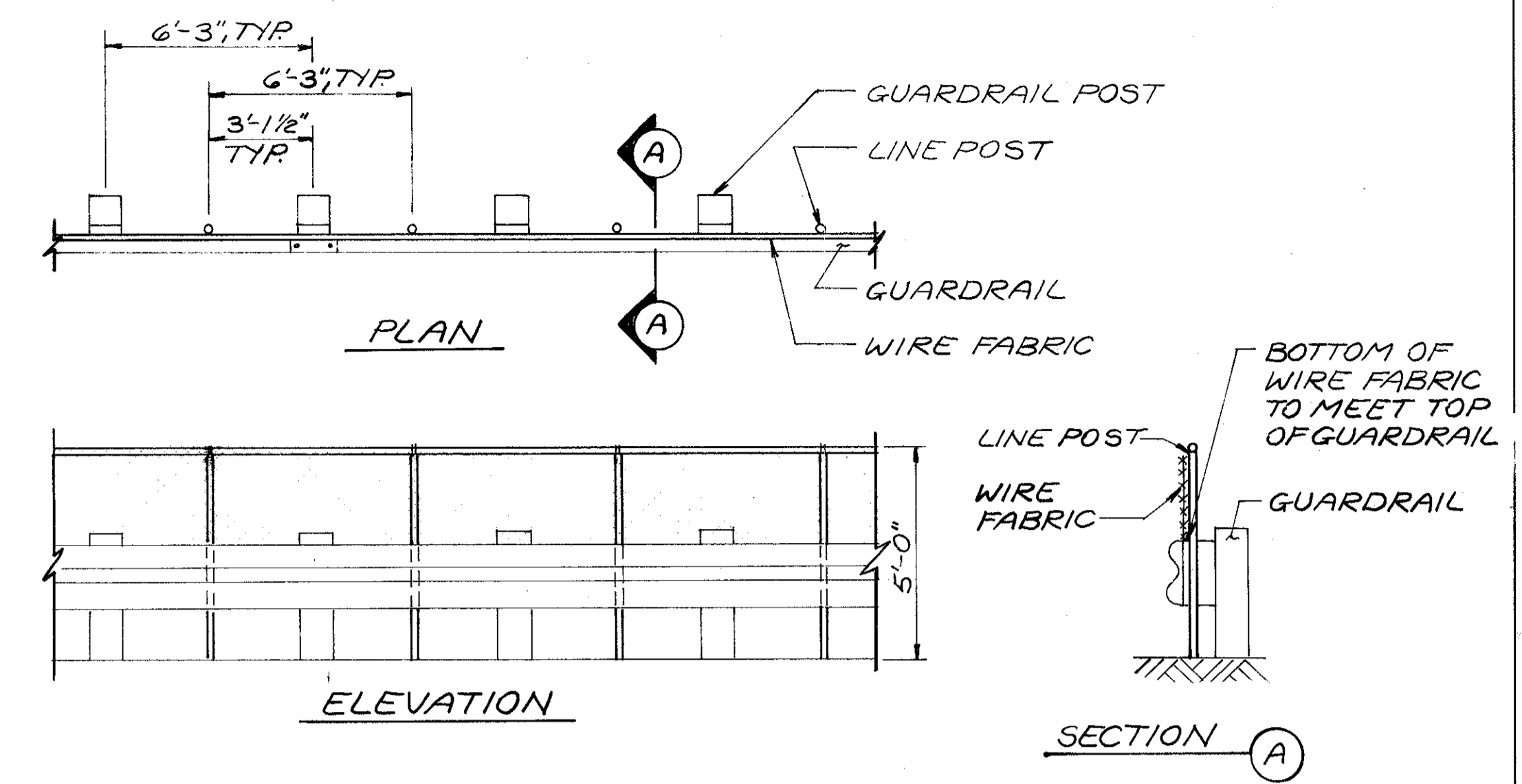
MAILBOX RELOCATION DETAILS
SCALE NONE



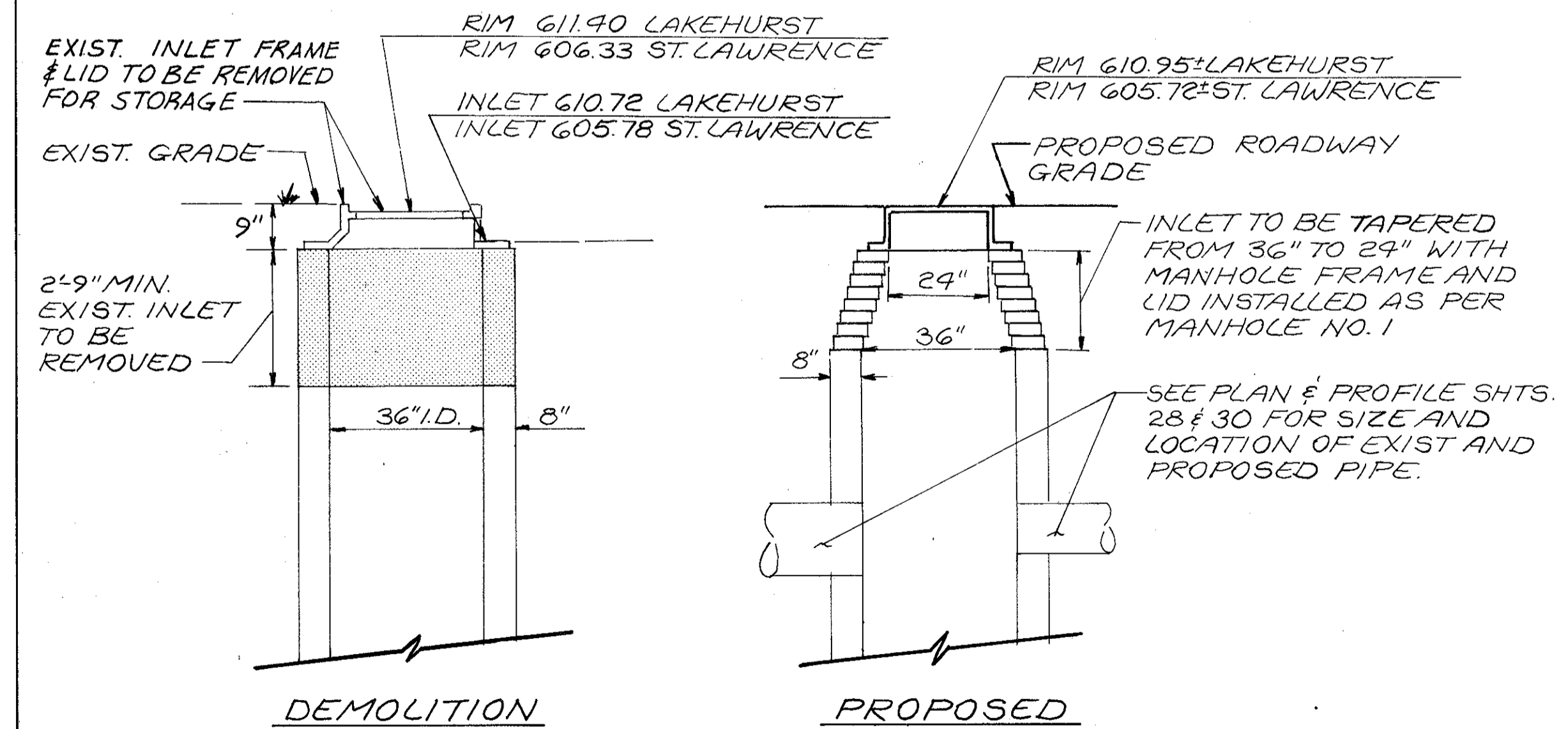
SHOULDER TRANSITION DETAIL
AT TRESTLE PIER
SCALE NONE



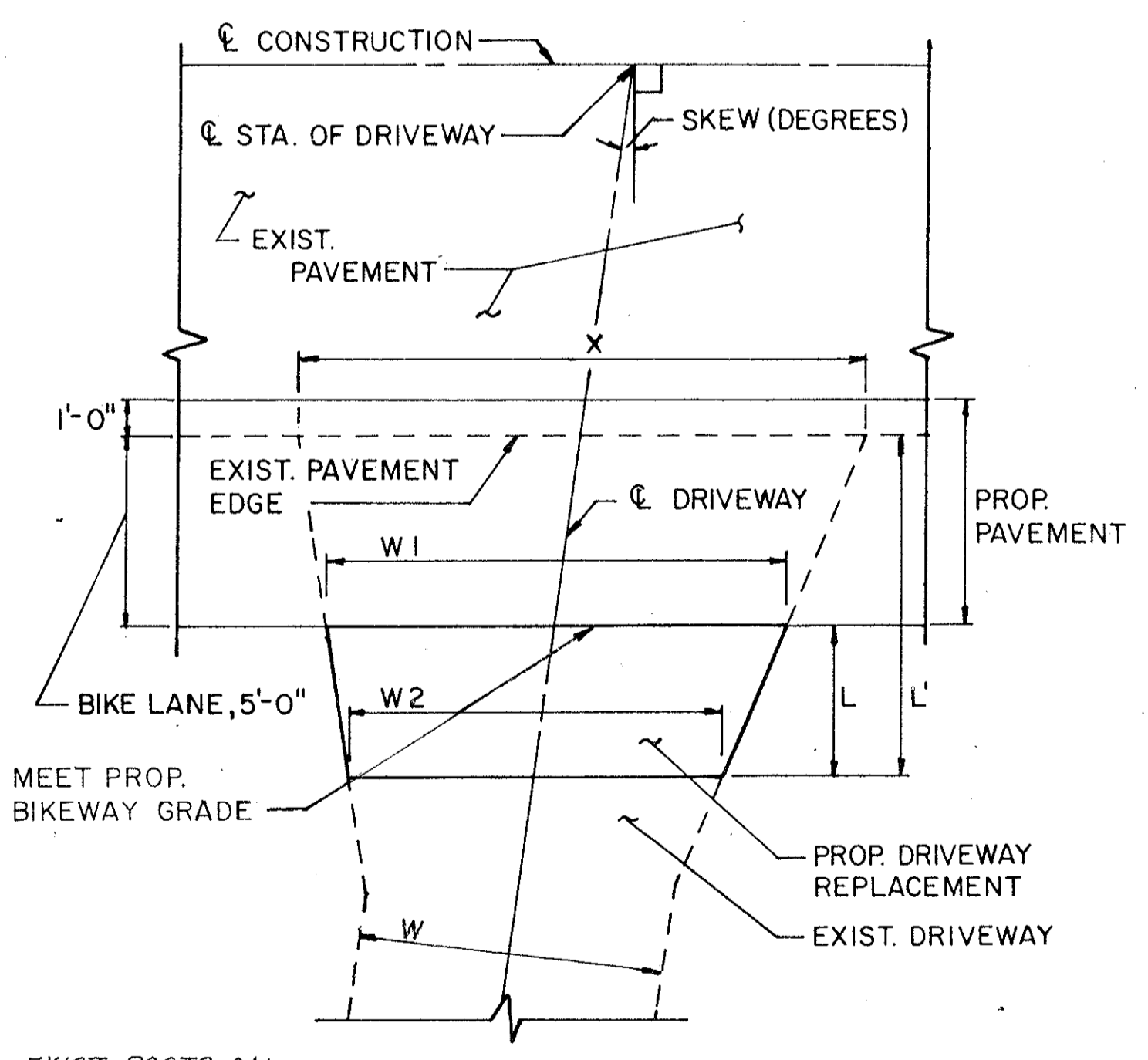
"MANHOLE ADJUSTED TO GRADE,
AS PER PLAN" DETAIL
SCALE NONE



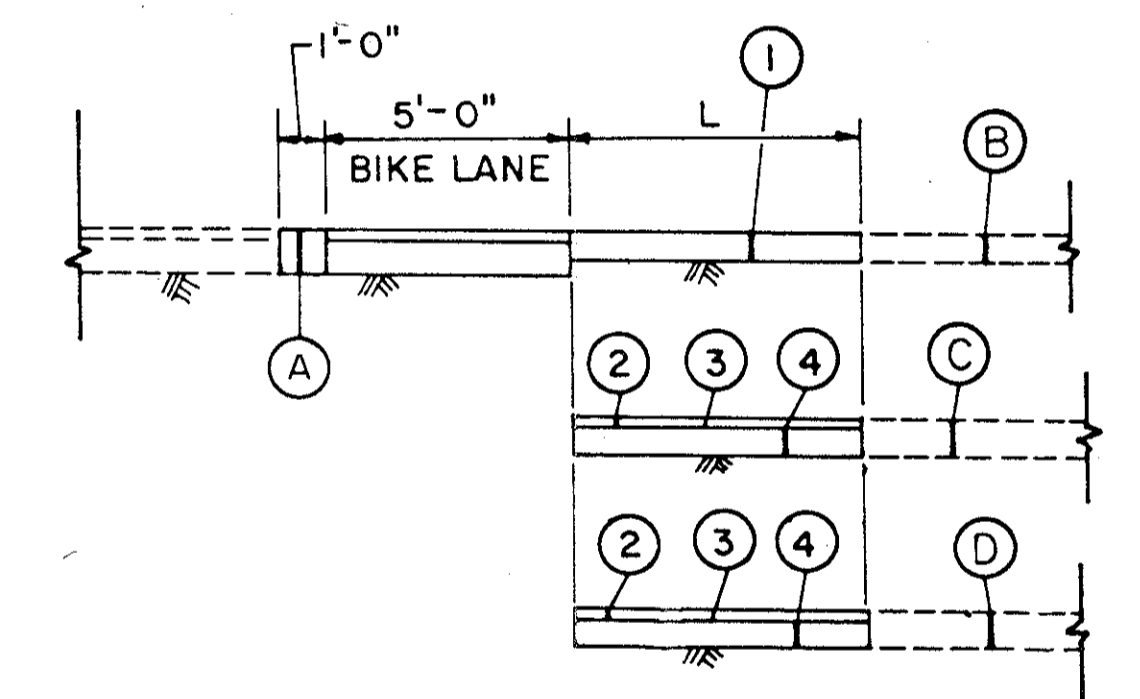
FENCE TYPE CL
AS PER PLAN
SCALE NONE



"INLET MISC.: MODIFIED AS PER PLAN" DETAIL
SCALE NONE

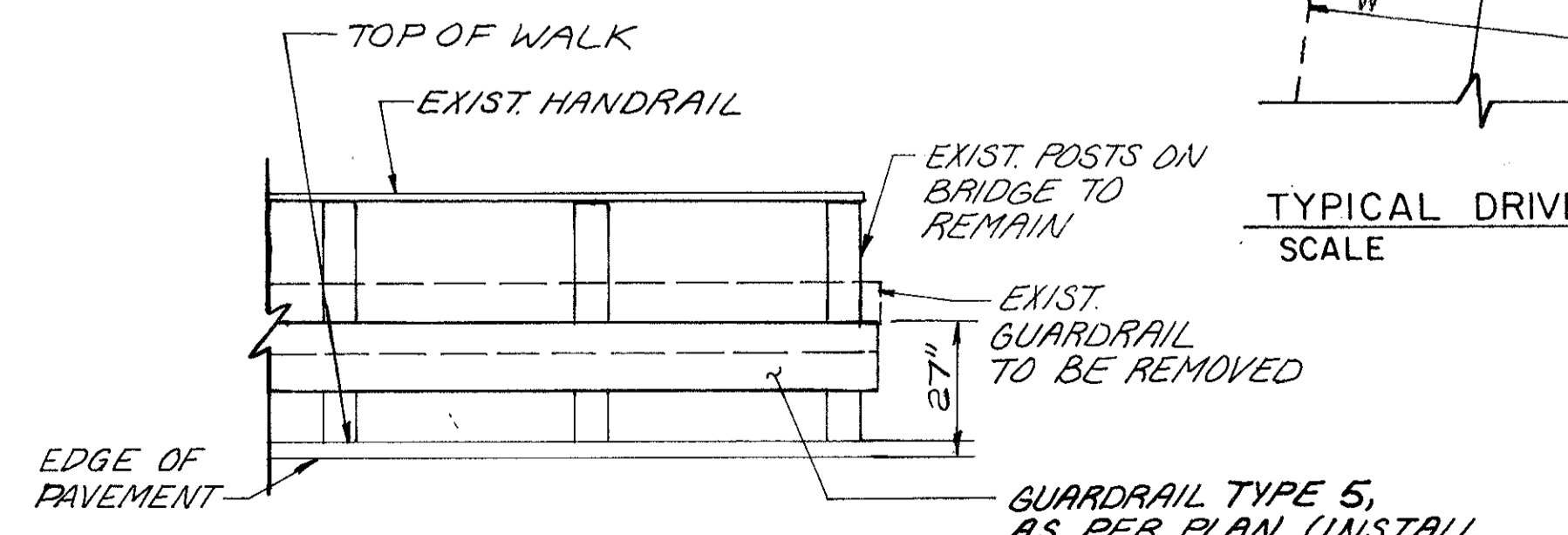


TYPICAL DRIVEWAY - PLAN
SCALE NONE



TYPICAL DRIVEWAY SECTIONS
SCALE NONE

NOTE: SEE SHEET 15 FOR DRIVEWAY QUANTITIES



GUARDRAIL AT BRIDGE
LAK-283-0460 RT. & LT.
STA. 165+47 TO STA. 166+03
SCALE NONE

- LEGEND
- (1) ITEM 452 - 6" PLAIN CONCRETE PAVEMENT
 - (2) ITEM 404 - 2" ASPHALT CONCRETE, AC-20 (DRIVEWAYS)
 - (3) ITEM 408 - BITUMINOUS PRIME COAT 0.4 GALS / SQ. YD.
 - (4) ITEM 304 - 6" AGGREGATE BASE, AS PER PLAN
 - (A) EXIST. PAVEMENT TO BE REMOVED AND REPLACED
 - (B) EXIST. CONCRETE DRIVEWAY
 - (C) EXIST. ASPHALT DRIVEWAY
 - (D) EXIST. GRAVEL / DIRT DRIVEWAY