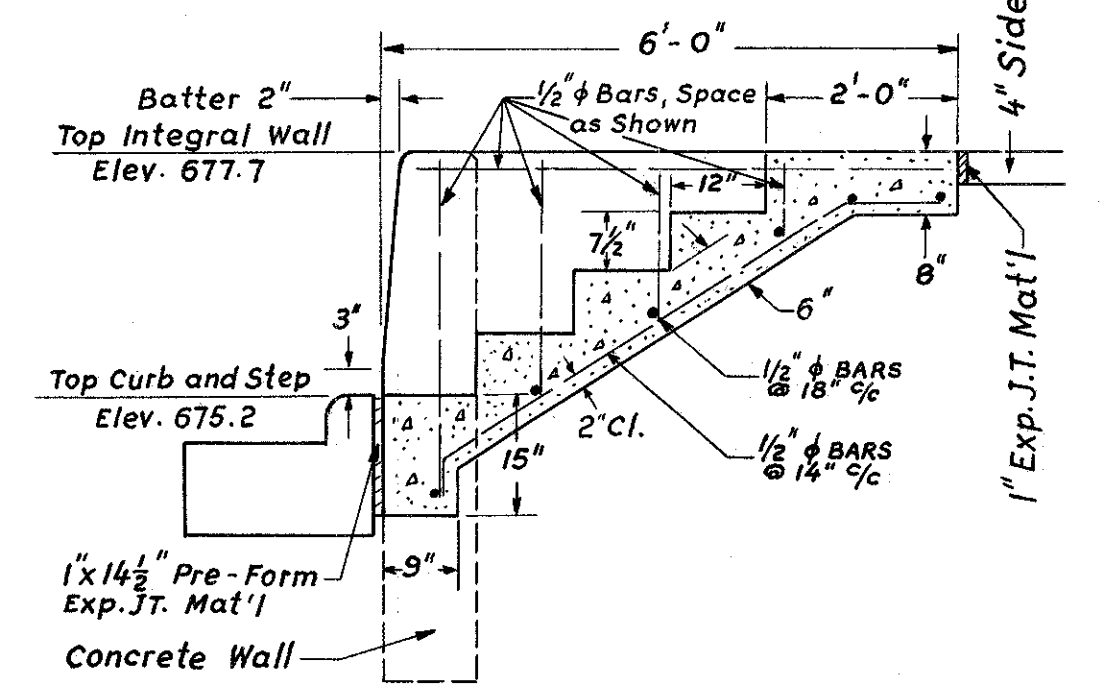
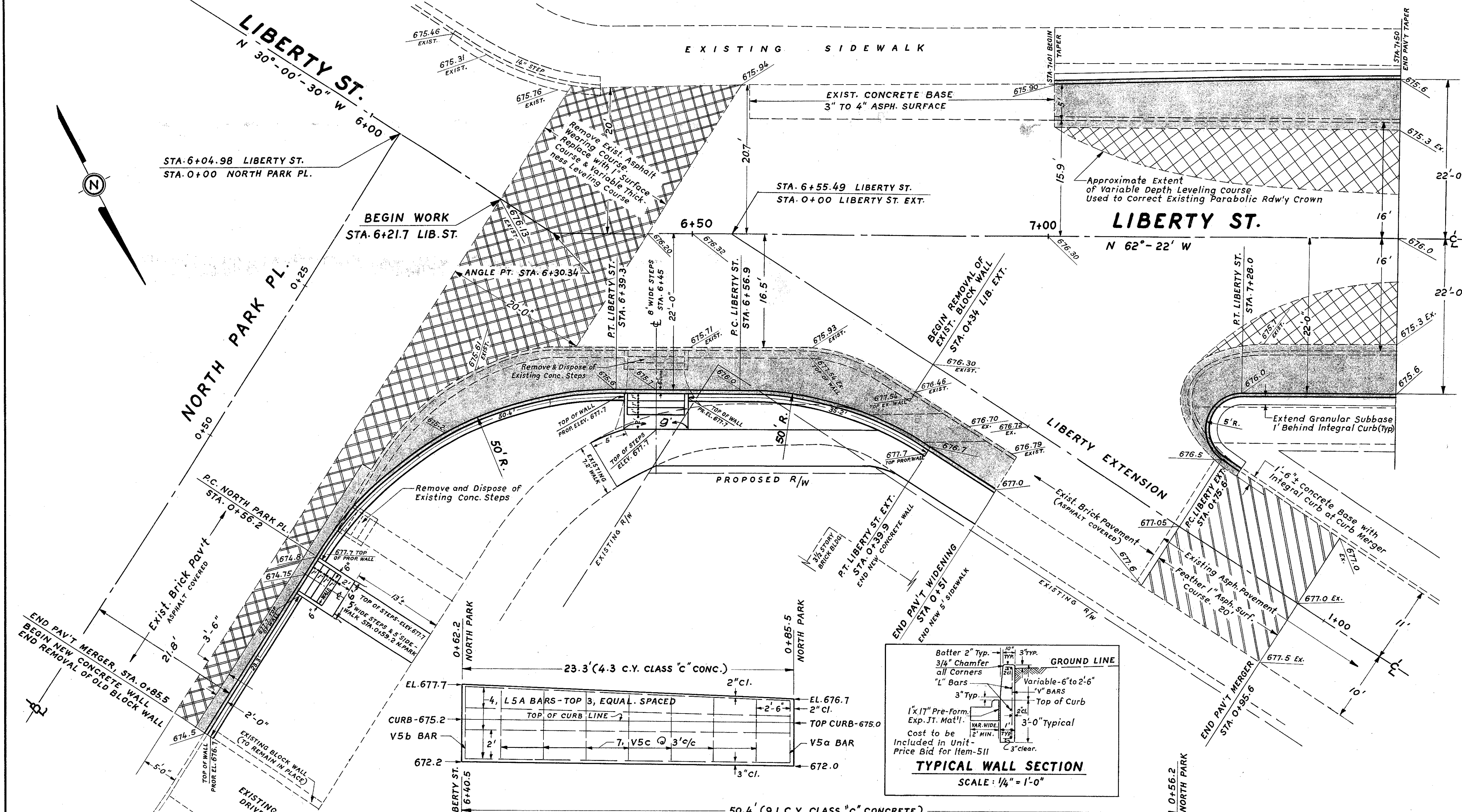


# EXTRA AREA DETAILS

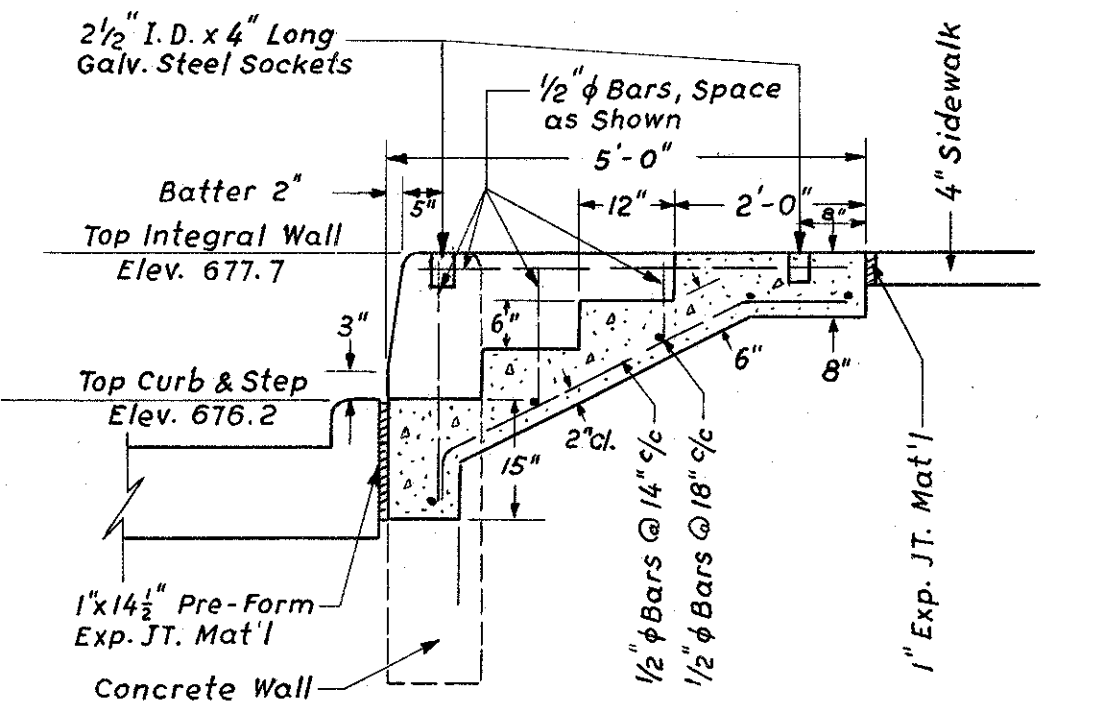
SCALE: 1/8" = 1'-0" (Unless Otherwise Shown)

FED. RD. DIVISION	STATE	PROJECT	13 34
2	OHIO		

LAKE COUNTY  
LAK - 283 - 16.85



**CONCRETE STEPS DETAIL**  
STA. 0+59.2 NORTH PARK  
SCALE: 1/2" = 1'-0"



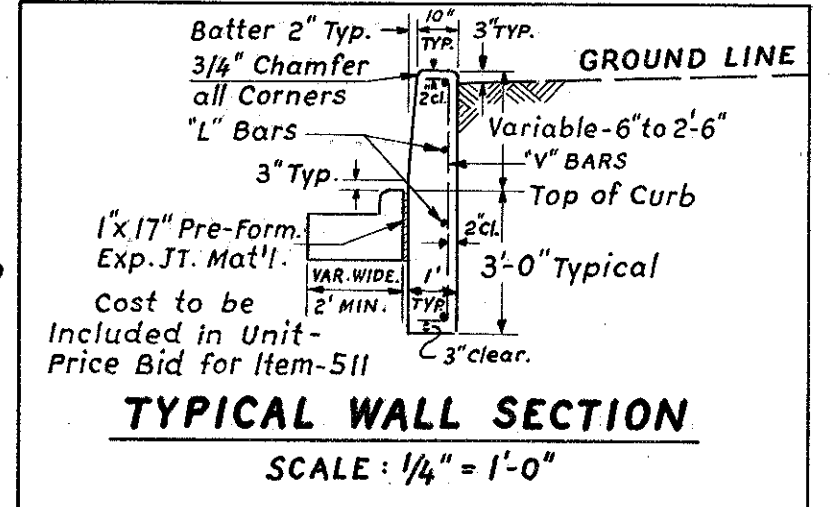
**CONCRETE STEPS DETAIL**  
STA. 6+45 LIBERTY ST.  
SCALE: 1/2" = 1'-0"

**NOTE:**  
Contractor to Imbed 2 1/2" I.D. Galvanized Steel Sleeve Sockets 4 Inches Into Concrete on both Sides of the Steps as Indicated on Plans. (City of Painesville to Provide & Install Hand Railings)

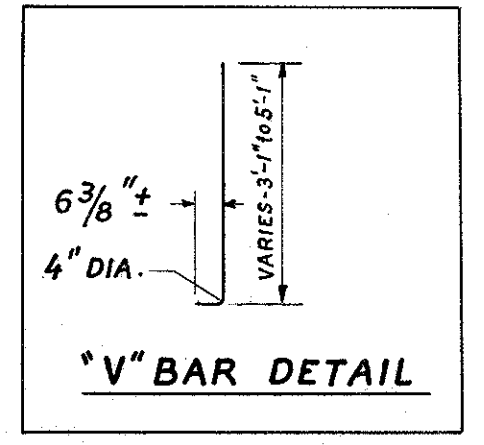
REINFORCING STEEL BAR LIST						
MARK	DIA.	SHAPE	NUMBER	LENGTH	TOTAL LENGTH	WEIGHT LBS.
V5a	5/8"	BENT	1 EA.	4'-9"	4'-9"	3
V5b			1	5'-7"	5'-7"	4
V5c			7	4'-10" to 5'-5"	36'-0"	23
V5d			1	5'-6"	5'-6"	4
V5e			1	4'-8"	4'-8"	3
V5f			16	5'-5" to 4'-8"	81'-0"	51
V5g			1	4'-6"	4'-6"	3
V5h			1	3'-7"	3'-7"	2
V5i			11	4'-5" to 3'-8"	43'-0"	27
L5a	5/8"	STR.	4	22'-11"	91'-8"	57
L5d			8	25'-10"	206'-8"	129
L5g			6	18'-3"	109'-6"	69

ITEM-509, REINFORCING STEEL, TOTAL WT. = 375 #

- ITEM-511 Concrete for Structures, Class "C" Total Class "C" Concrete (for Wall) ..... 18.5 C.Y.
- ITEM-503 Excavation for Structures ..... 30 C.Y.
- ITEM-202 Existing Concrete Steps Removed & Disposed of (STA. 6+45 LIBERTY ST. & STA. 0+49 N.PARK) ... Lump Sum
- ITEM-202 Existing Structures Removed (Block Wall, STA. 0+34 Lib. Ext. to 0+85.5 N.P.) ... Lump Sum



**CONCRETE WALL DETAILS**  
SCALE: 1/4" = 1'-0"



- LEGEND**
- NEW PAVEMENT (1"-404, 1 1/2"-402, 9"-305, 6"-310 AND 407 TACK COAT @ 0.10 GAL/SQ. YD.)
  - REMOVE & DISPOSE OF EXISTING ASPHALT WEARING COURSE, REPLACE WITH 1"-404 AND VARIABLE DEPTH 402; 407 TACK COAT.
  - ITEM 402, ASPHALT CONCRETE, VARIABLE DEPTH (0" MIN.) USED TO CORRECT EXISTING PARABOLIC ROADWAY CROWN; 1" ITEM 404; 407 TACK COAT
  - FEATHER 1"-404; 407 TACK COAT
  - 1" ITEM 404; ITEM 407 TACK COAT