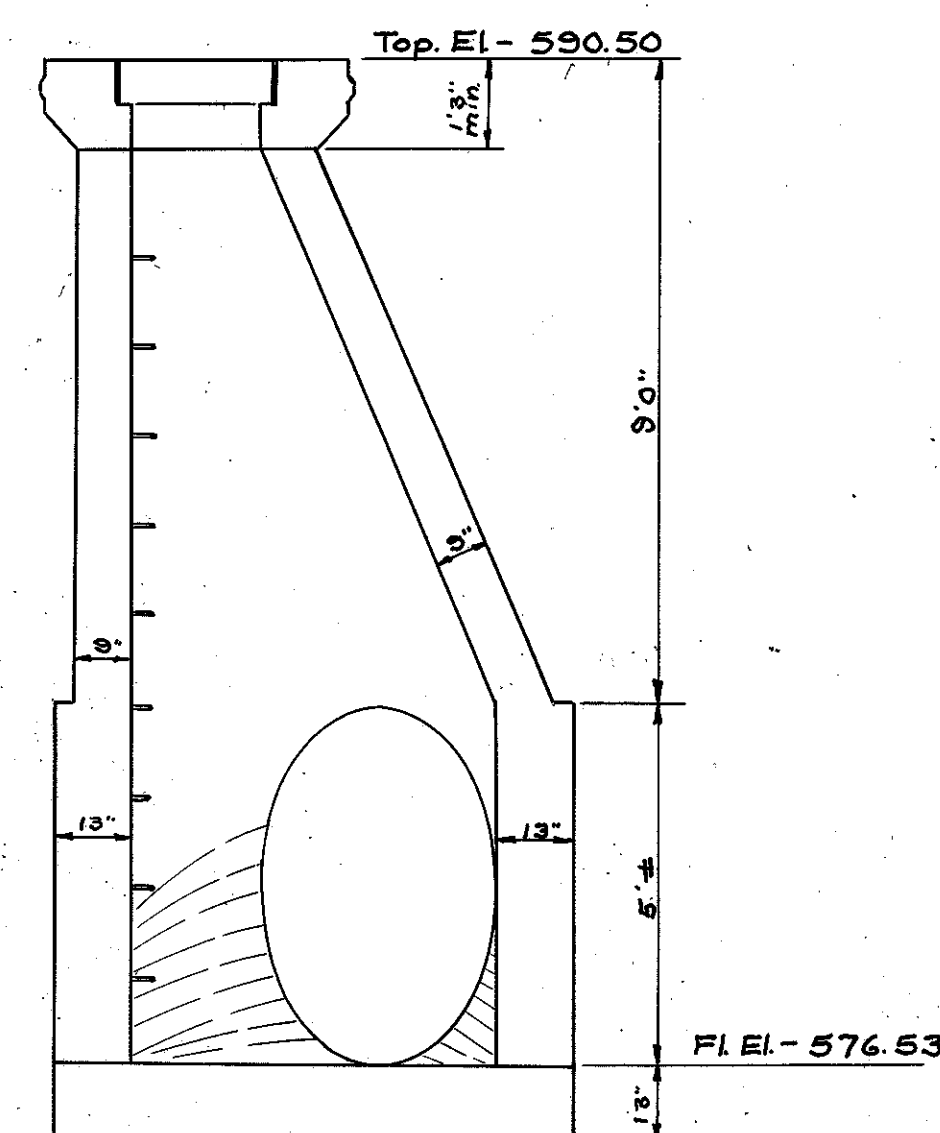
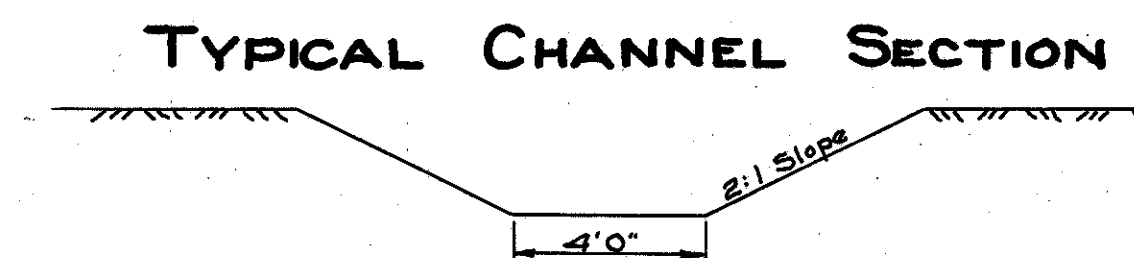
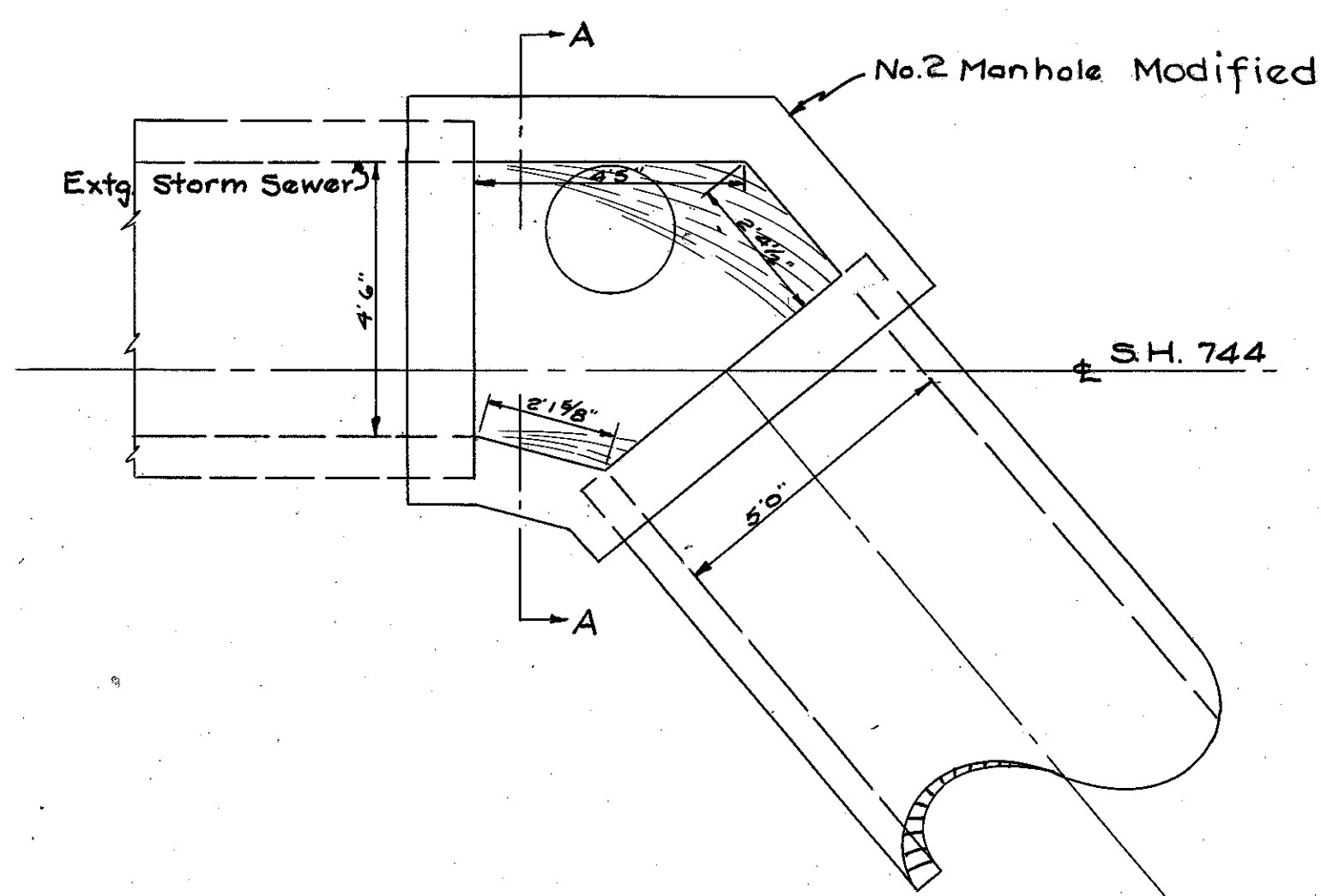
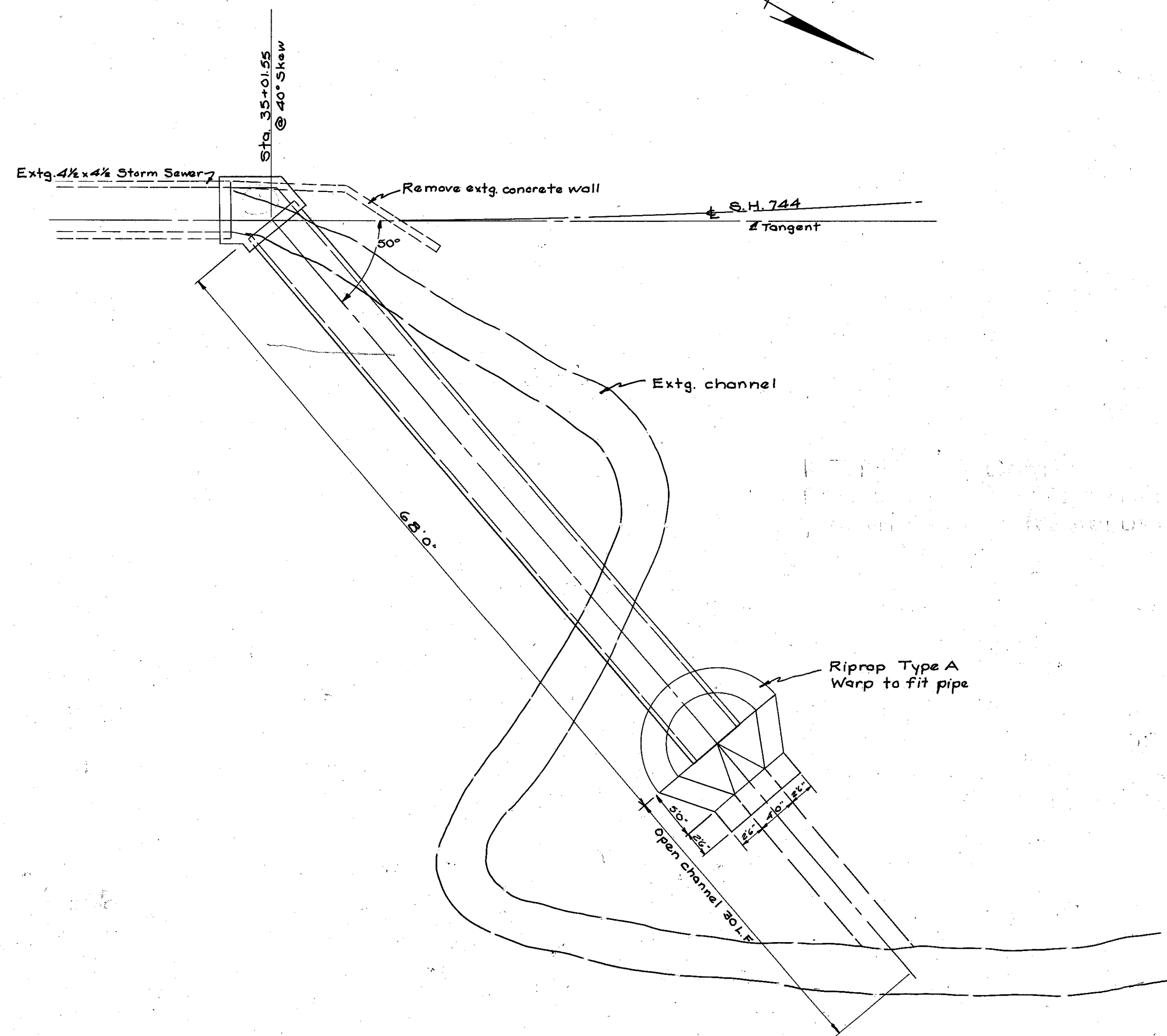


FED. RD. DIST. NO.	STATE	PROJECT	FISCAL YEAR
10	OHIO		1945

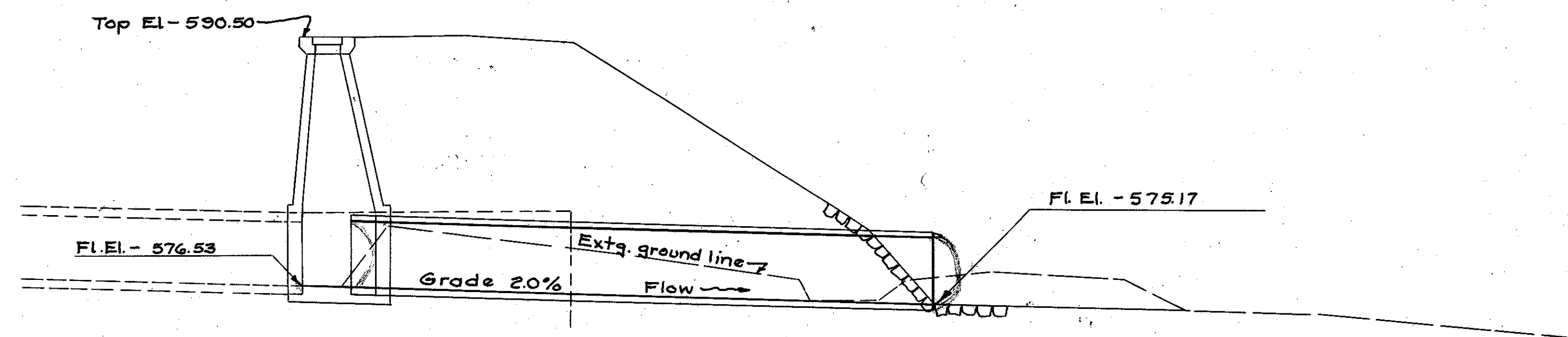
27.  
28

LAKE COUNTY  
S.H. 520 SEC. PAINESVILLE (PT)  
S.H. 744 SEC. PAINESVILLE (PT)  
& FAIRPORT (PT)



SECTION A-A  
Scale 3/8" = 1'

Station	Channel Exc.	
	E.A.	C.Y.
0 + 98	0	6
0 + 80	18	12
0 + 68 End of Sewer	36	
<b>Total</b>	<b>18</b>	



**DRAINAGE STRUCTURE C-3**  
STA. 35+01.55 CULVERT No. LA-535-  
Scale 1/8" = 1'

**CULVERT DATA**  
TYPE: Standard Pipe Culvert  
SIZE: 60" by 68" @ 40° skew  
STD DRWGS: S-27 PC-3 & I-B M.H. No. 2  
WORK REQ'D: Remove extg. concrete wing wall. Build new No. 2 Manhole at end of extg. storm sewer. Build new 60" standard pipe culvert with riprap at rt. end. Excavate channel 30' Rt as shown.

**ESTIMATED QUANTITIES**

60" Standard Culvert Pipe	68 Lin. ft.
Structure Excavation	35 Cu. yds.
Channel Excavation	18 Cu. yds.
No. 2 Manhole (Modified)	1 Each
Riprap Type A 12" thick, grouted	17 Sq. yds.
Removal of portion of existing structure	5 Cu. yds.

Drawn by: MBR Traced by: MBR Checked by: