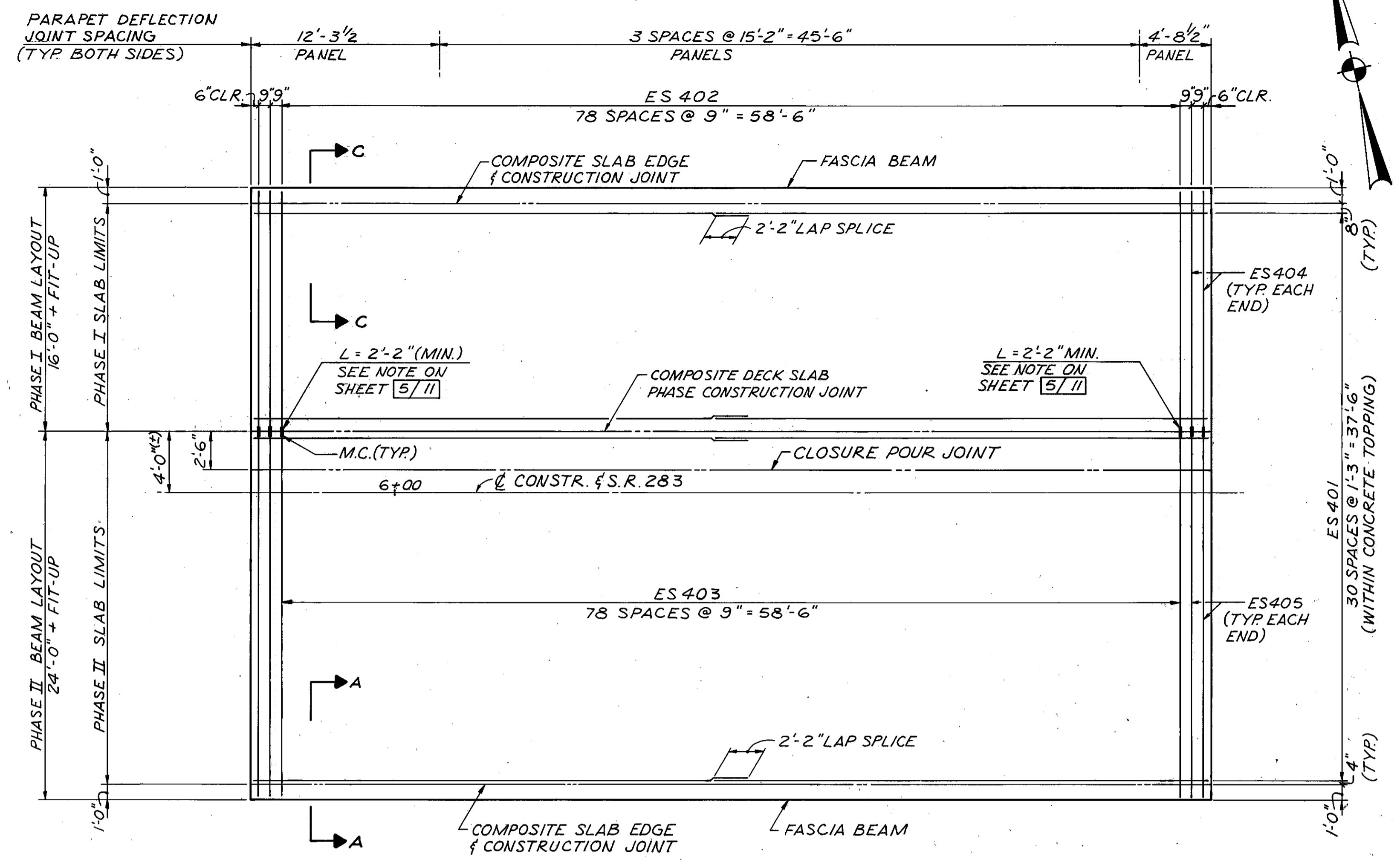
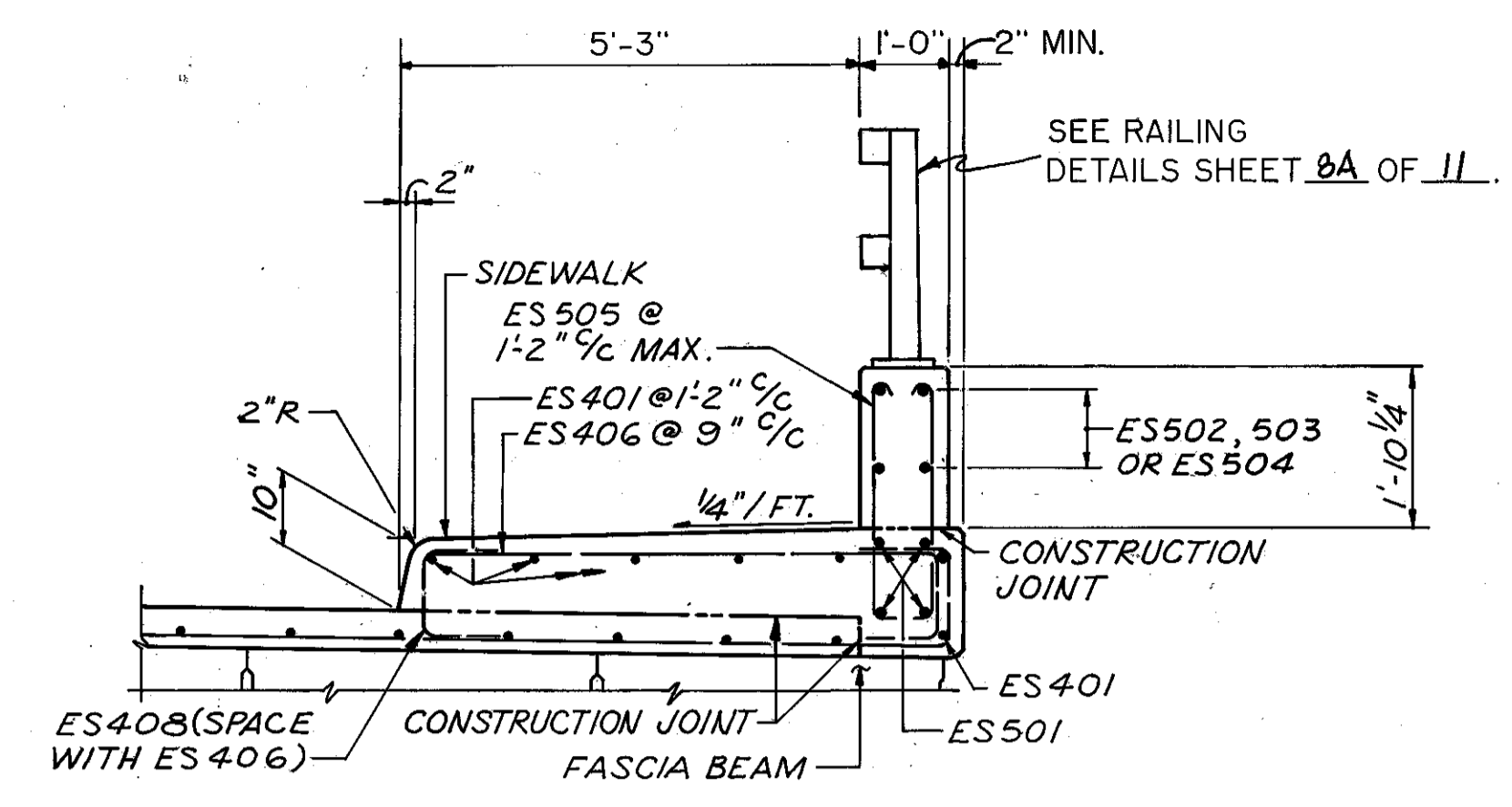


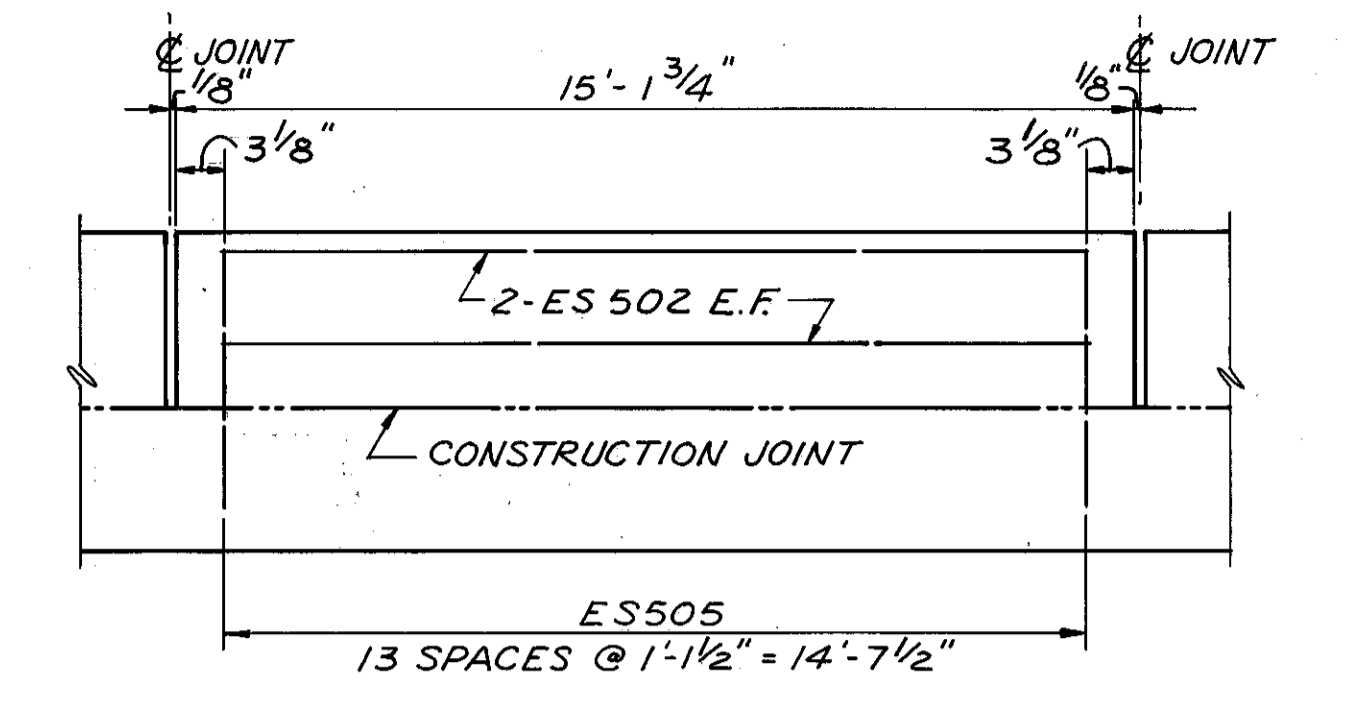
LAKE COUNTY
 LAK-283-11.65



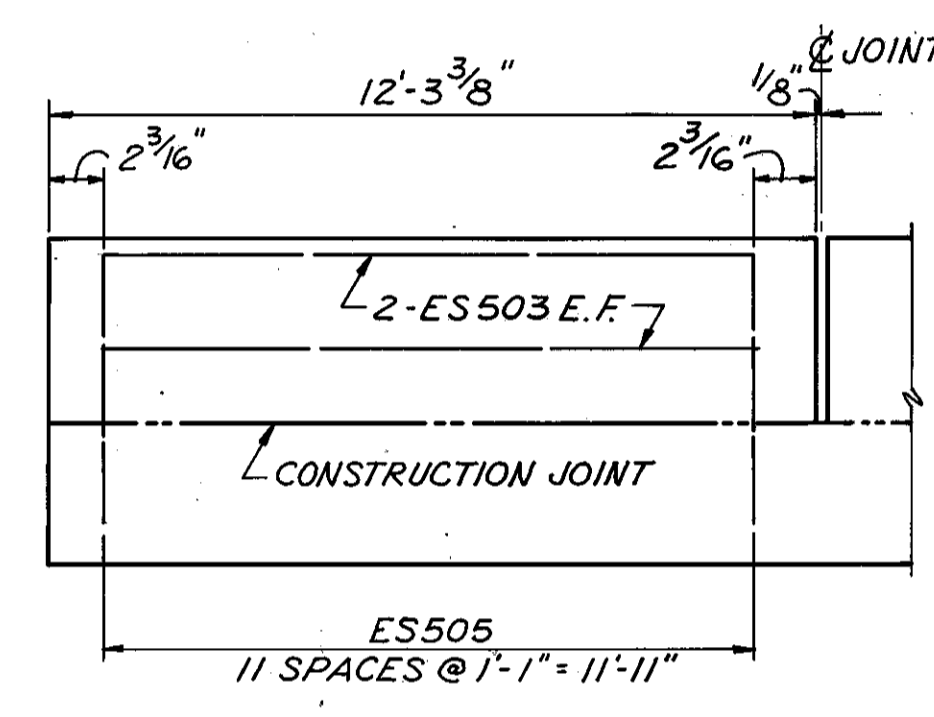
DECK PLAN



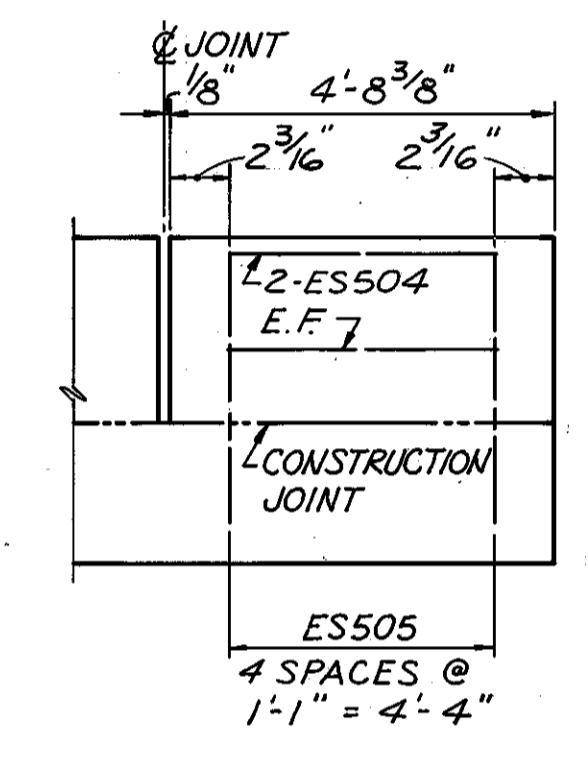
SECTION A-A



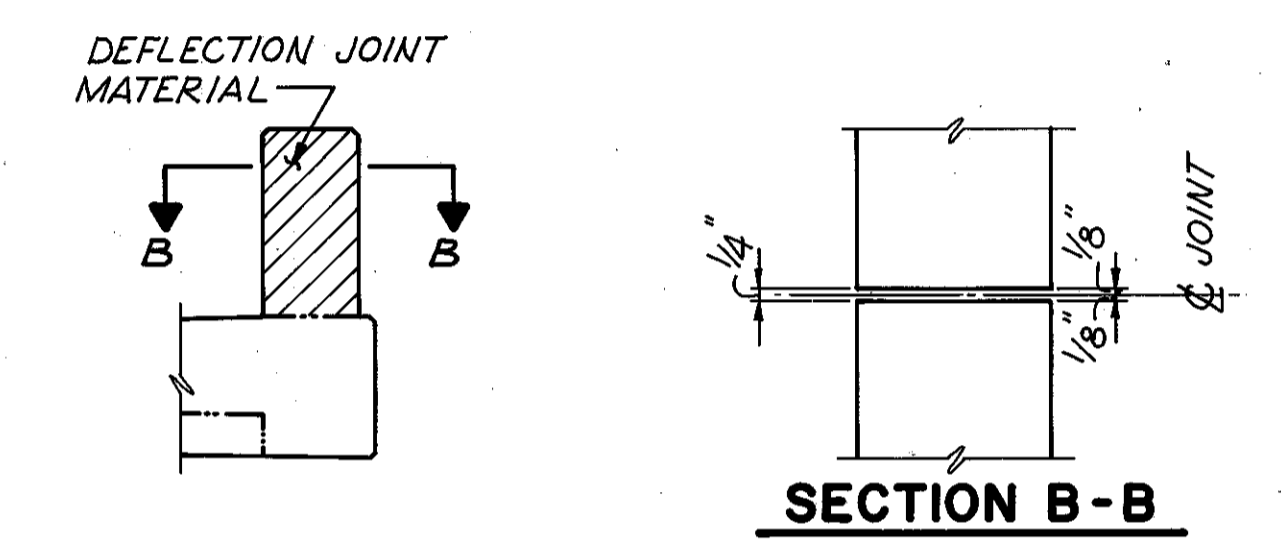
15'-2" @ C PANEL



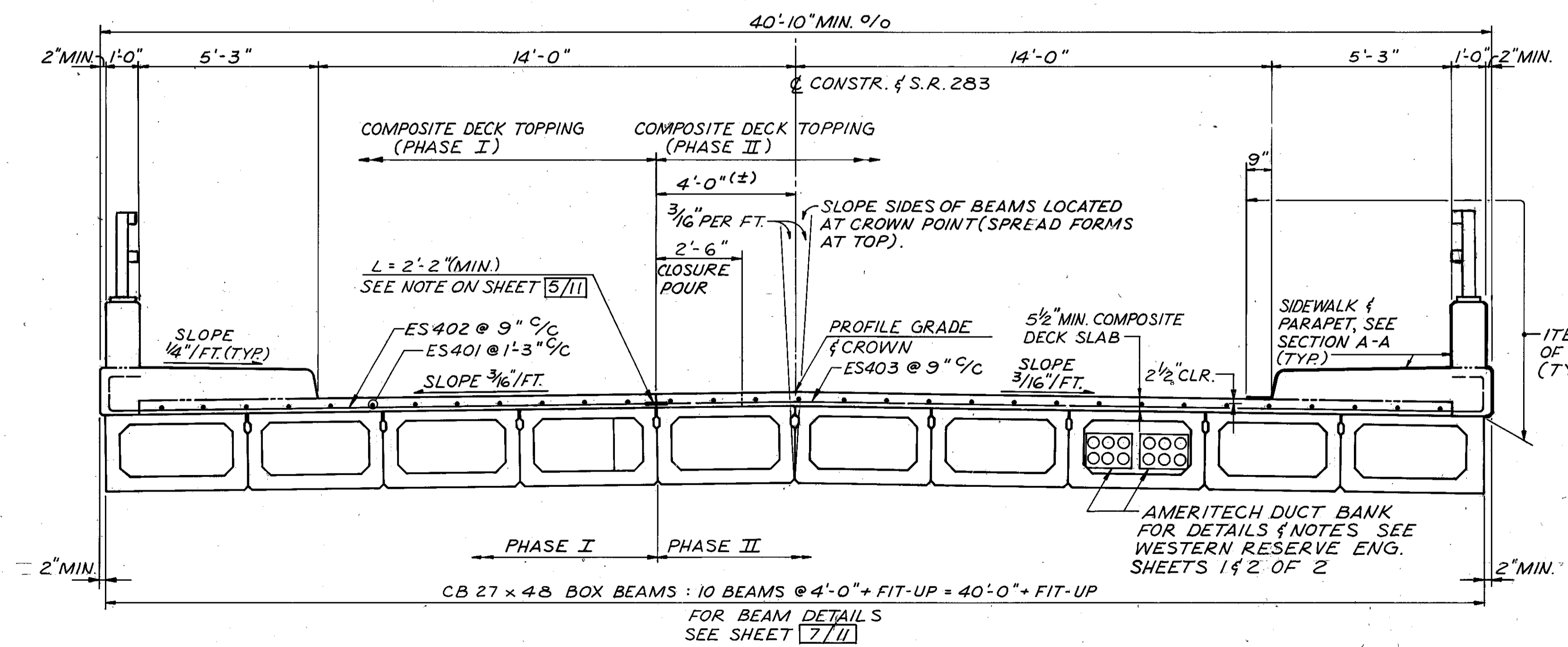
12'-3 1/2" @ C PANEL



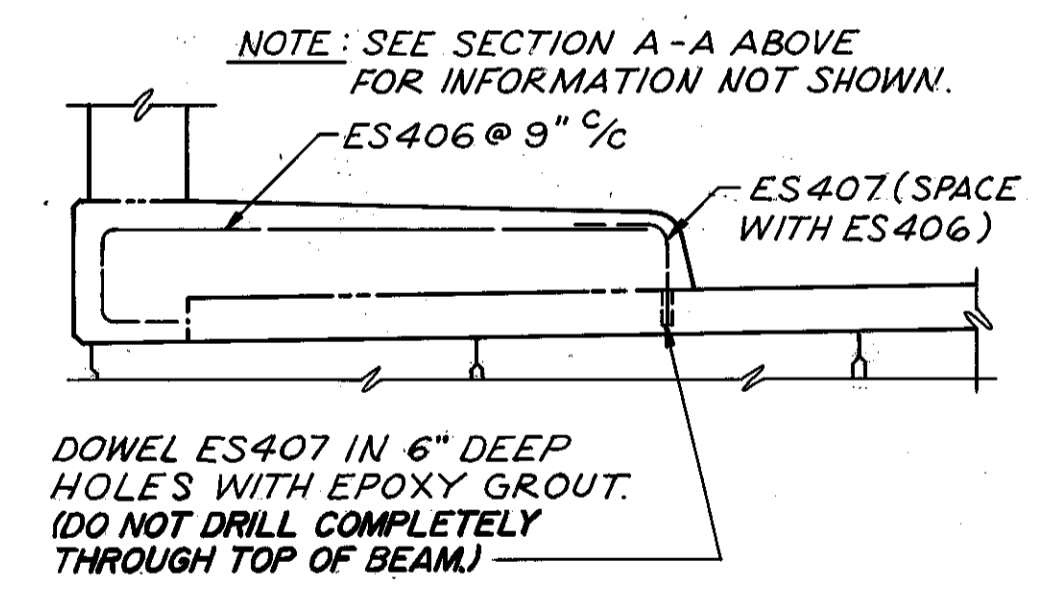
4'-8 1/2" @ C PANEL



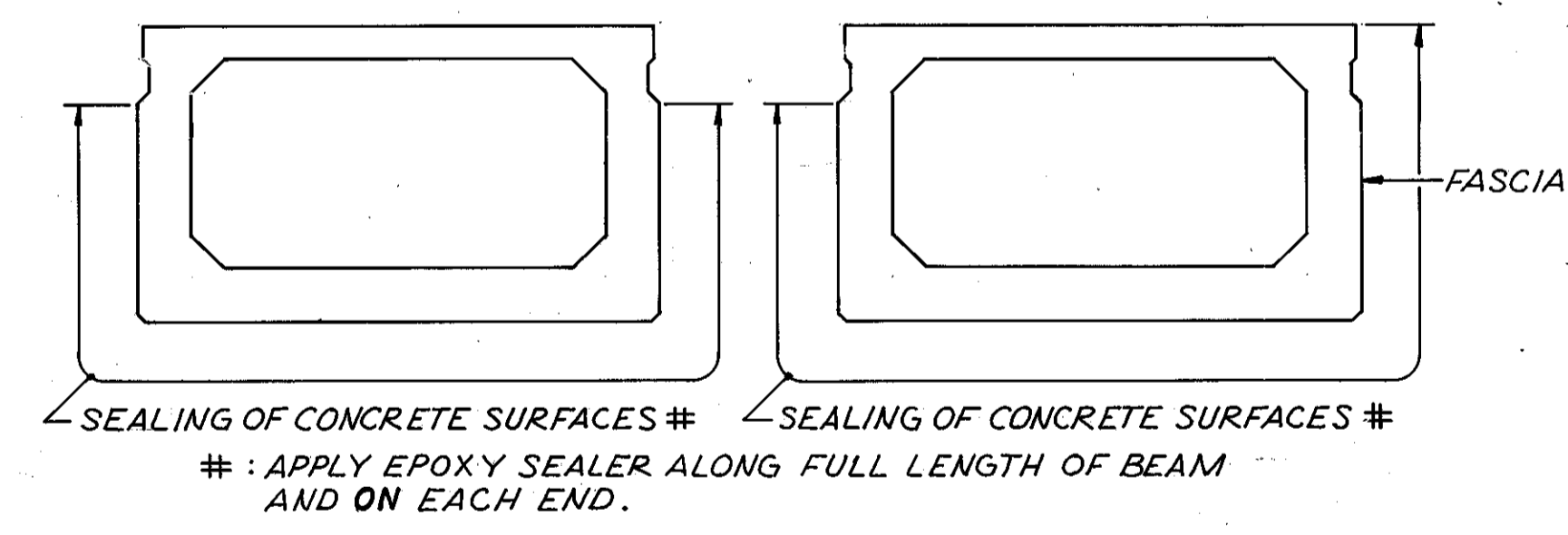
TYPICAL PARAPET DEFLECTION JOINT DETAIL



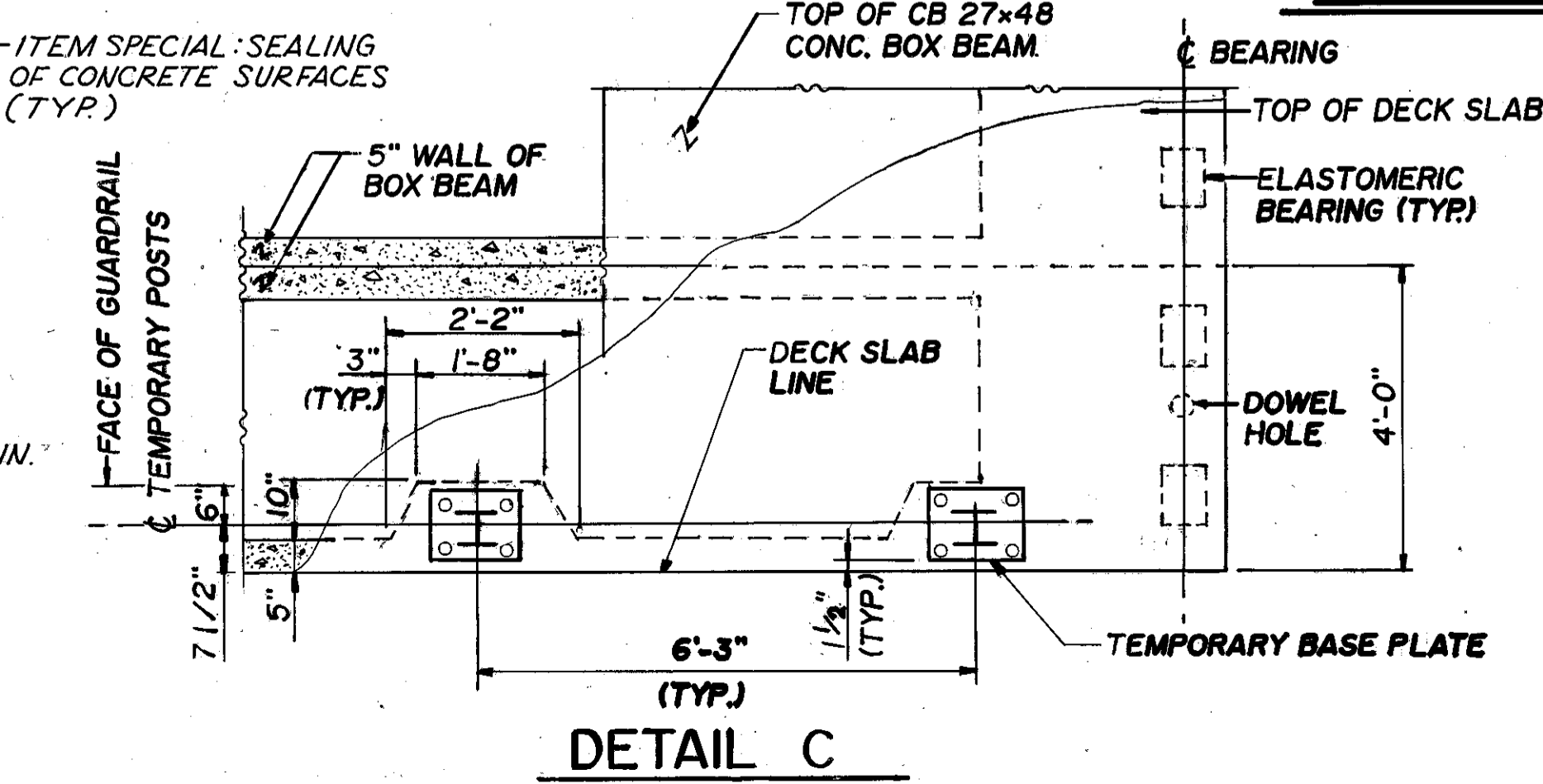
TRANSVERSE CROSS SECTION



SECTION C-C (PHASE III)



INTERIOR BEAM EXTERIOR BEAM SEALING OF BOX BEAMS DETAILS



DETAIL C

JOHN E. FOSTER AND ASSOCIATES, INC. 8/11
 2999 Payne Ave., Cleveland, Ohio 44114

SUPERSTRUCTURE DECK PLAN, SECTIONS AND DETAILS
 BRIDGE NO. LAK-283-11.65
 SR 283 OVER MENTOR MARSH

LAKE COUNTY STA. 5+89.50
 STA. 6+54.50

DESIGNED	DRAWN	TRACED	CHECKED	REVIEWED	DATE	REVISED
H.W.R.	D.M.T.	-	L.I.	H.S.S.	1/93	ODOT BRIDGES 2/95