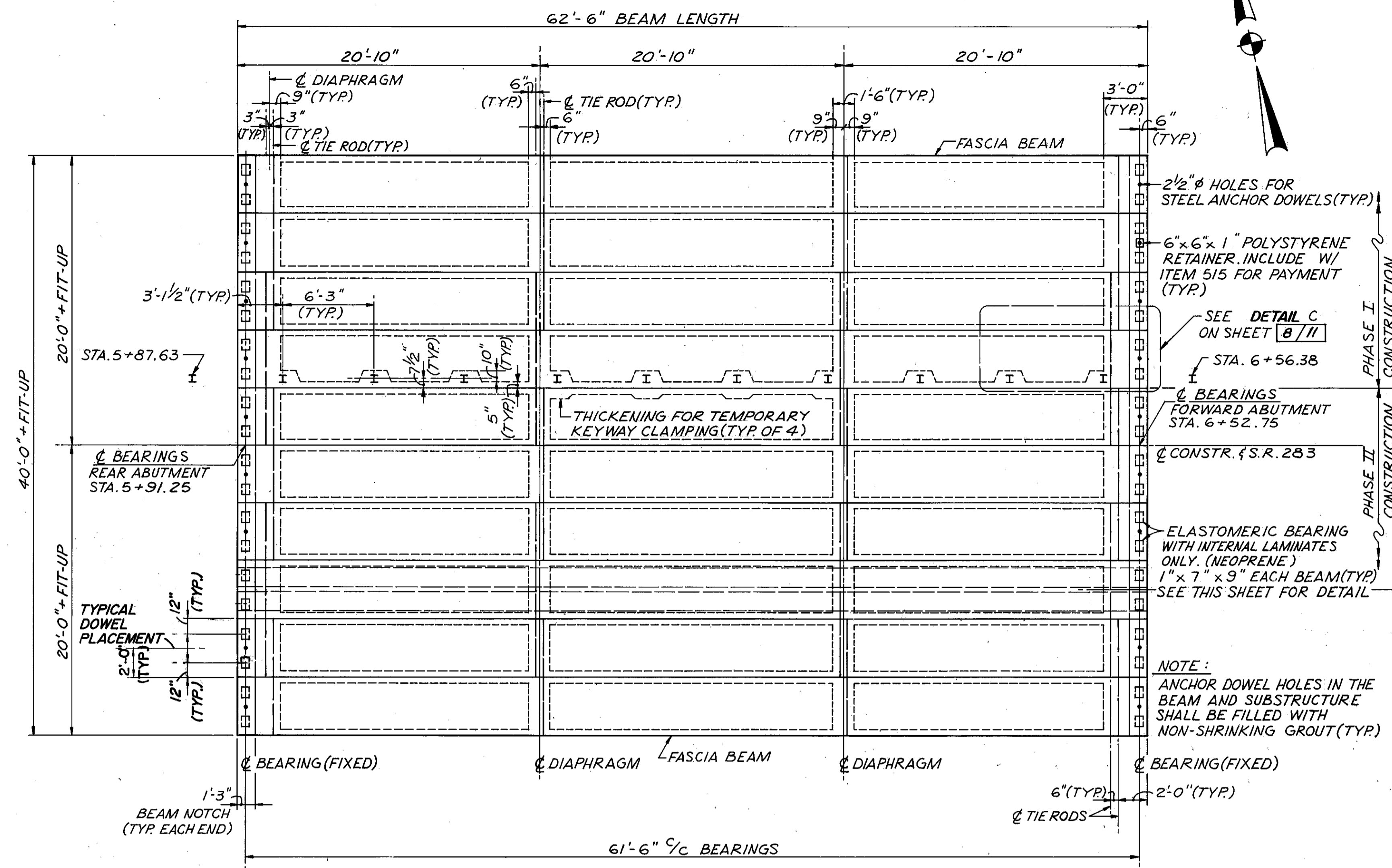


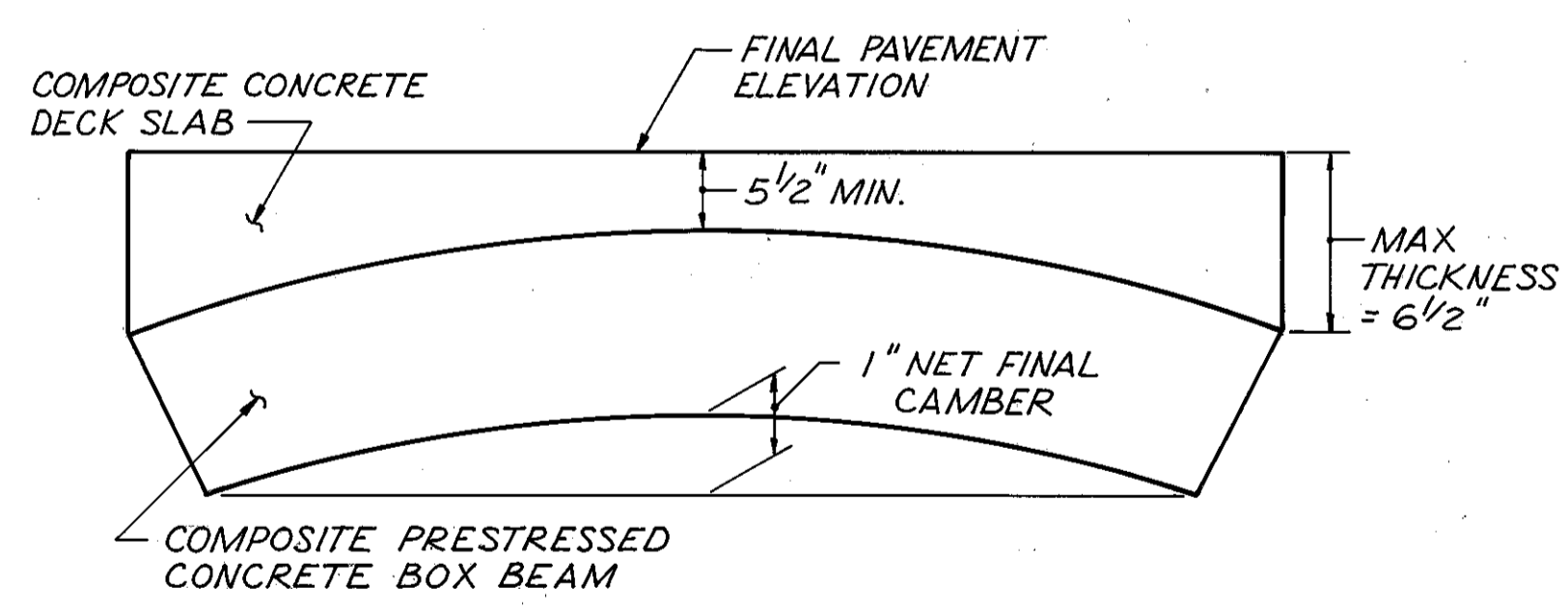
LAKE COUNTY
 LAK-283-11.65



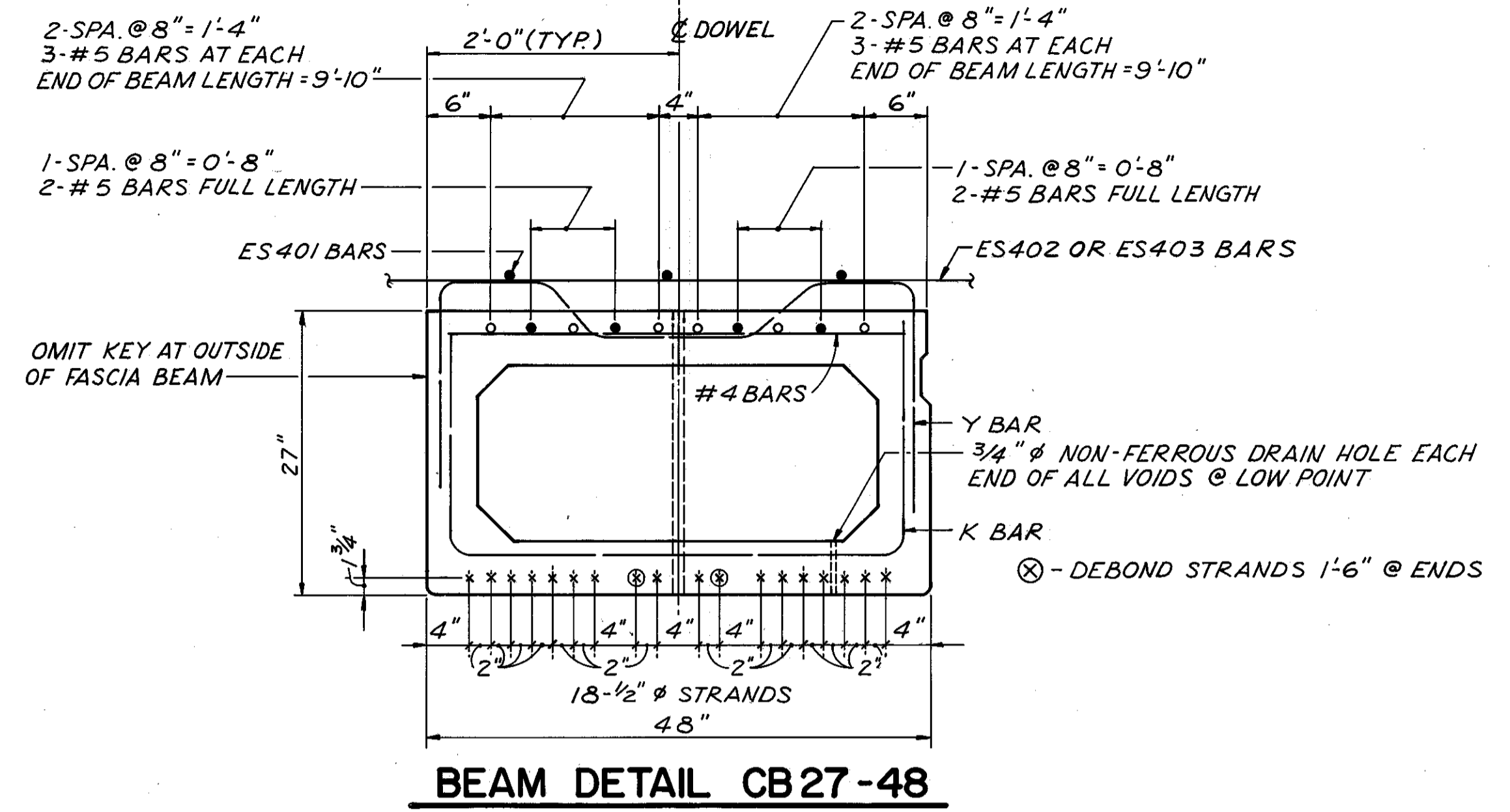
PLAN LAYOUT OF BEAMS AND TRANSVERSE TIE RODS

NOTES:

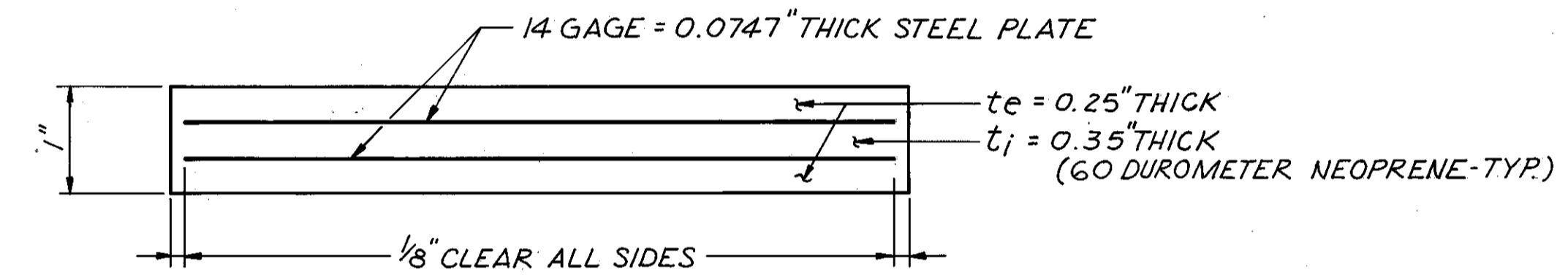
1. CALCULATED CAMBER AT TIME OF PAVING, INCLUDING ALLOWANCE FOR CAMBER GROWTH DUE TO CREEP, IS 1 1/2".
2. CALCULATED DEFLECTION DUE TO THE WEIGHT OF THE CONCRETE TOPPING AND RAILING IS 1/2".
3. NET FINAL CAMBER OF BEAMS IS 1". THIS IS 1" IN EXCESS OF THE AMOUNT REQUIRED TO PLACE THE CONCRETE TOPPING PARALLEL TO PROFILE GRADE. THE EXCESS AMOUNT SHALL BE COMPENSATED FOR BY THICKENING THE TOPPING FROM 5 1/2" AT THE CENTER OF SPAN TO 6 1/2" AT THE ENDS.
4. REFER TO PSBD-1-93 FOR: BEAM LIFTING INSERTS, ANCHOR DOWELS, REINFORCEMENT AT BEAM ENDS AND WALL THICKENING AT GUARDRAIL ANCHORS, END DETAILS OF TRANSVERSE TIE ROD ANCHORAGE, TYPICAL PLANS OF DIAPHRAGMS, TRANSVERSE TIE RODS, BEAM DIMENSIONAL TOLERANCES AND ANY DETAILS AND/OR NOTES NOT SHOWN HEREON.
5. PRESTRESSING STRAND: 1/2" DIAMETER, 270K, SEVEN WIRE, ASTM A416, UNCOATED, STRESS-RELIEVED STRANDS. AREA = 0.153 SQ. IN. EACH. INITIAL TENSION = 28,900 LBS.
6. BEAM LIFTING INSERTS MUST BE PROVIDED OUTSIDE NOTCHED ENDS OF CB 27 BEAMS.
7. FOR DETAILS AND NOTES, SEE SHEETS [10 & 11/11].
8. NO ANCHOR DOWELS SHALL BE PROVIDED FOR THE BEAM CONTAINING AMERITECH CONDUITS.



CONCRETE THICKNESS DIAGRAM

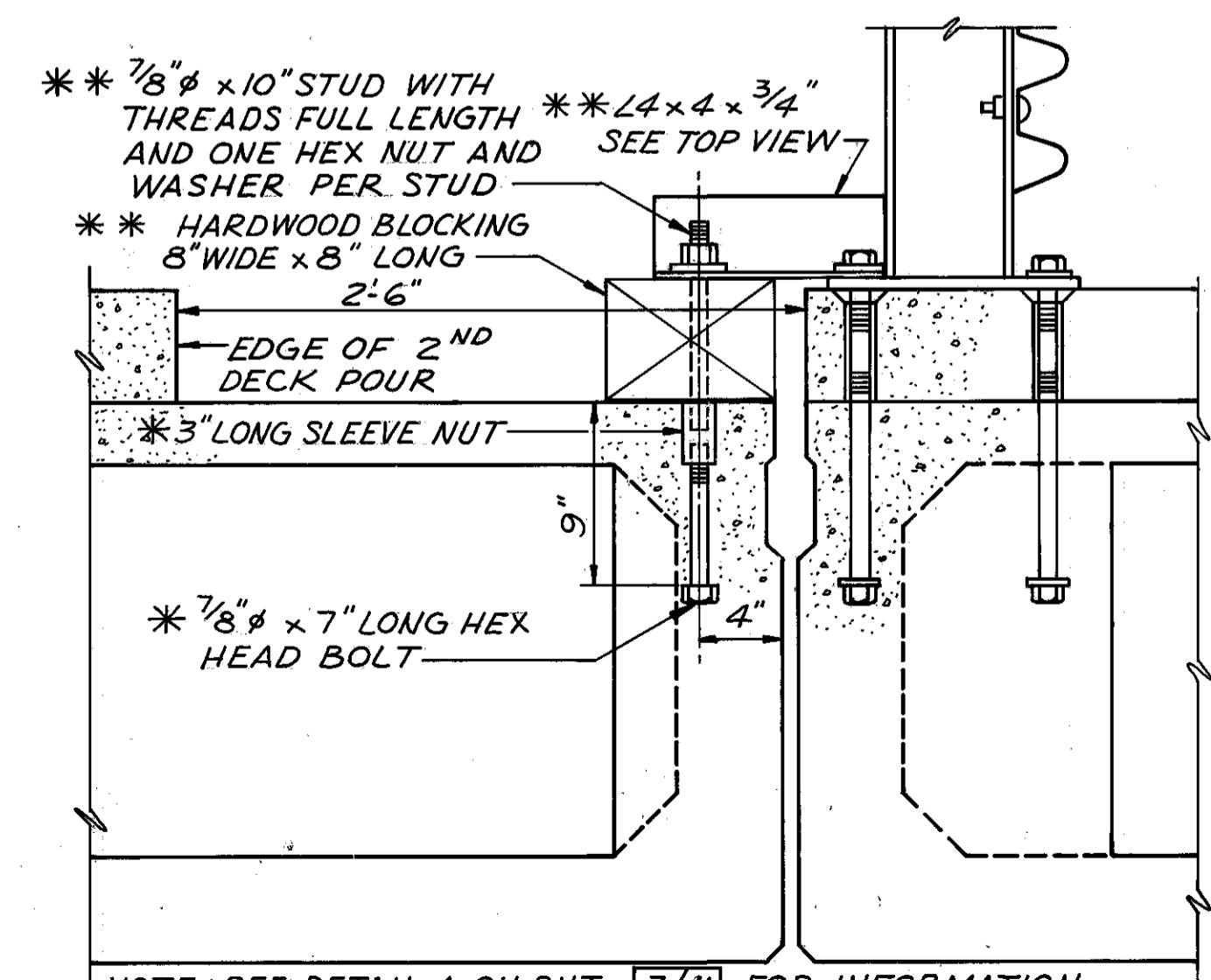


BEAM DETAIL CB27-48



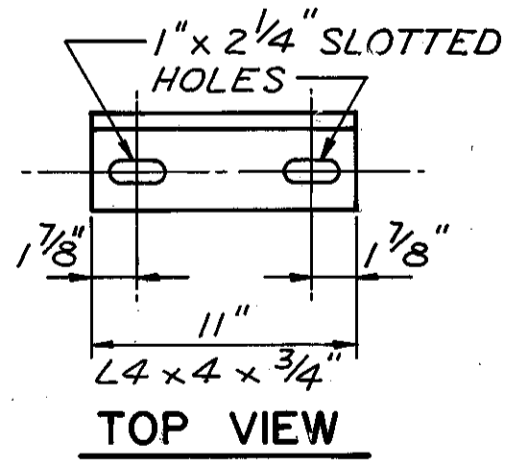
ELASTOMERIC BEARING WITH INTERNAL LAMINATES ONLY (NEOPRENE) 1" x 7" x 9"

D.L. = 20.6 KIPS (PER BEARING)
 L.L. w/o IMPACT = 10.5 KIPS (PER BEARING)
 MAXIMUM DESIGN LOAD = 31.1 KIPS



NOTE: SEE DETAIL A ON SHT. [3/11] FOR INFORMATION NOT SHOWN.

TEMPORARY SHEAR KEYWAY CLAMPING DETAIL



TOP VIEW

* INCLUDED WITH BOX BEAMS FOR PAYMENT
 ** INCLUDED WITH TEMPORARY GUARDRAIL FOR PAYMENT

JOHN E. FOSTER AND ASSOCIATES, INC. 7/11
 2999 Payne Ave., Cleveland, Ohio 44114

SUPERSTRUCTURE

BRIDGE NO. LAK-283-11.65
 SR 283 OVER
 MENTOR MARSH

LAKE COUNTY STA. 5+89.50
 STA. 6+54.50

DESIGNED	DRAWN	TRACED	CHECKED	REVIEWED	DATE	REVISED
H.W.R.	D.M.T.	-	L.I.	H.S.S.	1/93	ODOT BRIDGES 2/95