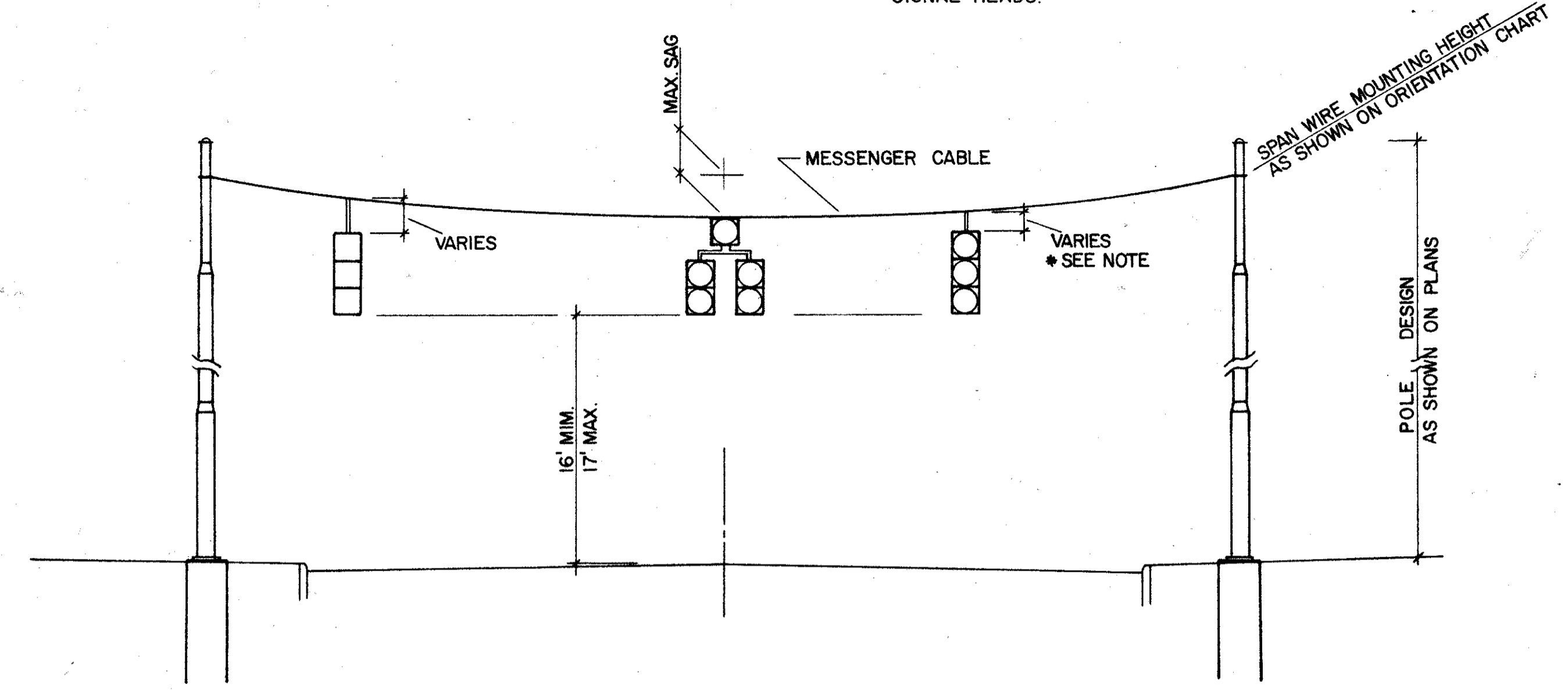


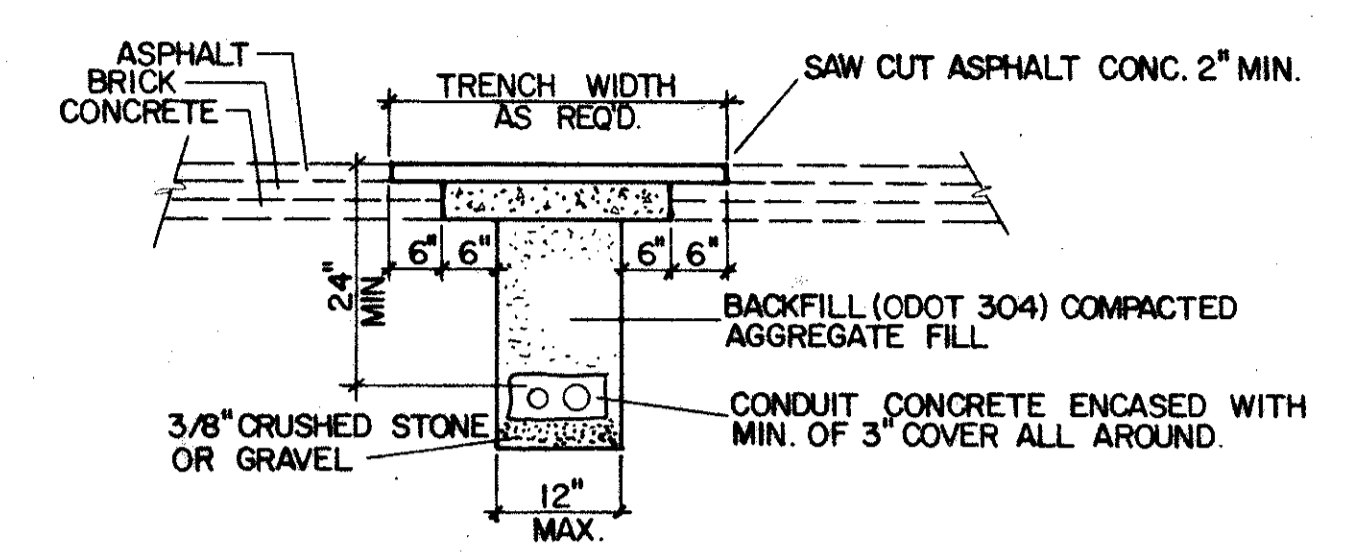
PIT-2A-28

CALC BY		OHIO	25
DATE		FHWA	25
CHKD BY	LAK-283/640-0.23/0.00	REGION	5
DATE		FEDERAL	
IX-ID99(14)		PROJECT	

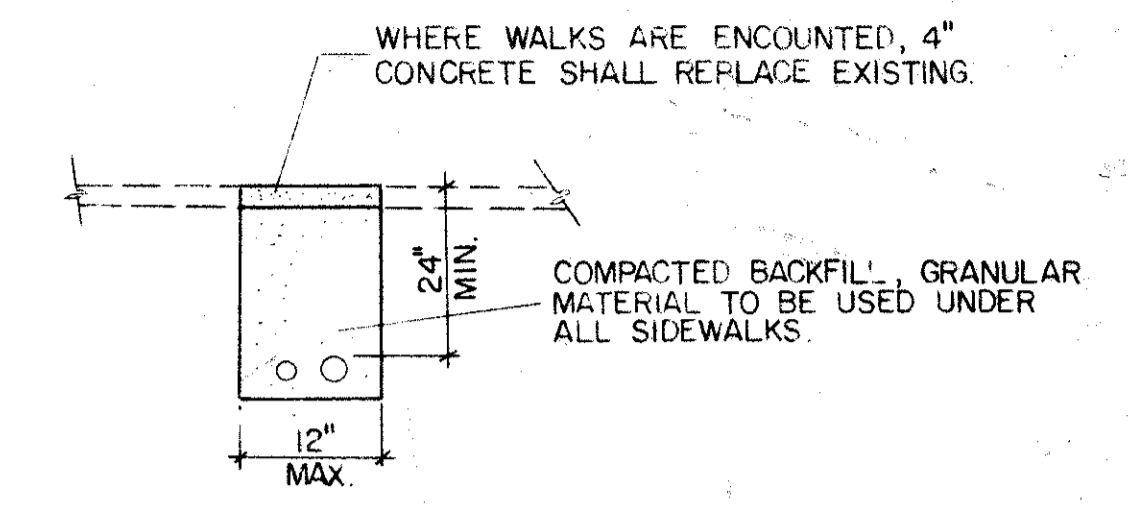
NOTE: DROP PIPE VARIES TO MAINTAIN 16' TO 17' CLEARANCE TO BOTTOM OF SIGNAL HEADS.



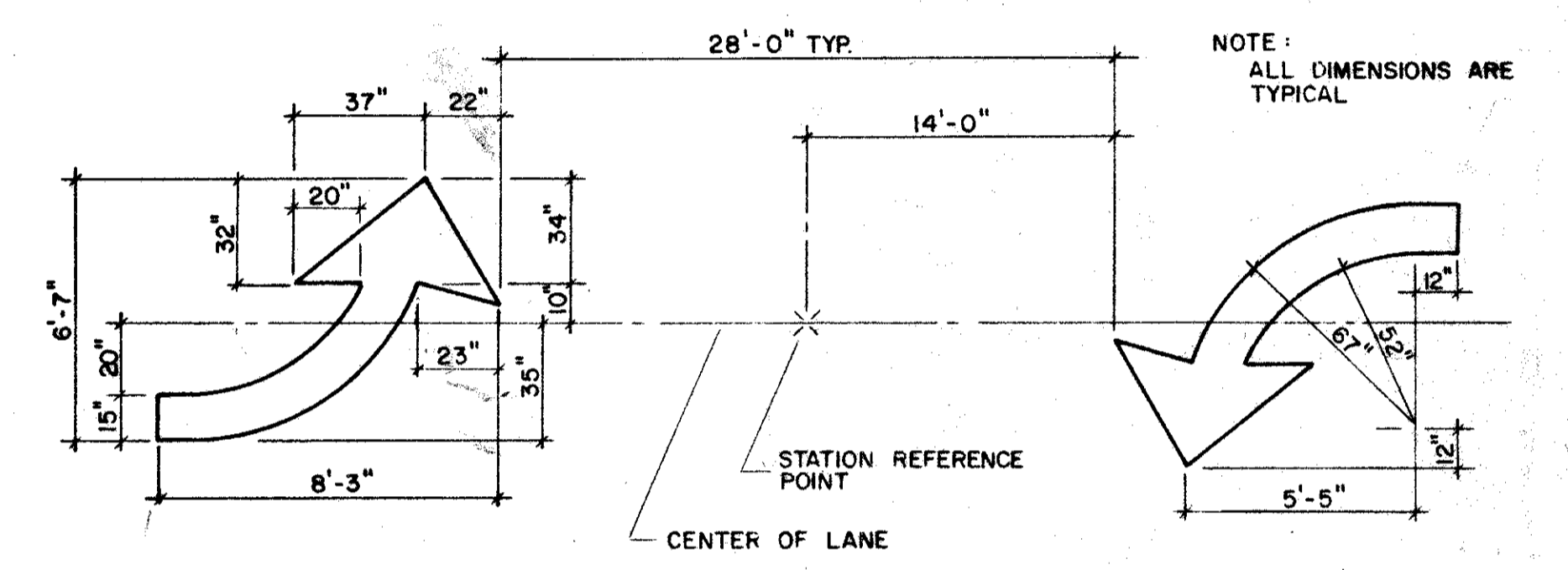
TYPICAL SPAN ELEVATION



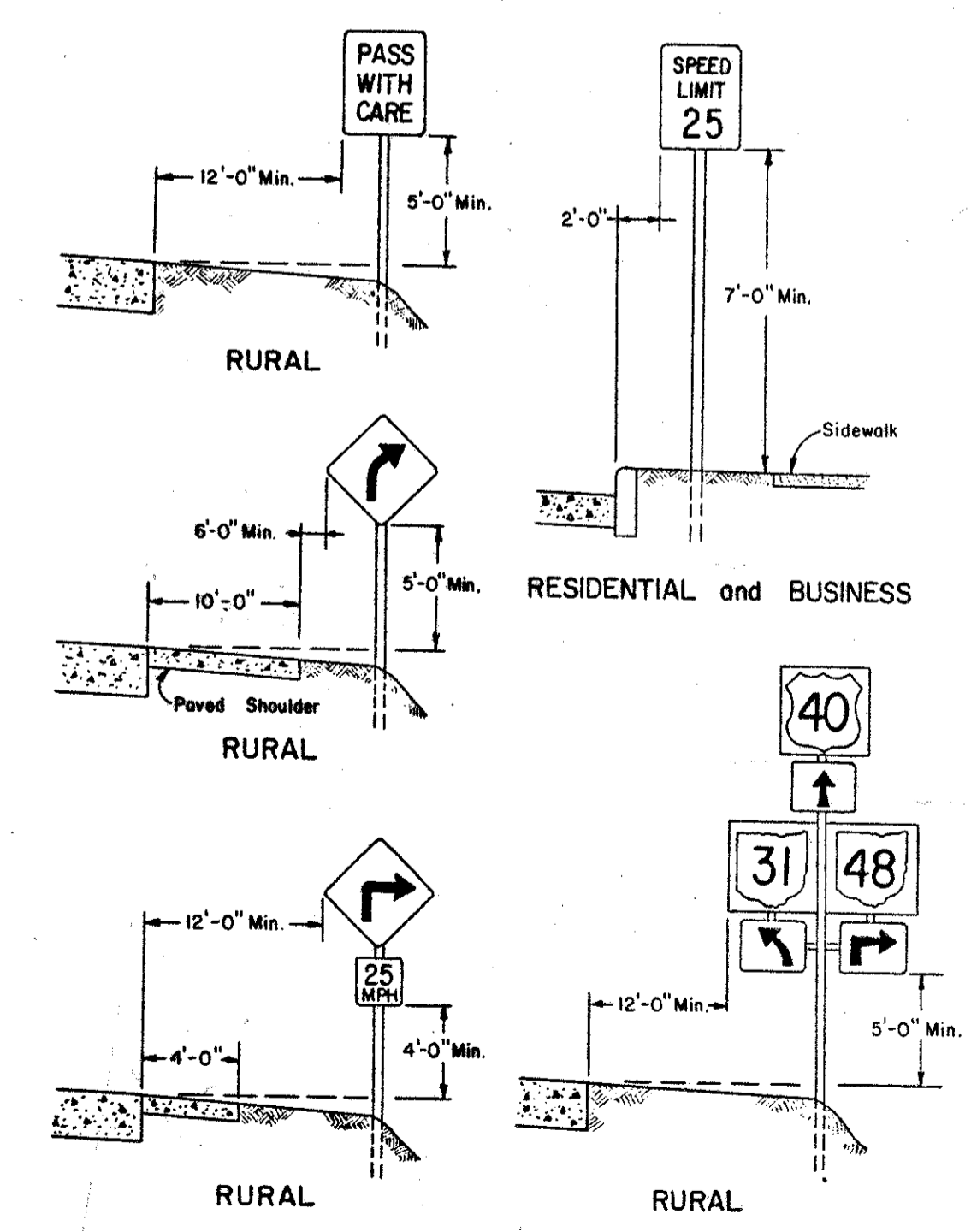
TYPICAL TRENCH DETAIL TYPE-B



TYPICAL TRENCH DETAIL TYPE-A



TYPICAL TWO-WAY LEFT TURN ARROWS



TYPICAL GROUND MOUNTED SIGNS



TYPICAL SIGN FOR PED. PUSHBUTTONS

TRAFF-PRO CONSULTANTS INC. WILLOUGHBY, OHIO						
STATE OF OHIO DEPARTMENT OF TRANSPORTATION						
DETAILS						
DESIGNED	DRAWN	TRACED	CHECKED	REVIEW	DATE	REVISED

BRUNING 44132 62820