


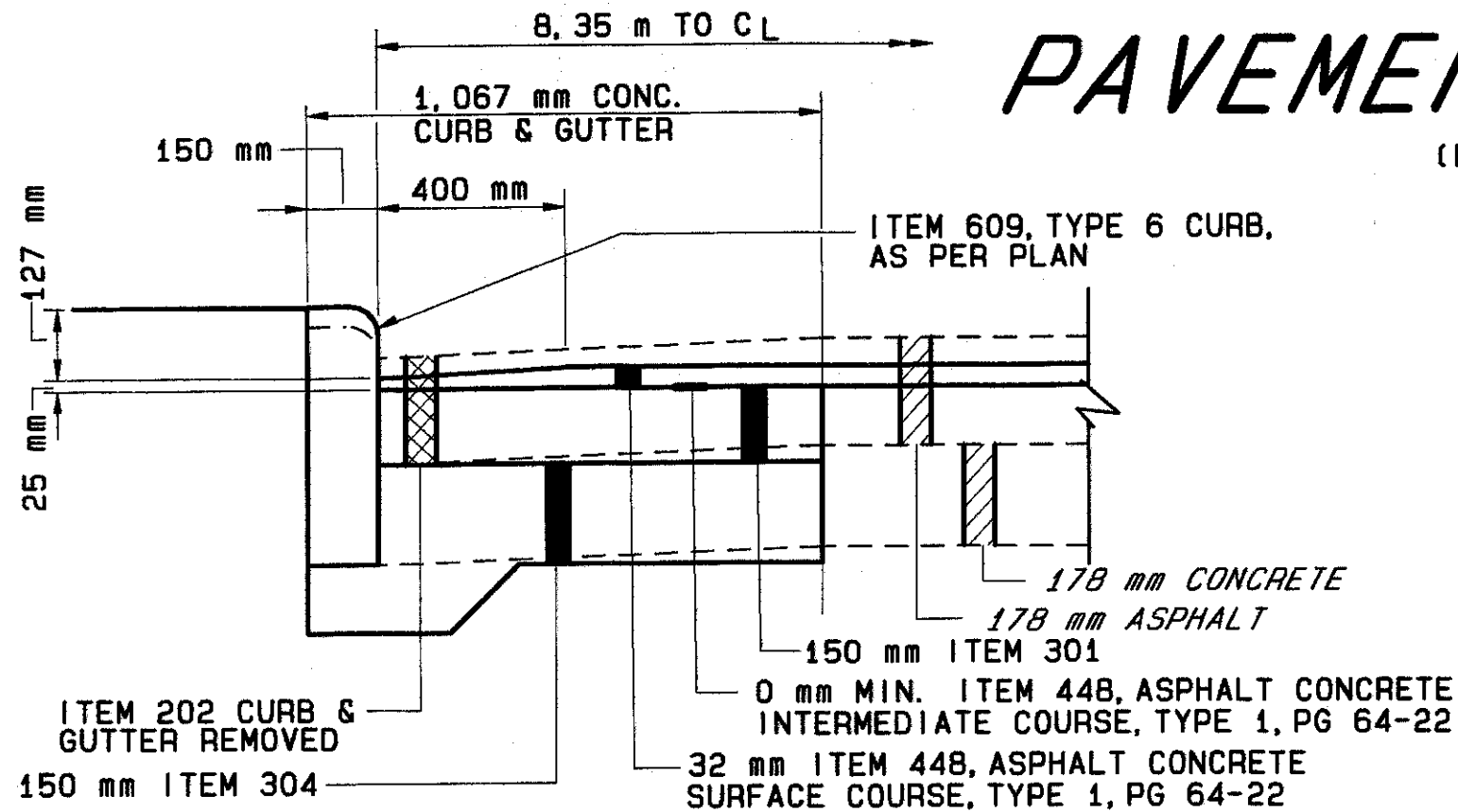
# PAVEMENT DETAILS

(NOT TO SCALE)

LAKE COUNTY  
LAK-283-0.000  
 metric  
units

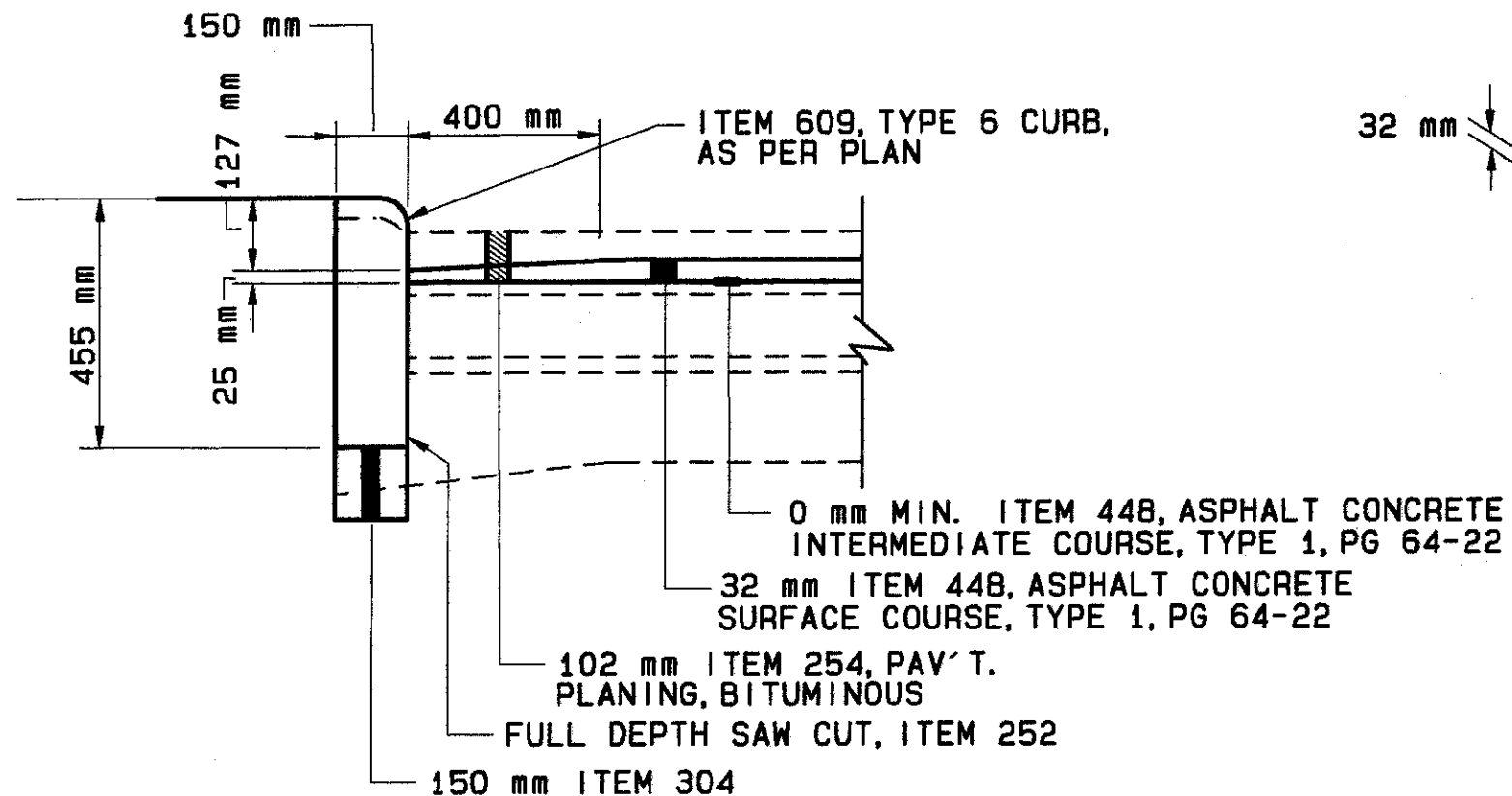
72  
121

PLAN NO.

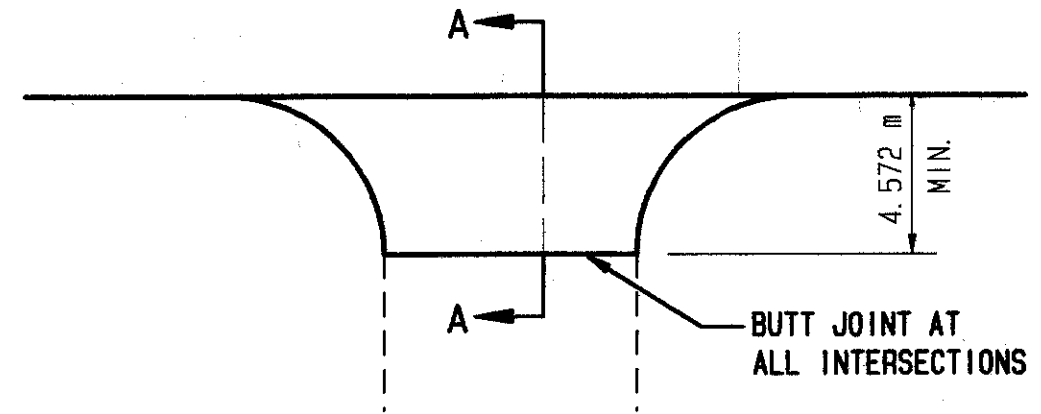


## PAVEMENT REPLACEMENT DETAIL

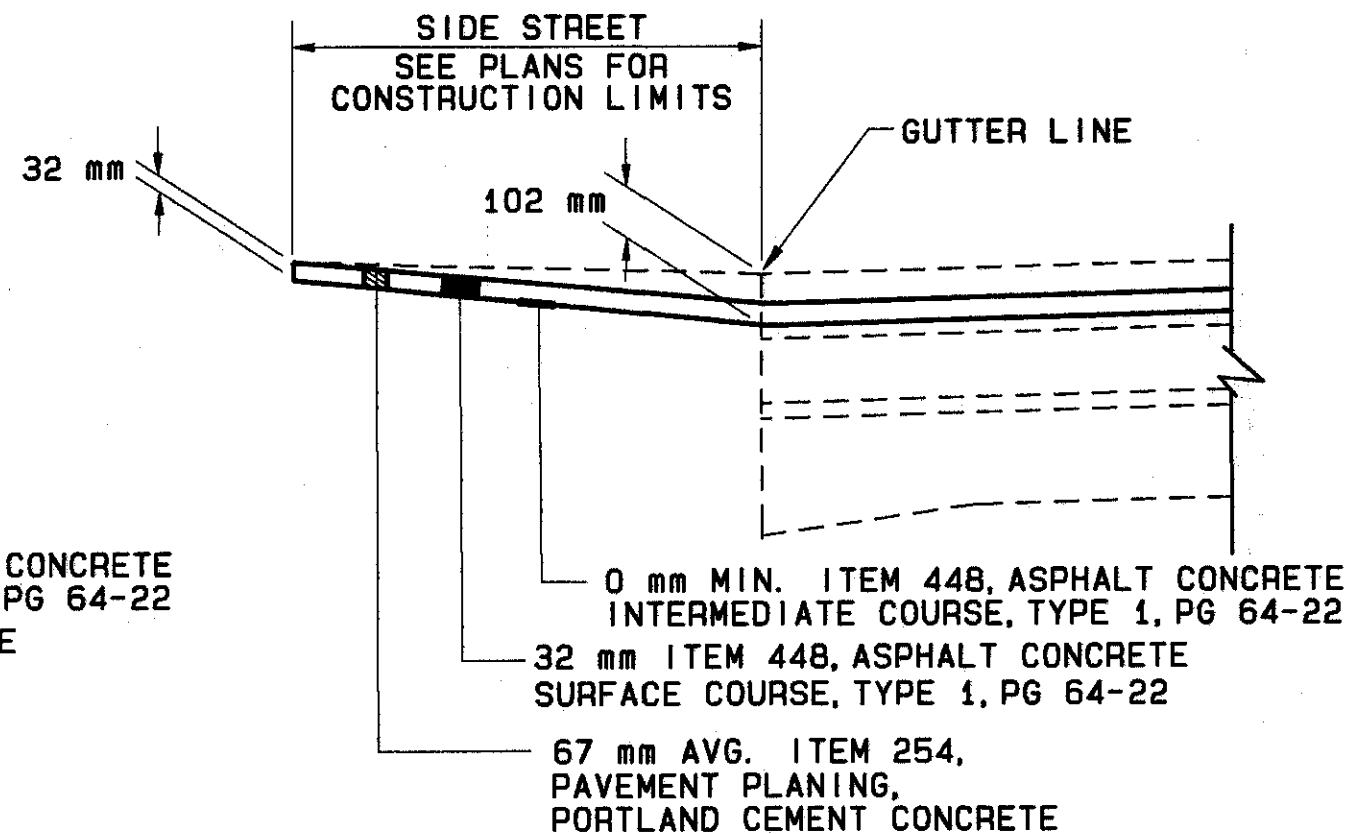
STA. 1+891.3± TO STA. 2+294.0± LEFT



## VERTICAL CURB DETAIL



## INTERSECTION DETAIL



## SECTION A-A

STA. 0+000.000 TO STA. 2+326.843

93300 FRI 08/08/97 01:12 PM MATT FILES: D104.PLT

DETAILS - LAYER 104