

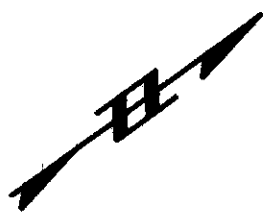
93300 WED 12/04/96 03:33 PM MATT FILES: LSP48.PLT BD48.PLT

LAKE COUNTY
LAK-283-0.000



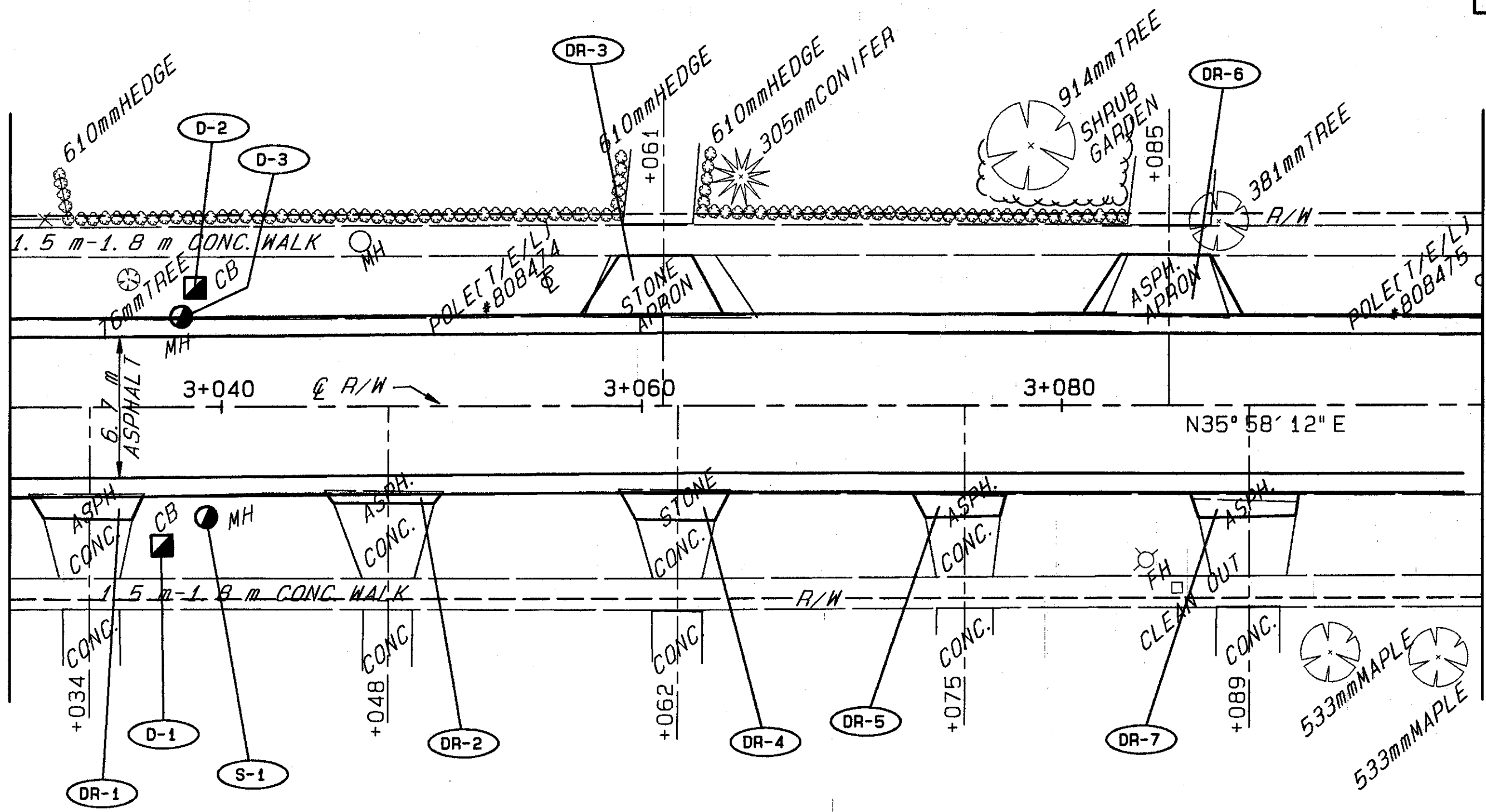
62
121

PLAN NO.



SEE SHEET NO. 61
MATCH LINE STA. 3+030.000

MATCH LINE STA. 3+100.000
SEE SHEET NO. 63



PLAN STA. 3+030.000 TO STA. 3+100.000