

LAKE COUNTY  
S.H. 520 SEC.  
WILLOWICK (PT.)

### SPECIAL CURB INLET NO. 3

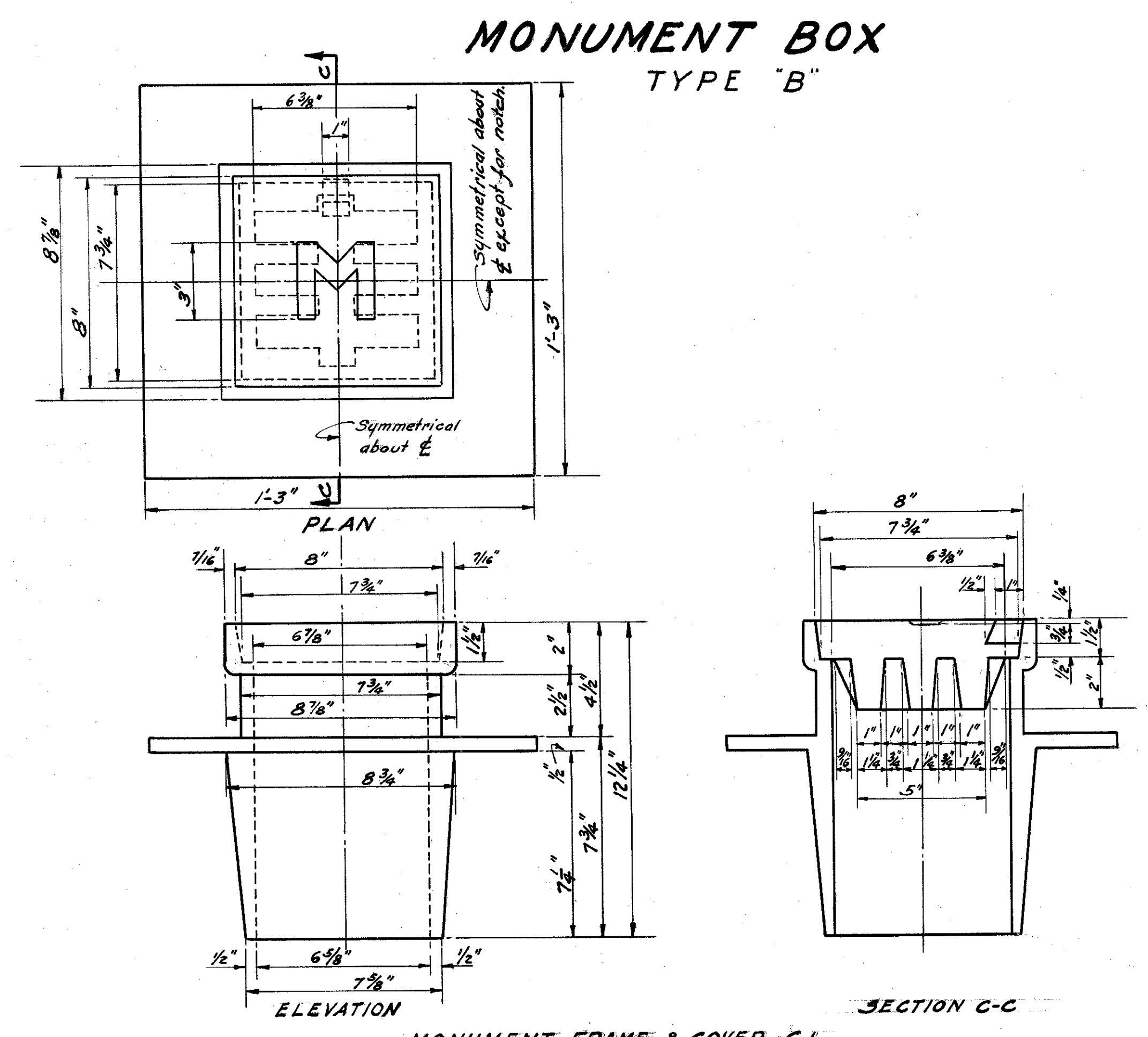
#### GENERAL NOTES

**WALLS:** Brick walls shall be 8" thick and plastered on the inside and outside with 1:2 cement mortar 1/2" thick. Every sixth course of brick shall be a stretcher course. Concrete walls where used in place of brick shall be made of 6" thick Class "C" concrete.

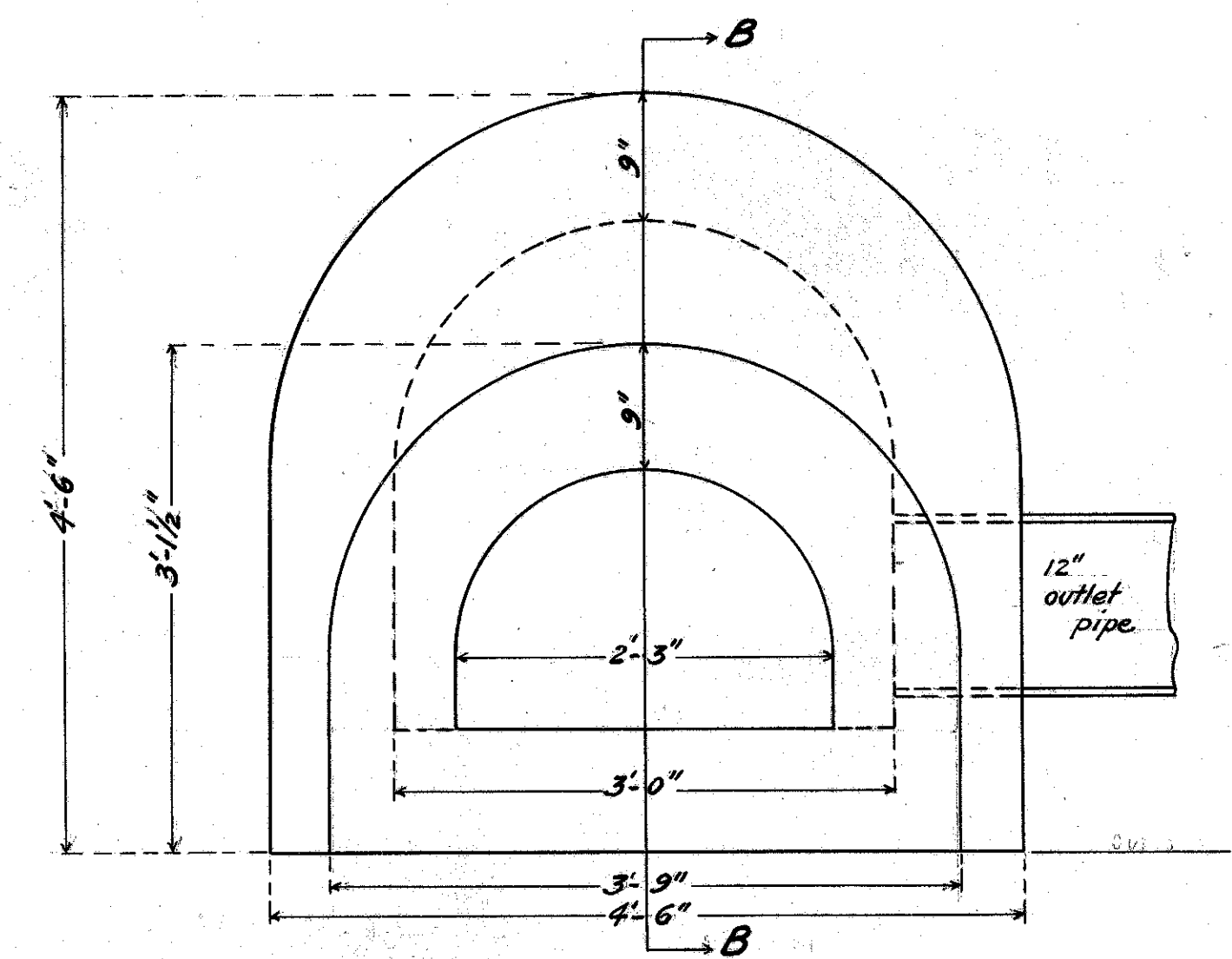
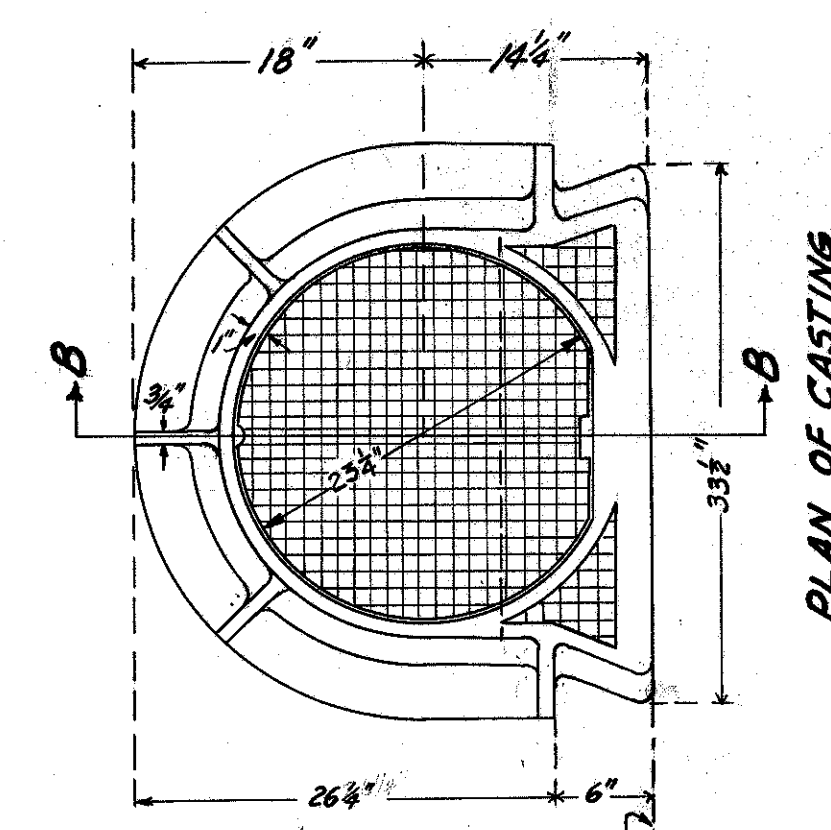
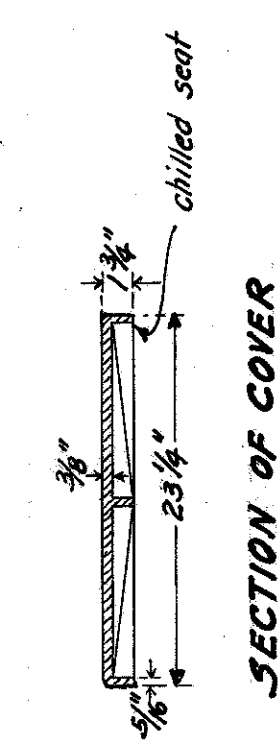
**OUTLET:** The outlet pipe shall be of the size shown on the plans and may be constructed in any side.

**BOTTOM:** The bottom shall be built as per plans, of Class "C" concrete.

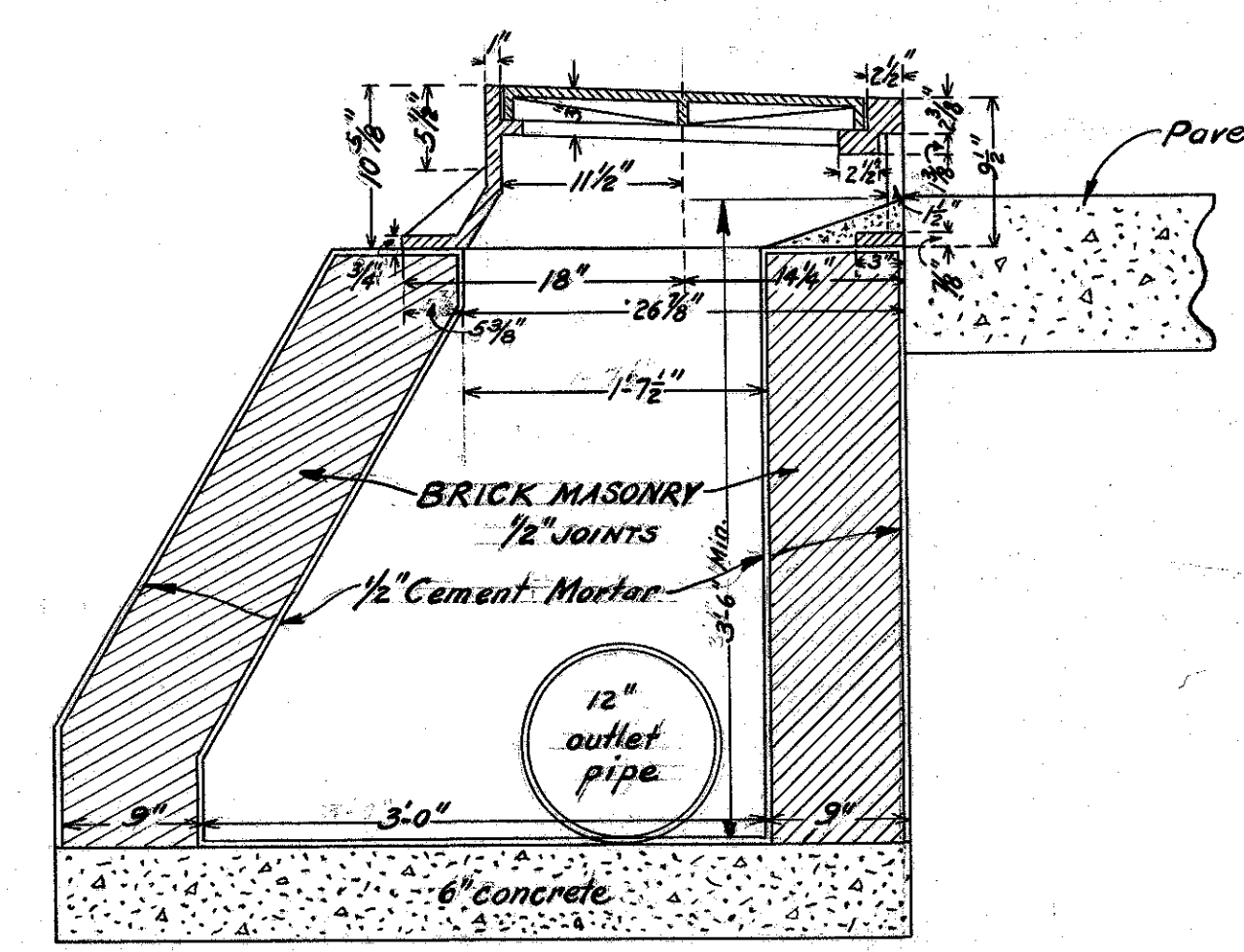
**CASTINGS:** Castings may be made in accordance with details shown herewith, or may be of similar design but of equal weight. All castings to be in accordance with Sec. M-7.8 of the Material Details. Cover seat surfaces to be finished to smooth round edges.



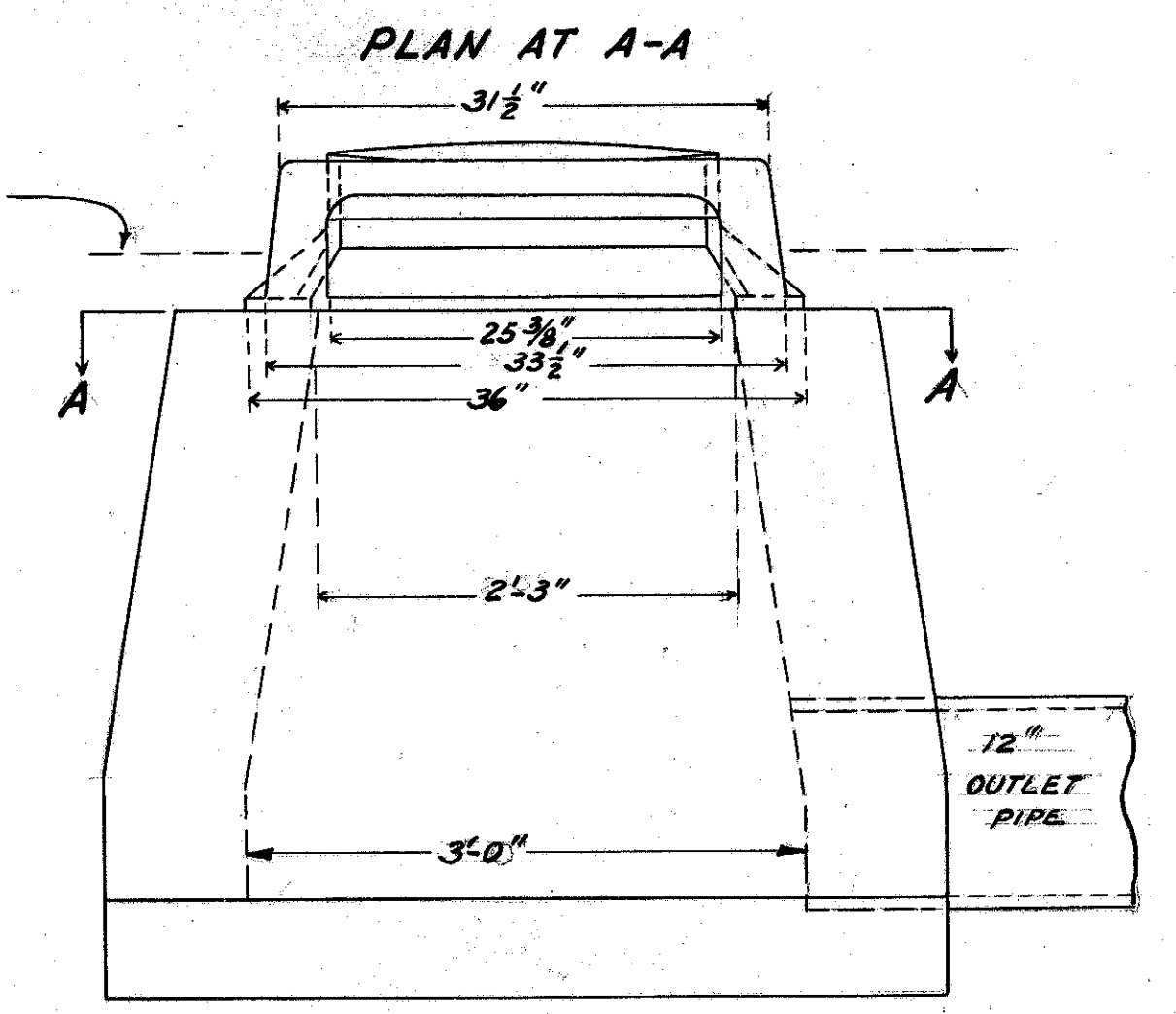
MONUMENT FRAME & COVER - C.I.  
Scale: 3"=1'-0"



**WEIGHTS**  
Frame: 385 lbs.  
Cover: 65 lbs.  
Total: 450 lbs.



SECTION B-B



ELEVATION