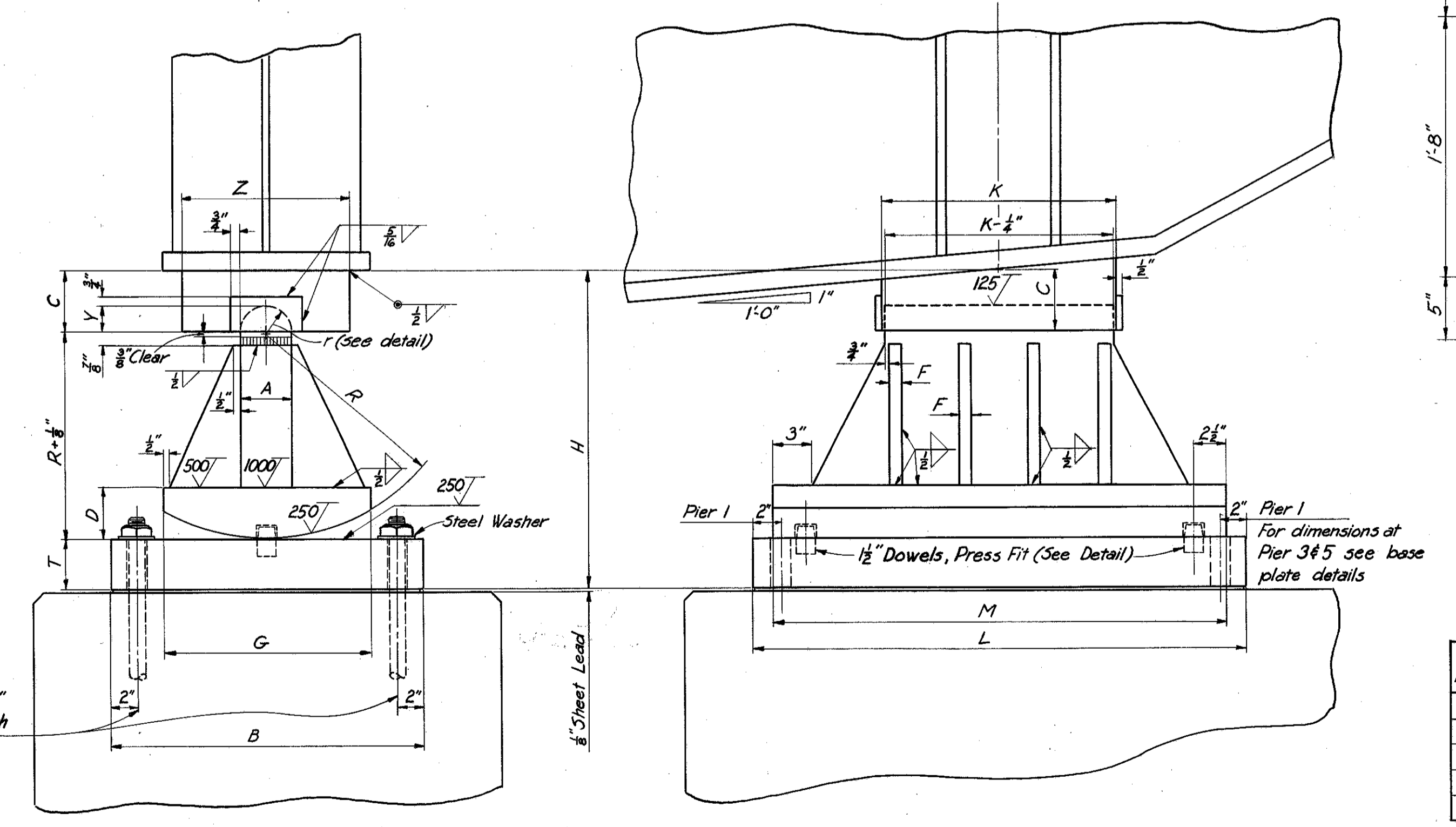
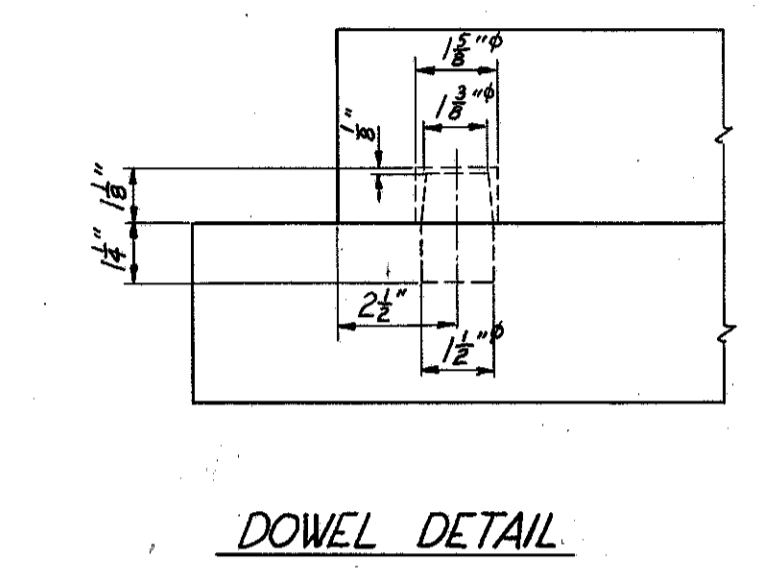
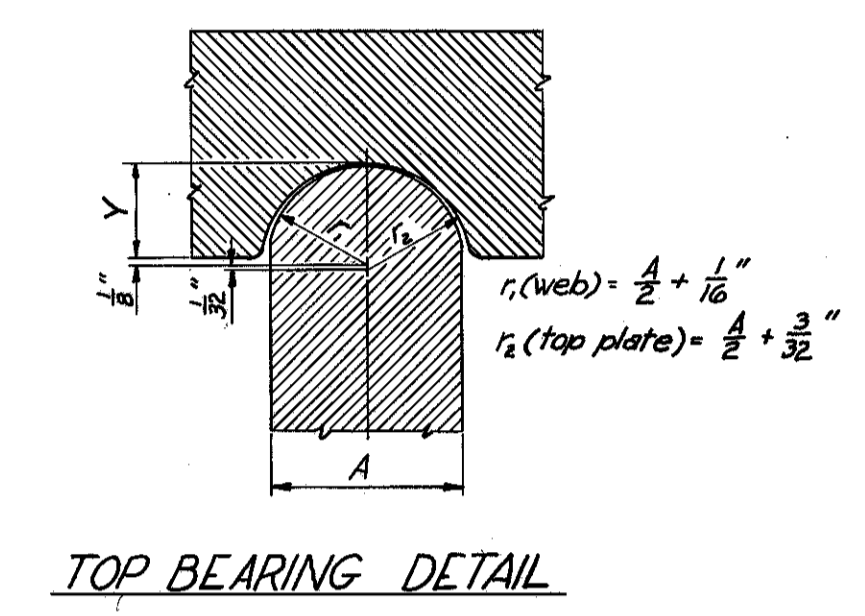
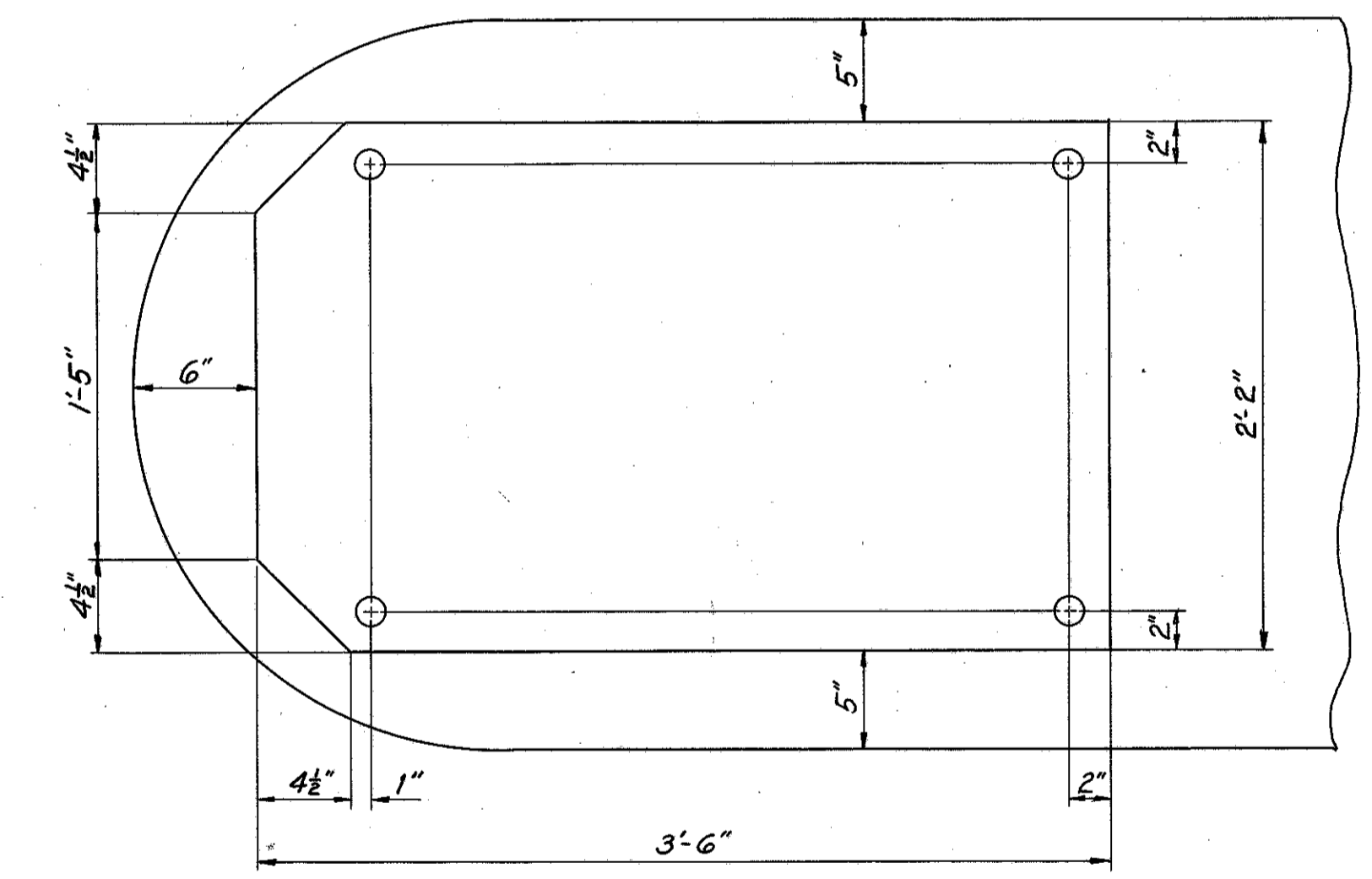
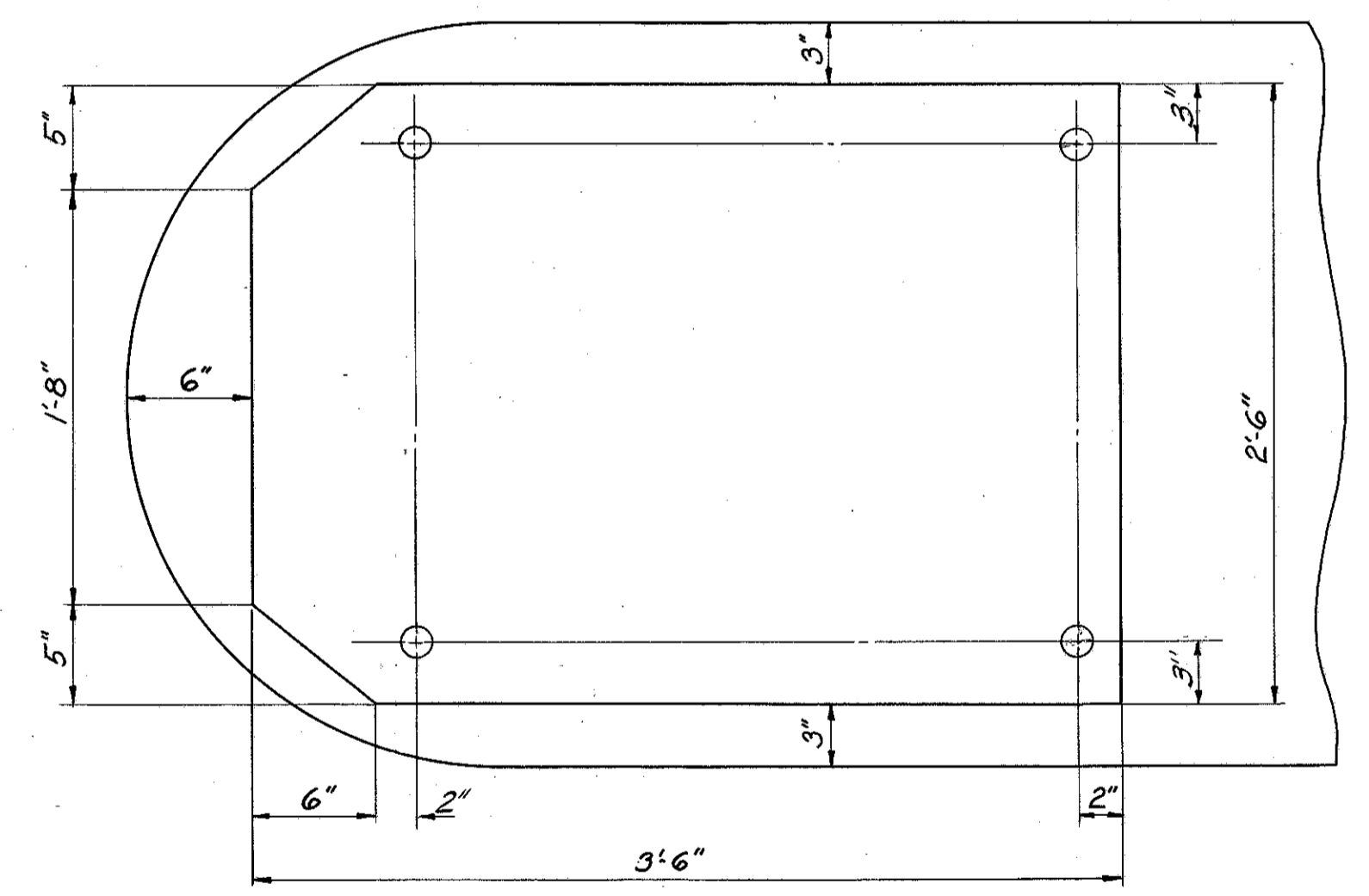


STRUCTURAL STEEL BOLSTER



STRUCTURAL STEEL ROCKER



Type Bearing	Pier	Dimensions (given in inches)													Weight each (lbs.)	
		A	B	C	D	F	G	H	K	L	M	R	T	Y		Z
Exp.	1	4	24	4 1/2	4	1	16	24 3/8	18	38	35	16	3 3/4	1 1/8	13	2275
Fixed	2	4	24	4 1/2		1		24 3/8	18	32		16	3 3/4	1 1/8	13	1643
Exp.	3	4 1/2	26	4 3/4	4 1/2	1	17	26 3/8	18	42	39	18	4	2 3/8	15	2922
Fixed	4	4 1/2	26	5		1 1/4		27 3/8	20	36		18	4	2 3/8	15	2207
Exp.	5	4 1/2	30	5	5	1 1/4	20	32 3/8	20	42	41	23	4 3/4	2 3/8	15	4014

Weights given are for one rocker or bolster complete (including sheet lead, anchor bolts and washers).

MICHAEL BAKER JR., CONSULTING ENGINEERS  
 ROCHESTER, PENNSYLVANIA

**BEARING DETAILS**  
 BRIDGE NO. LAK-1-0150  
 UNDER EUCLID SPUR (RAMP "B")

LAKE COUNTY				STA. 77+79.00		
Designed	Drawn	Traced	Checked	Reviewed-Date	Revised	
E.E.W.	C.R.H.	C.R.H.	G.S.W.	H.G.H. 12-30-58		

58-B-102