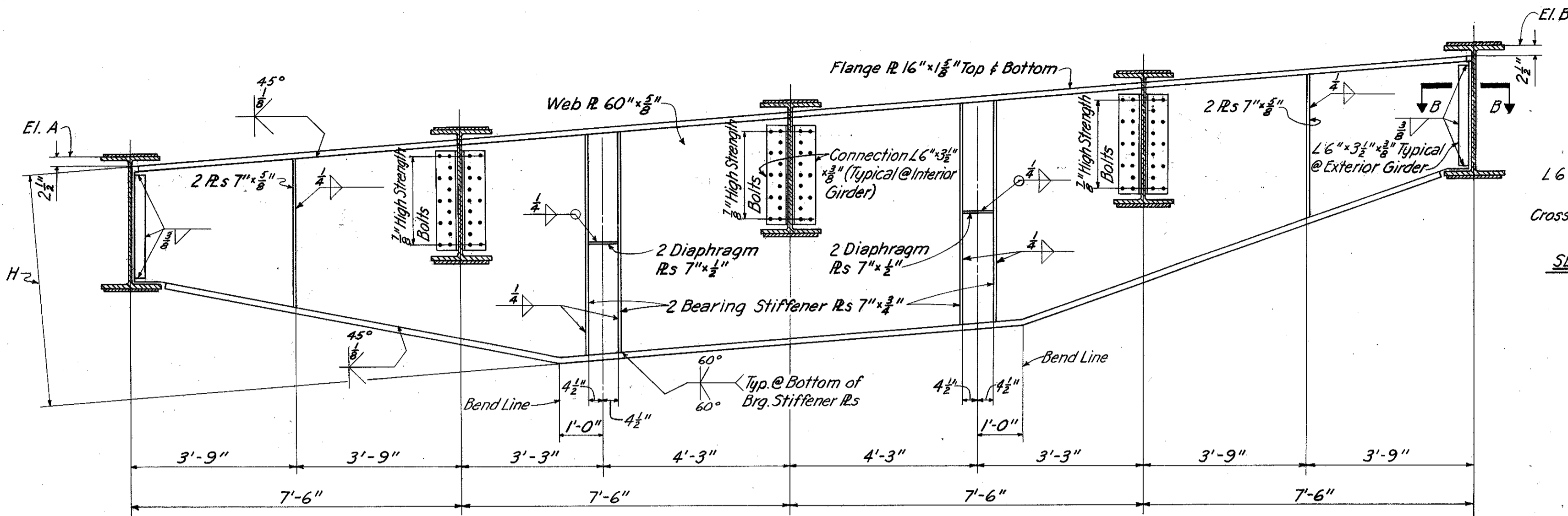


FED. RD. DIVISION	STATE	PROJECT	TYPE FUNDS
2	OHIO	1-1103 (18)	

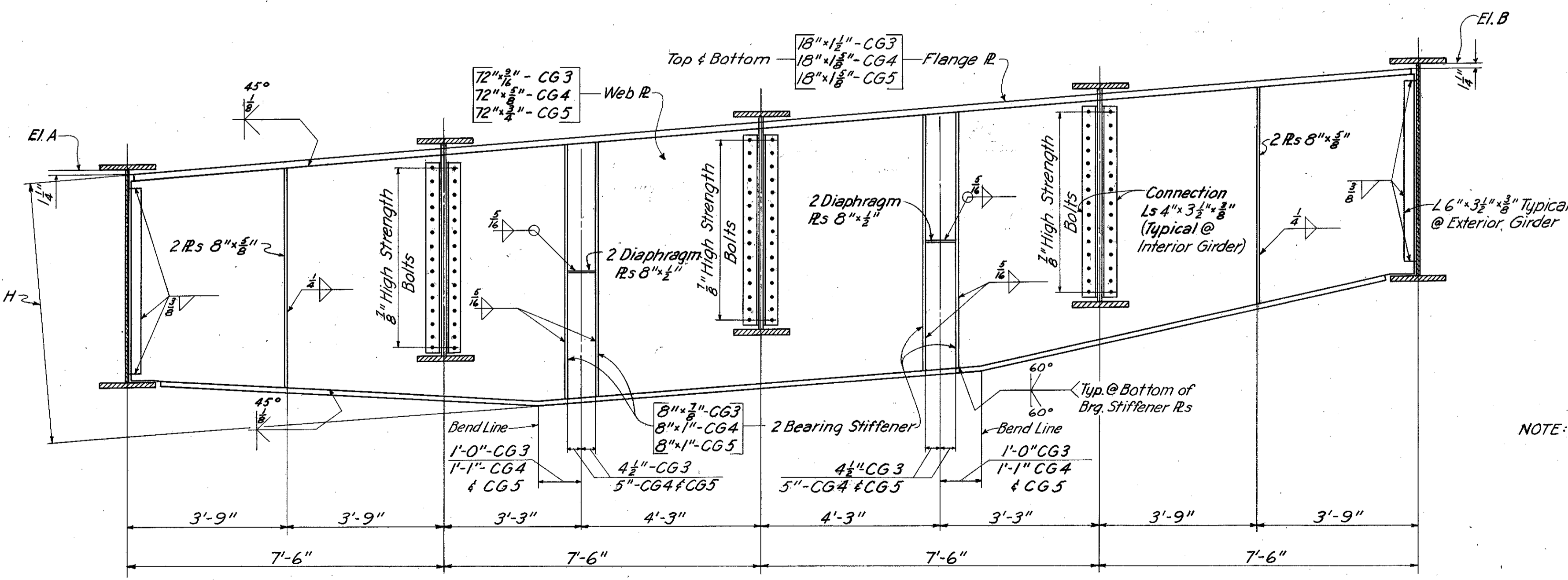
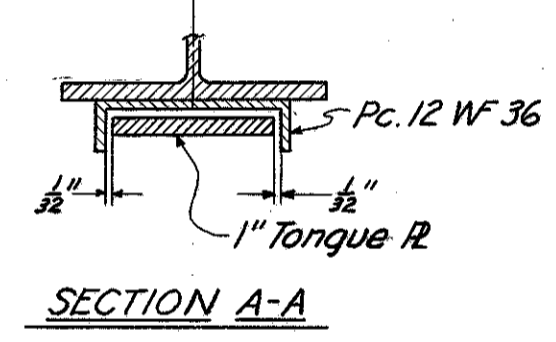
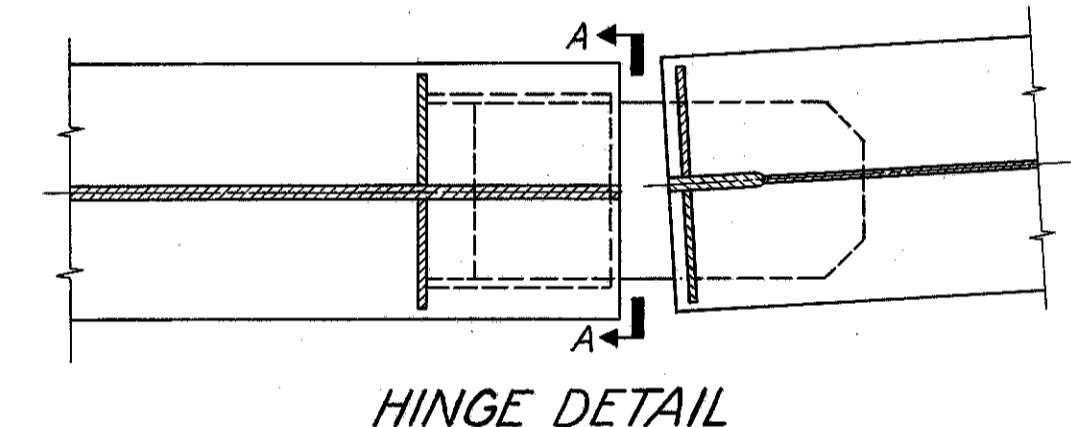
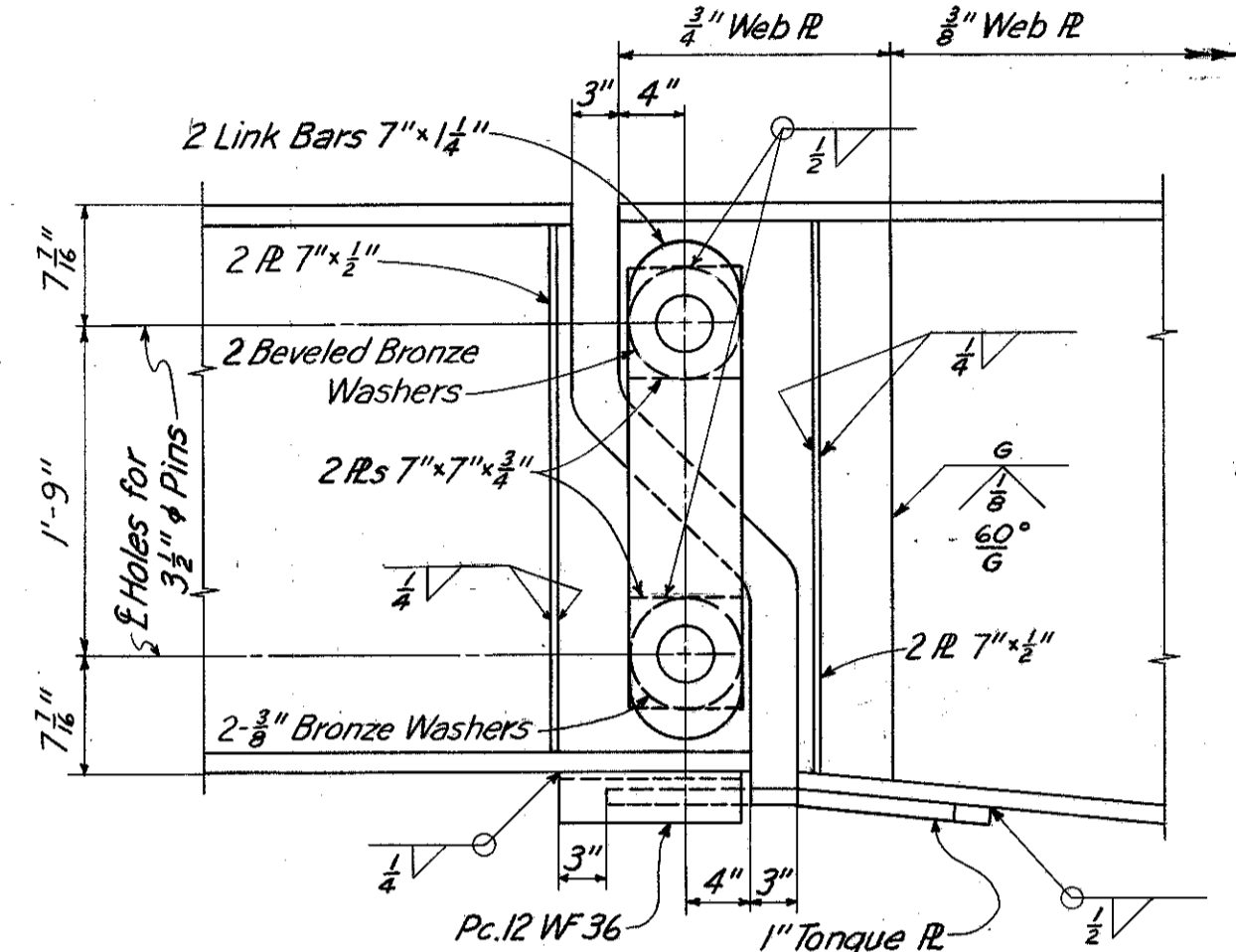
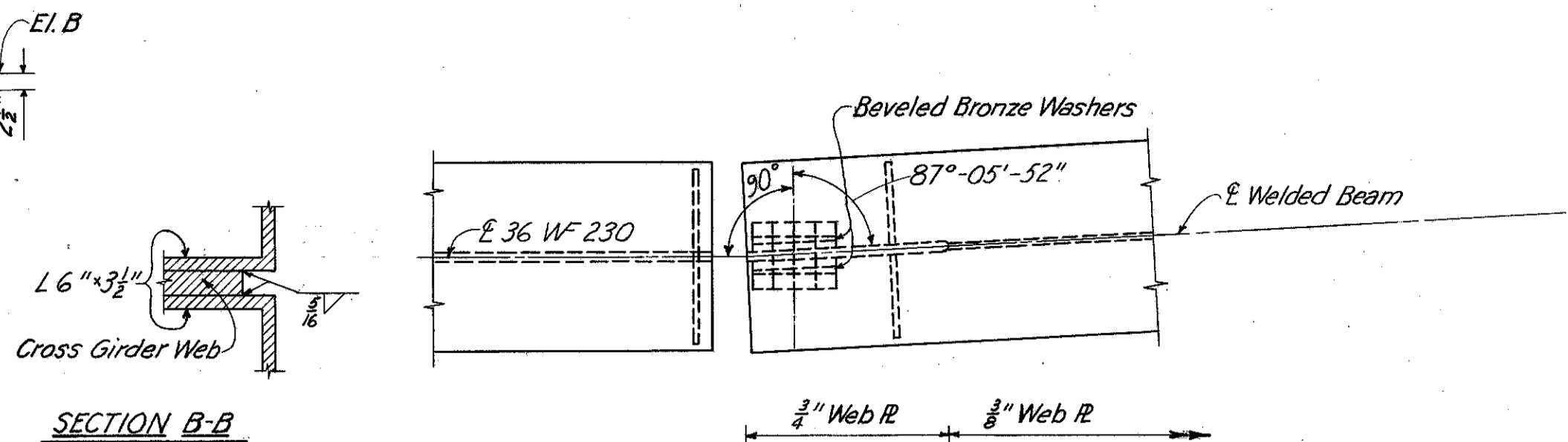
417
458

CUYAHOGA & LAKE COUNTIES
LAK-1-0.00
CUY-1-15.91

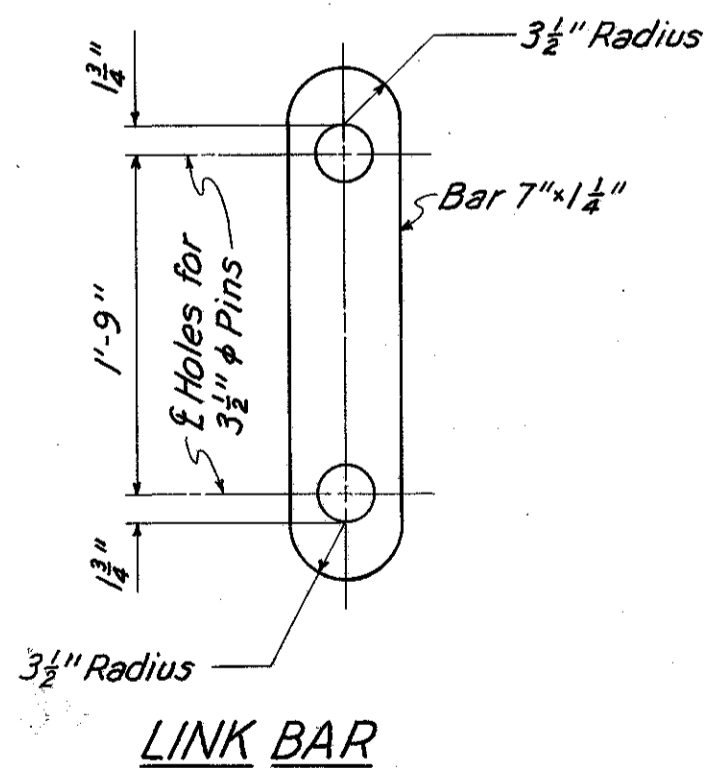


ELEVATION CROSS GIRDERS CGI & CG2

Girder	El. A	El. B	H
CG 1	841.09	843.58	63 1/2"
CG 2	840.56	843.05	63 1/2"
CG 3	839.12	841.61	75"
CG 4	836.73	839.22	75 1/2"
CG 5	832.82	835.31	75 1/2"



ELEVATION CROSS GIRDERS CG3, CG4 & CG5



NOTE: Intermediate stiffeners shall not be welded to the flanges but shall be fitted to the flanges in close enough contact that when the shop point is applied it will fill and close the openings. Bearing stiffeners over rockers and bolsters shall be grooved and fully butt welded to the lower flange and fitted in close contact, without welding, at the upper flange.

MICHAEL BAKER JR., CONSULTING ENGINEERS
ROCHESTER, PENNSYLVANIA

CROSS GIRDER & HINGE DETAILS
BRIDGE NO. LAK-1-0150
UNDER EUCLID SPUR (RAMP "B")

LAKE COUNTY STA. 77+79.00

Designed	Drawn	Traced	Checked	Reviewed-Date	Revised
C.V.P.	C.V.P.	F.E.H.	Y.G.	H.G.H. 12-30-58	4-19-60