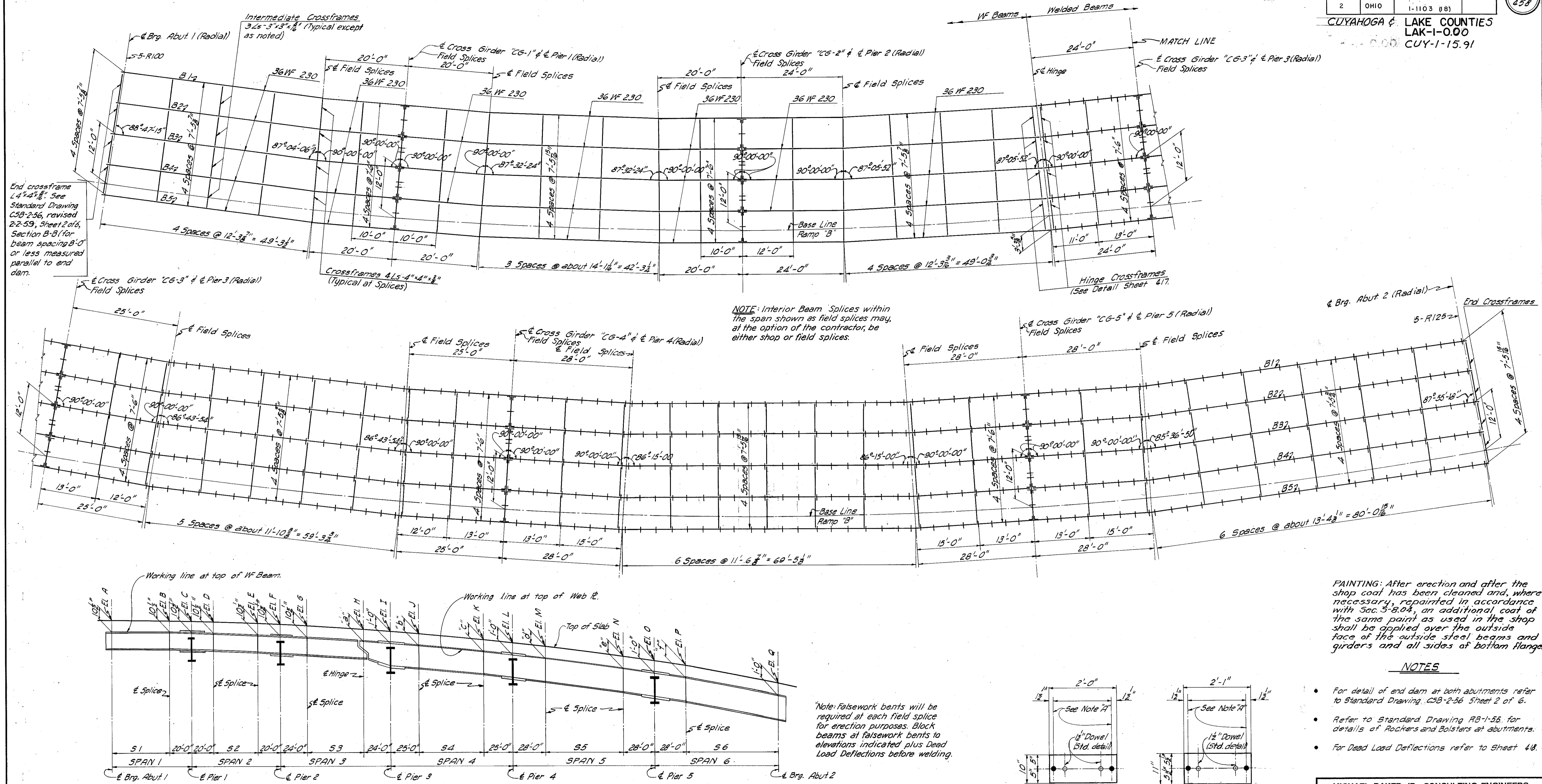


FED. RD. DIVISION	STATE	PROJECT	TYPE FUNDS
2	OHIO	1-1103 (88)	

414
458

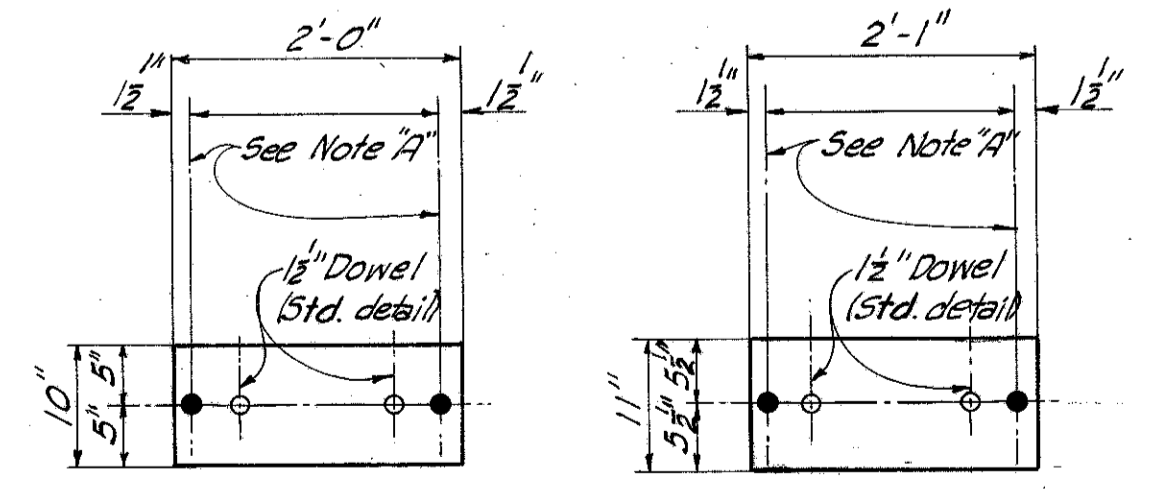
CUYAHOGA & LAKE COUNTIES
LAK-1-0-00
CUY-1-15.91



PAINTING: After erection and after the shop coat has been cleaned and, where necessary, repainted in accordance with Sec. 5-8.04, an additional coat of the same paint as used in the shop shall be applied over the outside face of the outside steel beams and girders and all sides of bottom flange.

NOTES

- For detail of end dam at both abutments refer to Standard Drawing, CSB-2-56 Sheet 2 of 6.
- Refer to Standard Drawing RB-1-55, for details of Rockers and Bolsters at abutments.
- For Dead Load Deflections refer to Sheet 4/B.



FOR ROCKER R100 FOR ROCKER R125

Note 'A': 1 1/2" hole for 1 1/2" x 8" swedge anchor bolt with sq nut & washer. Set 1-3" into concrete.

BASE PLATES FOR ROCKERS @ ABUTS.

All details of Rockers to be in accordance with Standard RB-1-55 except detail of base plate as shown.

TABLE OF DIMENSIONS

BEAM	S1	S2	S3	S4	S5	S6	"a"	"b"	"c"	"d"	"e"	"f"
B1	47'-1 1/2"	39'-8 3/8"	46'-0 1/2"	55'-10 1/8"	65'-6"	76'-8 3/8"	1'-0"	1'-0"	1'-0 1/2"	1'-0 1/2"	1'-0"	1'-0"
B2	47'-7 1/8"	40'-4 3/8"	46'-9 3/8"	56'-8 1/8"	66'-5 1/8"	77'-6 1/8"	1'-0"	1'-0"	1'-0"	1'-0"	1'-0"	1'-0"
B3	48'-2 1/8"	40'-11 1/8"	47'-6 3/8"	57'-7 1/8"	67'-5 1/8"	78'-4 1/8"	1'-0"	1'-0"	1'-0"	1'-0"	1'-0"	1'-0"
B4	48'-9"	41'-7 1/8"	48'-3 3/8"	58'-5 1/8"	68'-5 1/8"	79'-2 1/8"	1'-0"	1'-0"	1'-0"	1'-0"	1'-0"	1'-0"
B5	49'-3 1/2"	42'-3 1/2"	49'-0 1/2"	59'-3 1/2"	69'-5 1/2"	80'-0 1/2"	1'-0"	1'-0"	1'-0"	1'-0"	1'-0"	1'-0"

TABLE OF ELEVATIONS

BEAM	EI. A.	EI. B.	EI. C.	EI. D.	EI. E.	EI. F.	EI. G.	EI. H.	EI. I.	EI. J.	EI. K.	EI. L.	EI. M.	EI. N.	EI. O.	EI. P.	EI. Q.
B1	841.99	842.03	841.96	841.90	841.64	841.44	841.20	840.35	840.12	839.67	838.41	837.73	836.98	834.87	833.82	832.77	829.43
B2	842.61	842.65	842.59	842.52	842.26	842.06	841.82	841.17	840.74	840.30	839.03	838.36	837.61	835.48	834.44	833.40	830.05
B3	843.23	843.27	843.21	843.15	842.88	842.68	842.45	841.79	841.36	840.92	839.65	838.98	838.23	836.10	835.06	834.03	830.68
B4	843.85	843.89	843.83	843.77	843.50	843.30	843.07	842.41	841.99	841.55	840.28	839.60	838.86	836.71	835.68	834.66	831.30
B5	844.48	844.52	844.45	844.39	844.12	843.93	843.70	843.03	842.61	842.18	840.90	840.22	839.49	837.32	836.31	835.30	831.92

Note: Vertical dimensions given at hinge and at field splices do not include D.L. Deflection.

MICHAEL BAKER JR., CONSULTING ENGINEERS
ROCHESTER, PENNSYLVANIA

FRAMING PLAN
BRIDGE NO. LAK-1-0150
UNDER EUCLID SPUR (RAMP "B")

LAKE COUNTY STA. 77+79.00

Designed	Drawn	Traced	Checked	Reviewed-Date	Revised
E.W. G.M.W. W.R.B.	W.R.B.	M.S.	Y.G.	H.G.H. 12-30-58	4-19-60