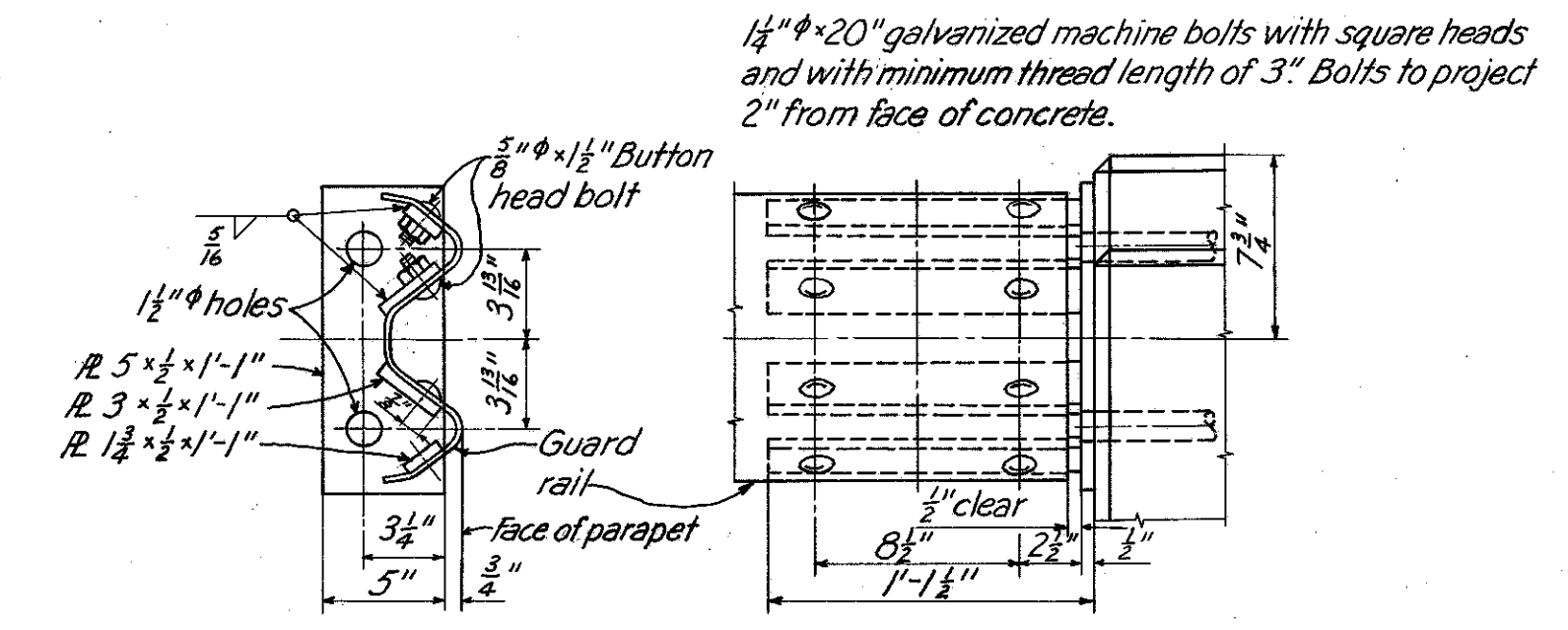
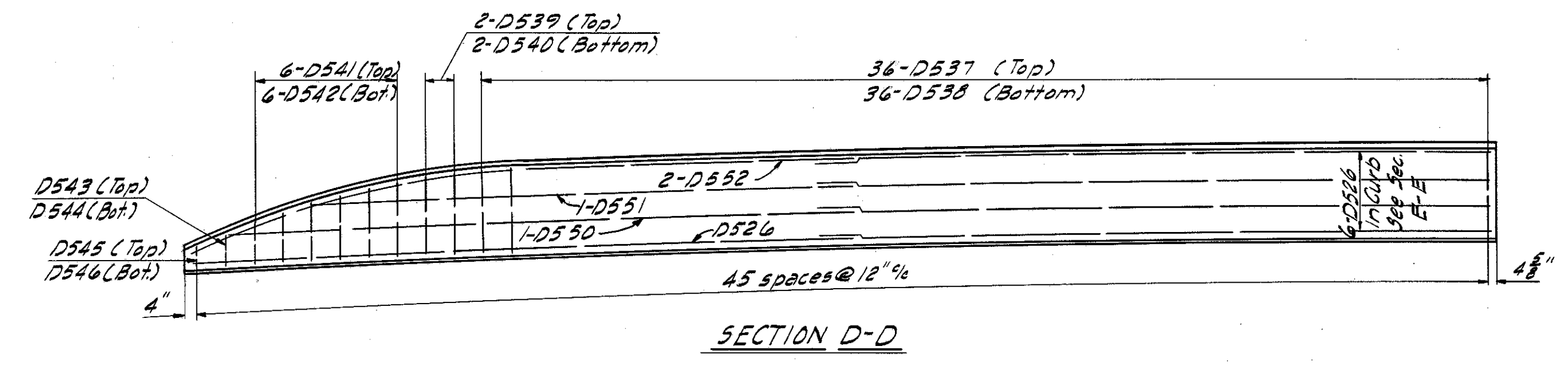


REVISED
SEP 6 1965

FED. RD. DIVISION	STATE	PROJECT	TYPE FUNDS
2	OHIO	1-1103 (18)	

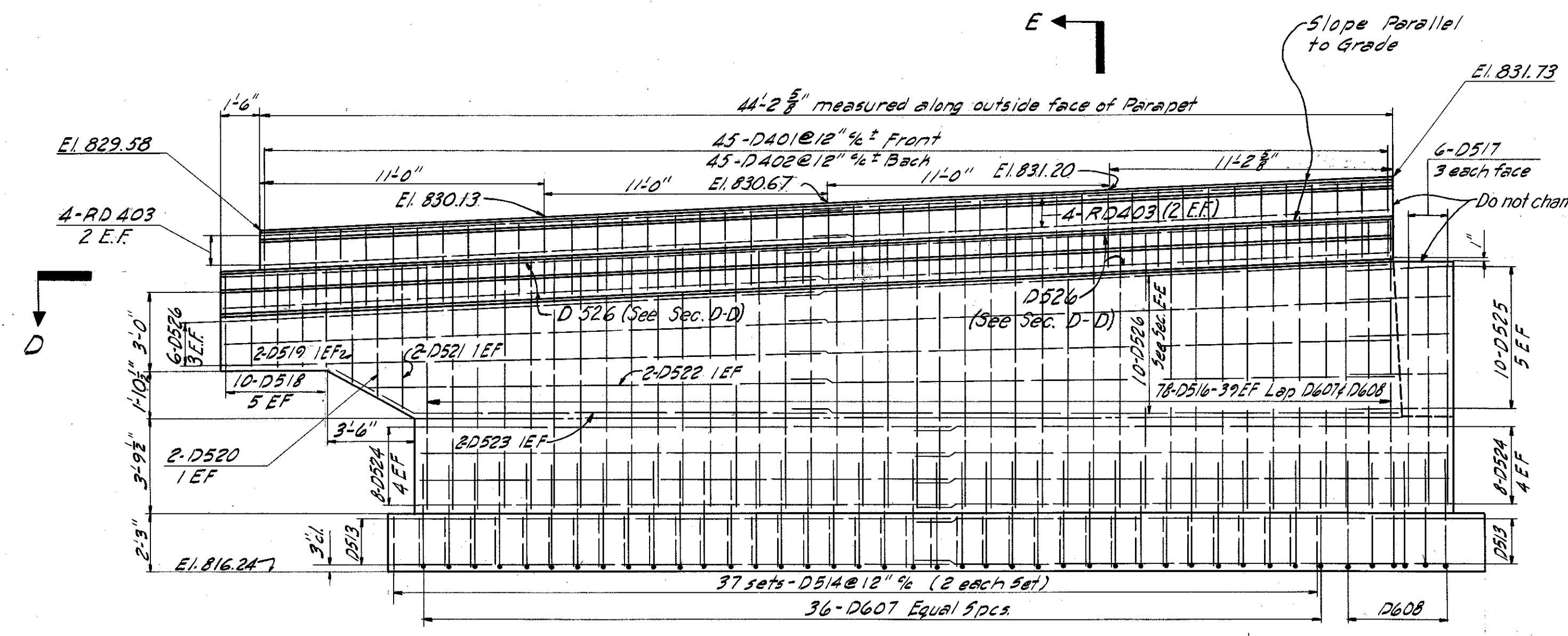
412
458

CUYAHOGA & LAKE COUNTIES
LAK -1-0.00
CUI-1-15.91

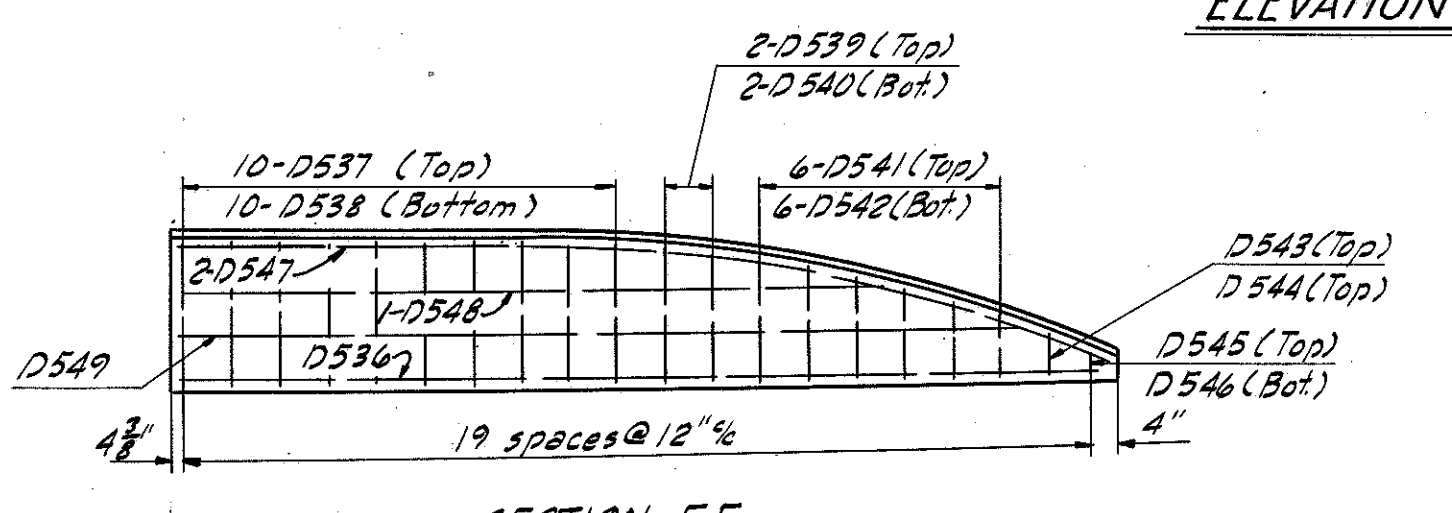


GUARD RAIL DETAIL
(As seen from pavement side)

Guard rail end connection assembly (above) shall be galvanized after welding.

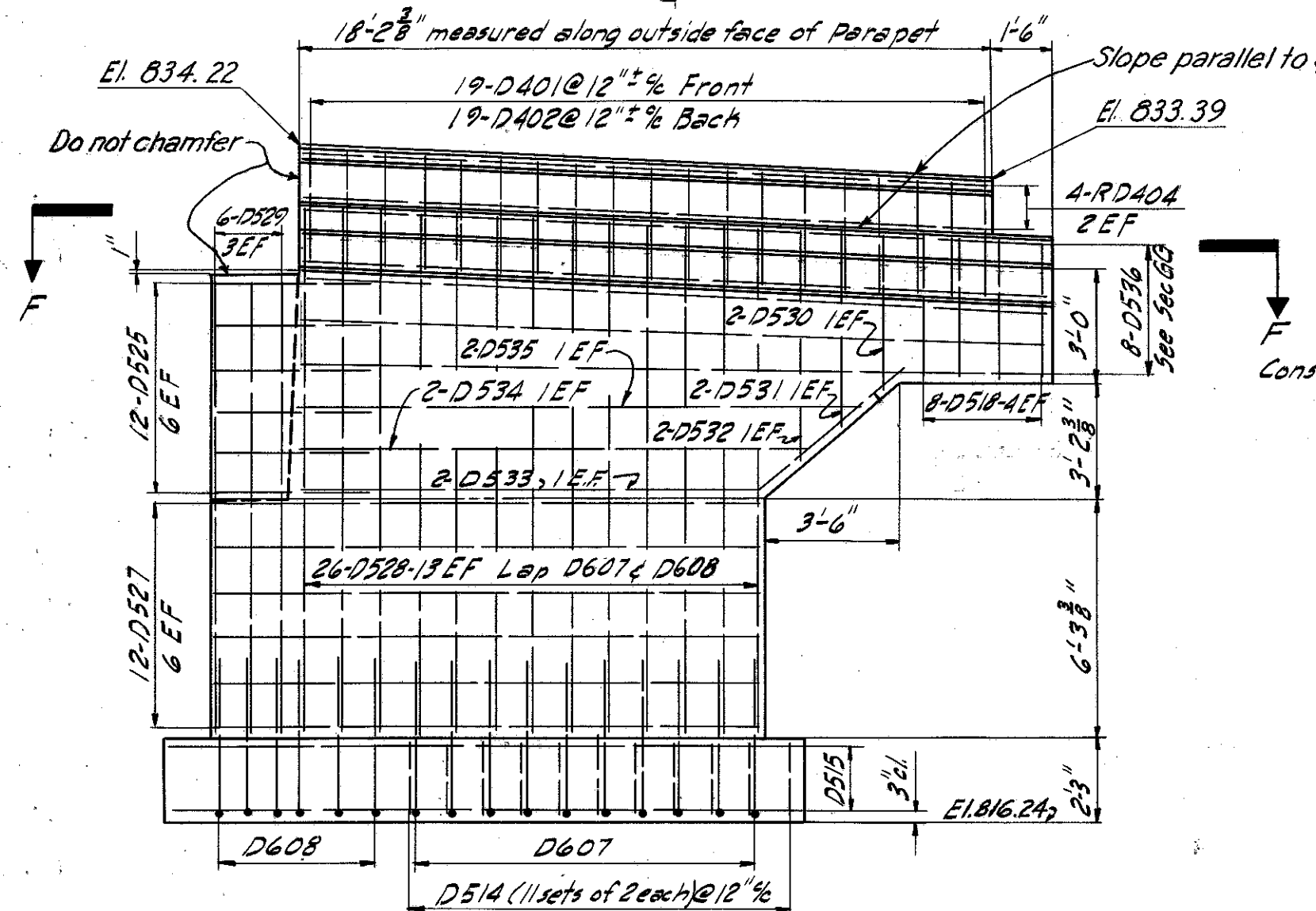


ELEVATION - WINGWALL "A"

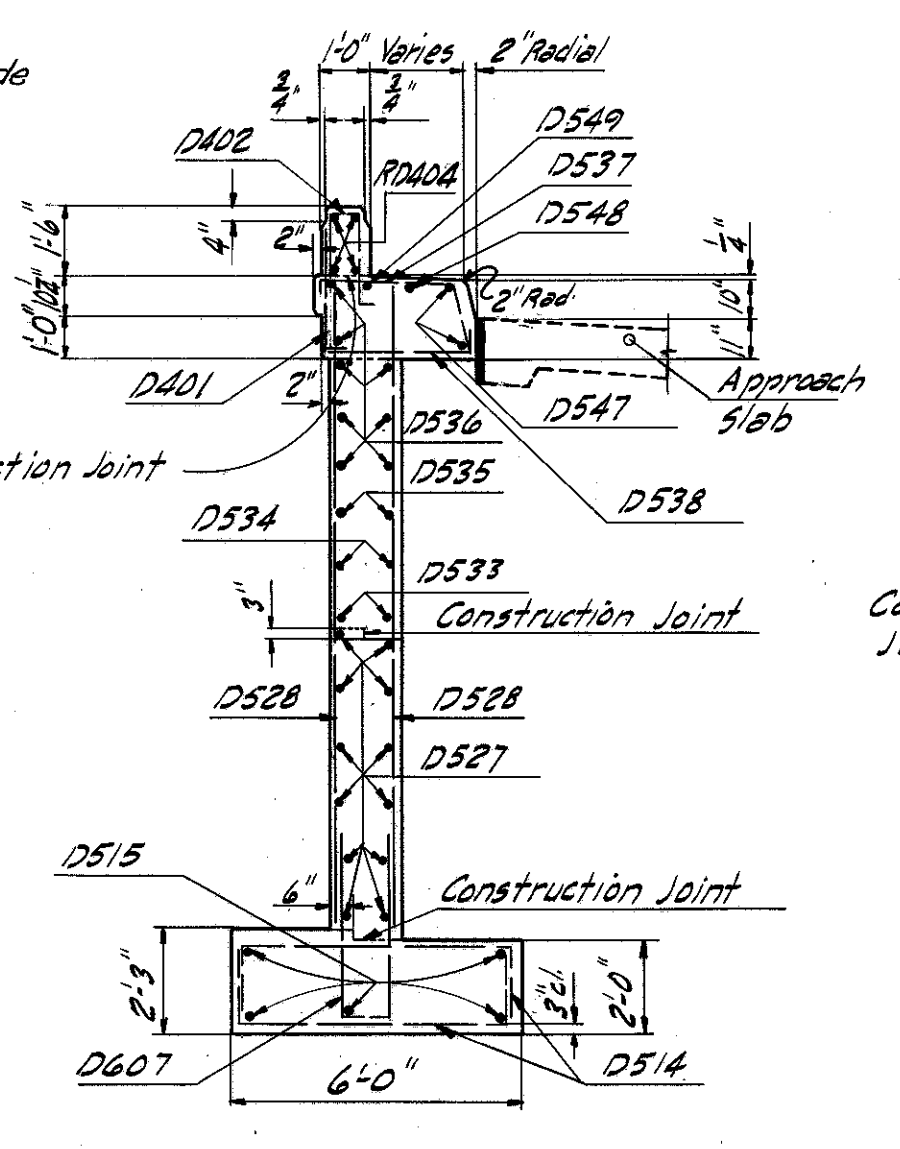


SECTION F-F

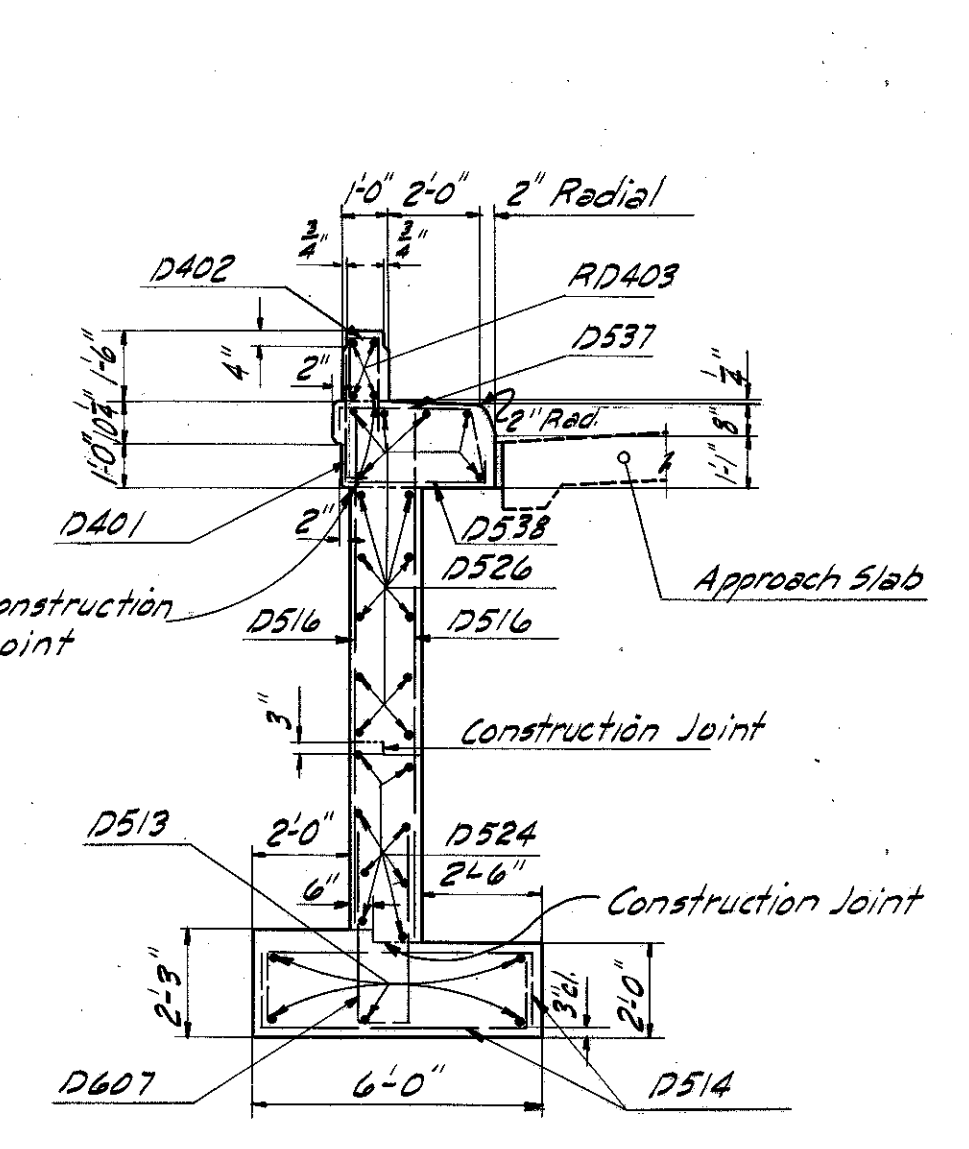
Note:
EF indicates
Each Face.



ELEVATION - WINGWALL "B"



SECTION G-G



SECTION E-E

MICHAEL BAKER JR., CONSULTING ENGINEERS ROCHESTER, PENNSYLVANIA					
ABUTMENT NO. 2					
BRIDGE NO. LAK -1-0150 UNDER EUCLID SPUR (RAMP "B")					
LAKE COUNTY			STA. 77+79.00		
Designed	Drawn	Traced	Checked	Reviewed-Date	Revised
G.S.W.	A.C.M.	A.C.M.	Y.G.	H.G.H. 12-30-58	4-19-60