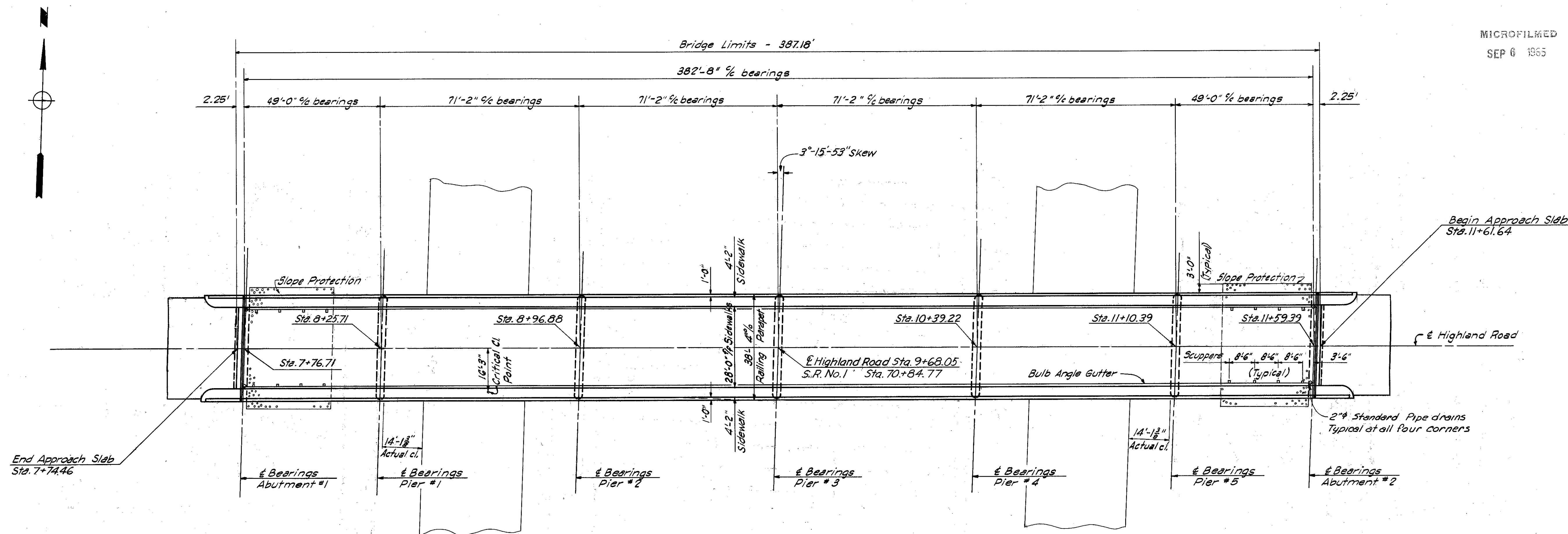


FED. RD. DIVISION	STATE	PROJECT	TYPE FUNDS
2	OHIO	I-1102(6)	

374  
458

MICROFILMED  
SEP 6 1965

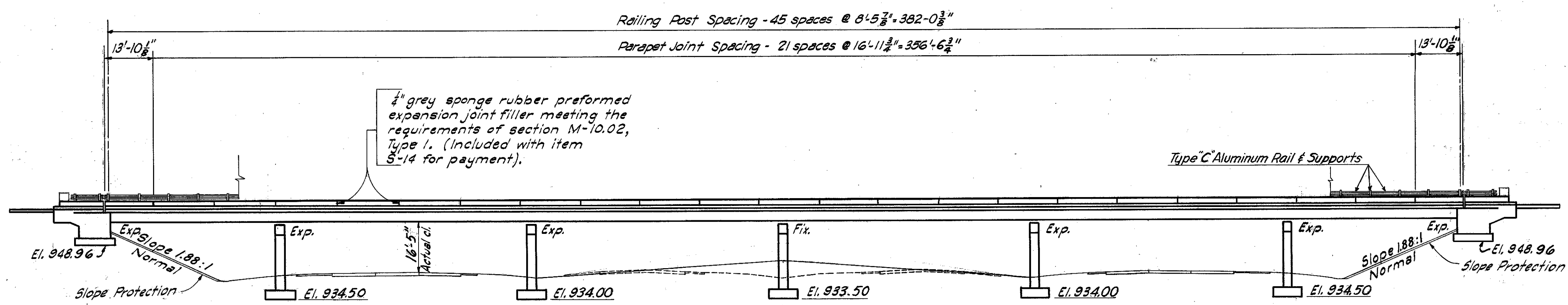
CUYAHOGA & LAKE COUNTIES  
CUY-1-15.91  
LAK-1-0.00



GENERAL PLAN

GENERAL NOTES

- Reference shall be made to Standard Drawings CSB-2-56 (Sheets 2 of 6), RB-1-55 and AR-1-57, revised 2-2-59, and Supplemental Specification S-111 dated 12-2-59.
- Design Specifications: This structure conforms to the requirements of "Design Specifications for Highway Structures" of the State of Ohio, Department of Highways, dated 9-1-57 with revisions thereto dated 2-21-58.
- Loading: C.F.=130 (57).
- Backfill behind abutments shall be made with material meeting the requirements of Sec. I-22 and shall be compacted in accordance with requirements for embankment compaction. Payment for backfill shall be included with unclassified excavation.
- Welding of structural steel shall be Class 'A', except as shown. (B) Any welds shown as field welds may, at the option of the Contractor, be made in the shop.
- MACHINE FINISH: The concrete bridge deck shall be finished as specified in the proposal, "Machine Finishing of Bridge Deck Slabs."
- STEEL: See proposal regarding A-373 steel.

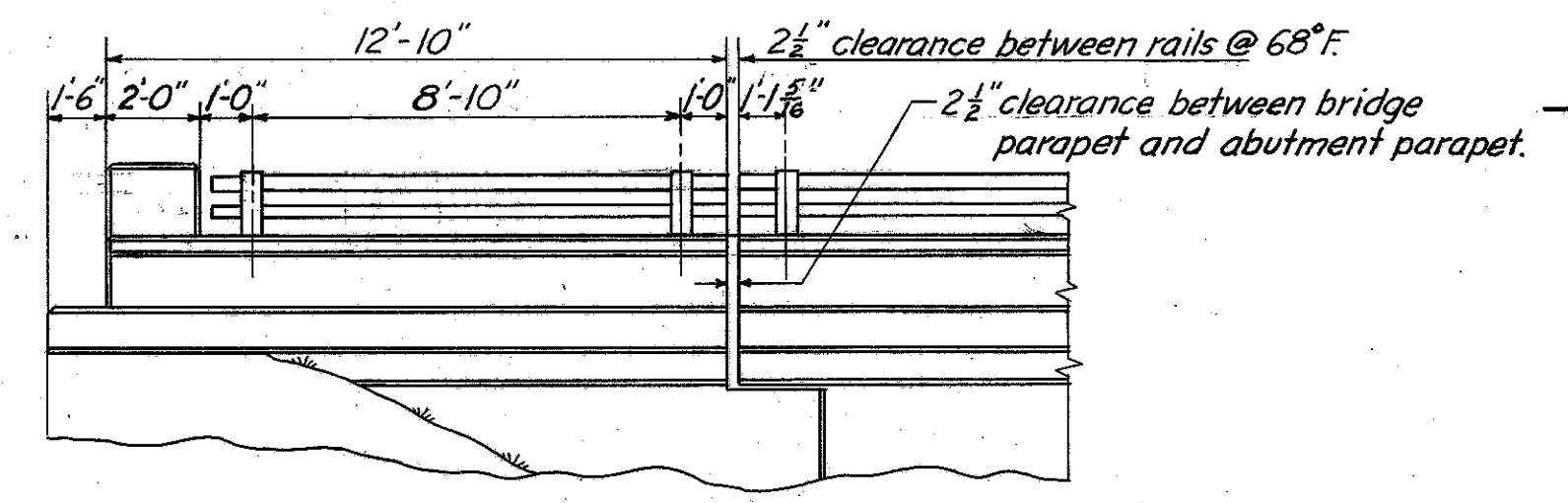


ELEVATION

+2.96%    -2.96%

R.V.I.	9+68.05
Elev.	965.73
V. C.	550'
M. O.	4.07'

GRADE DATA



TYPICAL ABUTMENT RAILING DETAIL

MICHAEL BAKER JR., CONSULTING ENGINEERS  
ROCHESTER, PENNSYLVANIA

**GENERAL PLAN & ELEVATION**  
BRIDGE NO. CUY. -1-1725  
UNDER HIGHLAND ROAD

CUYAHOGA CO.		STA. 70+84.77	
Designed	Drawn	Traced	Checked
E.E.W.	A.D.	A.D.	J.V.W.
	B.C.W.	B.C.W.	
Reviewed-Date	Revised		
H.G.H. 12-30-58	1-19-60		