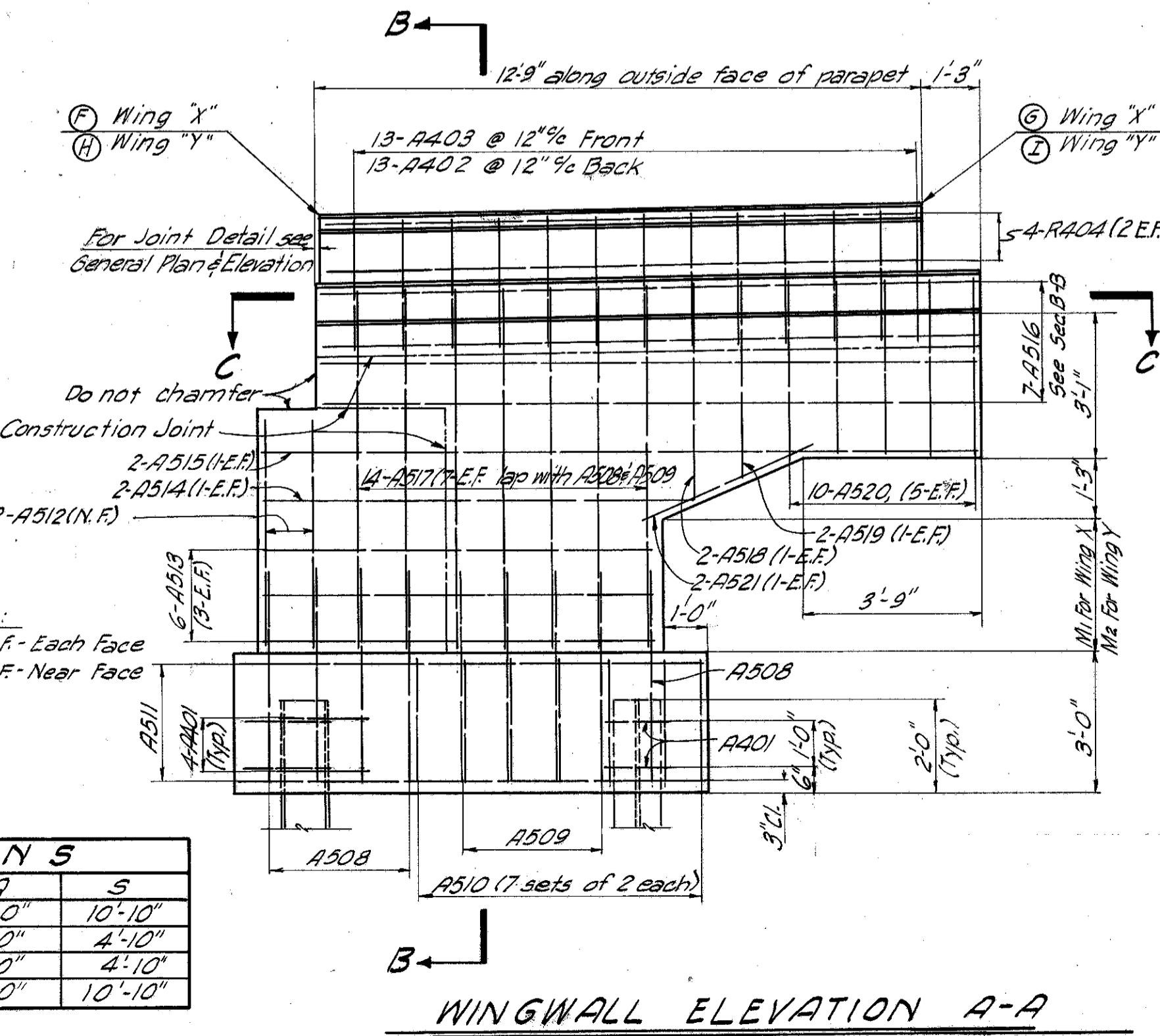
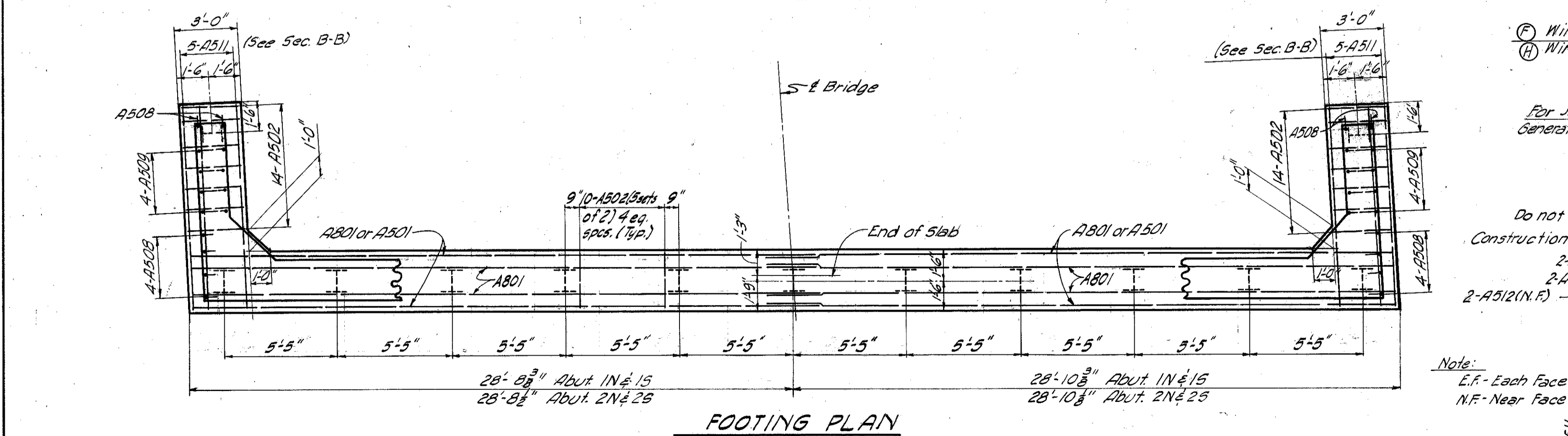
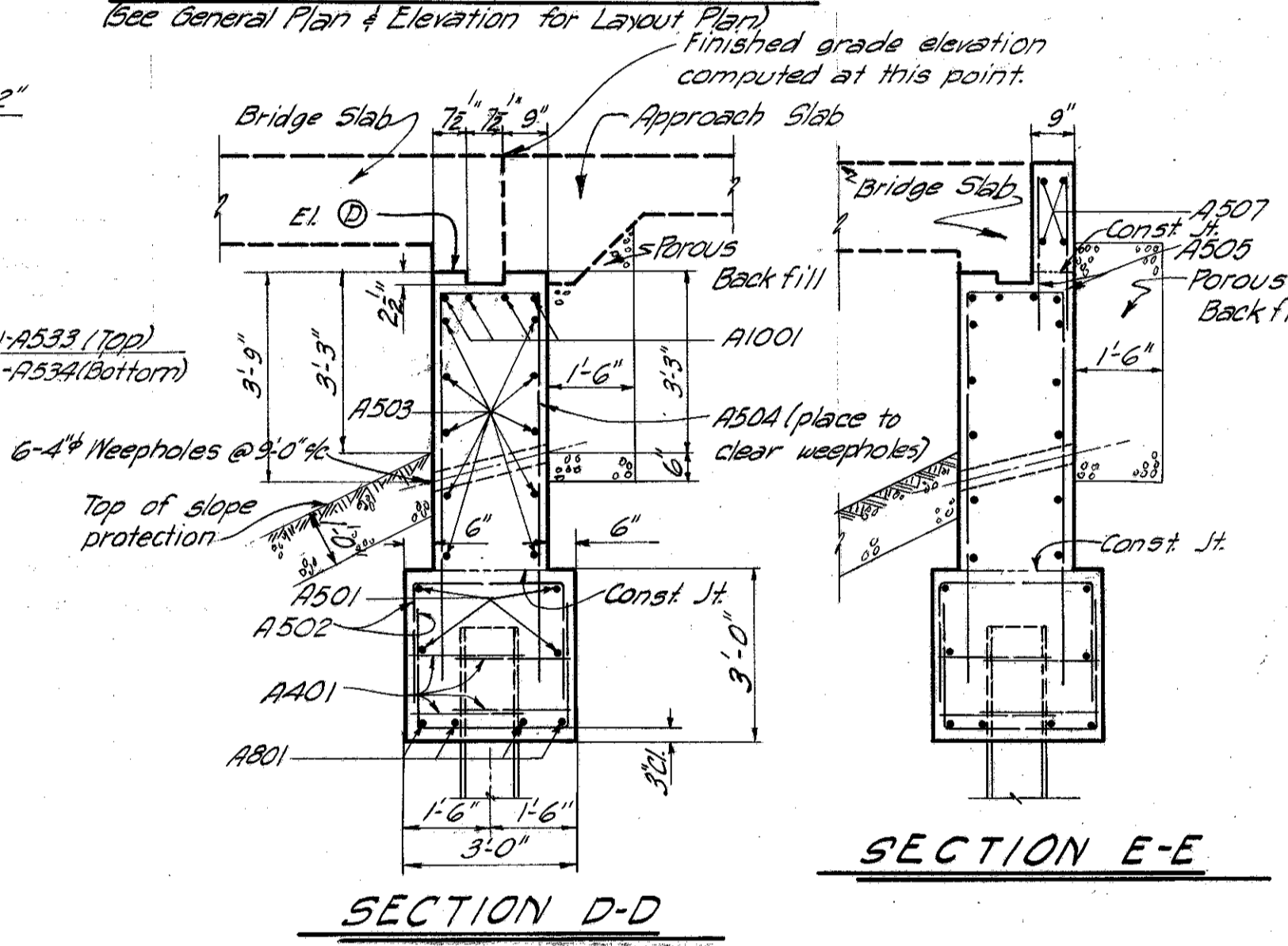
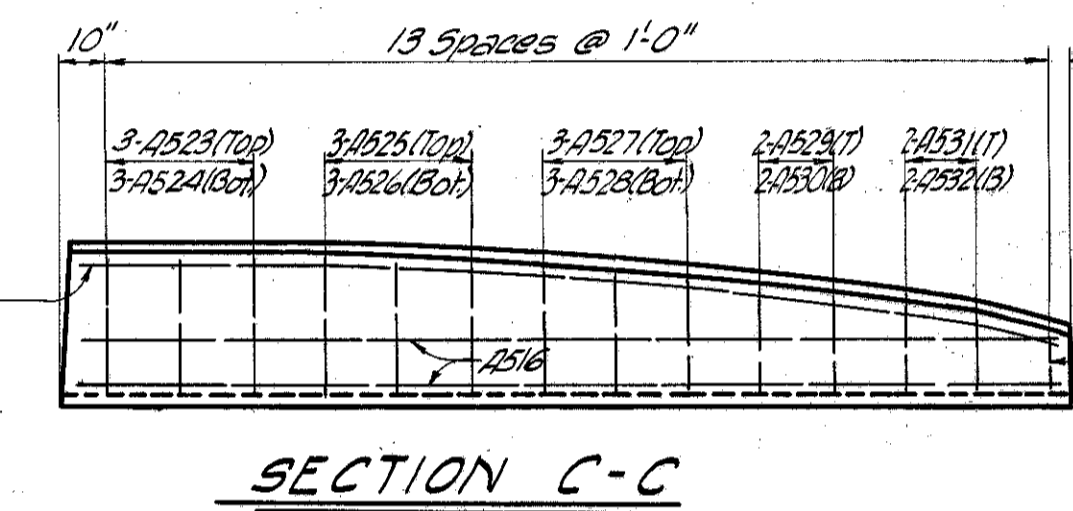
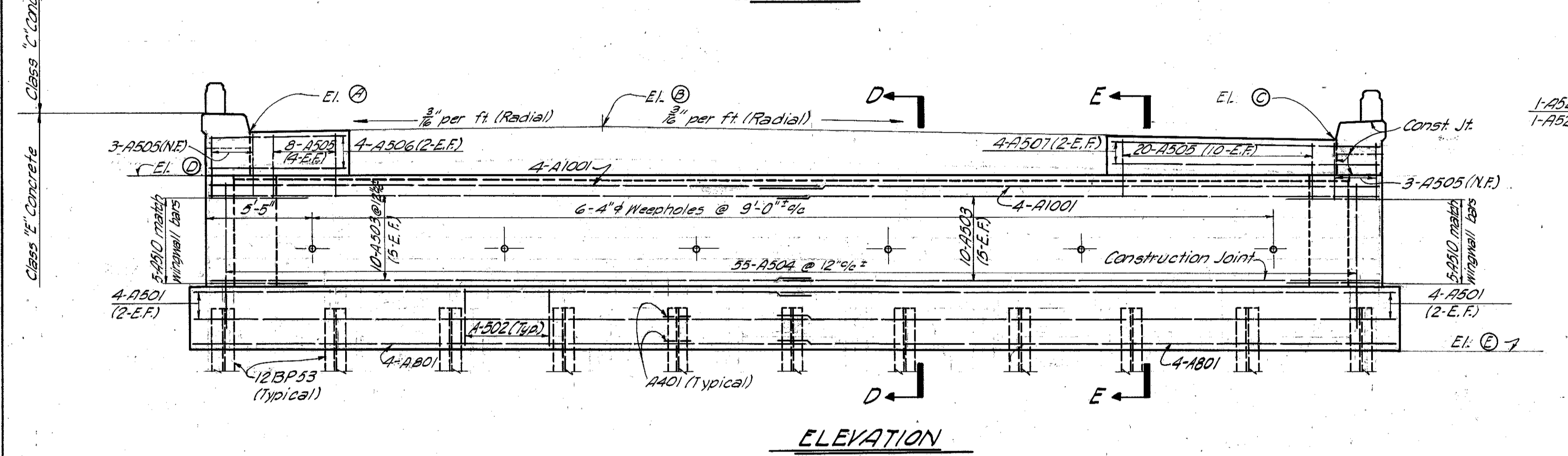
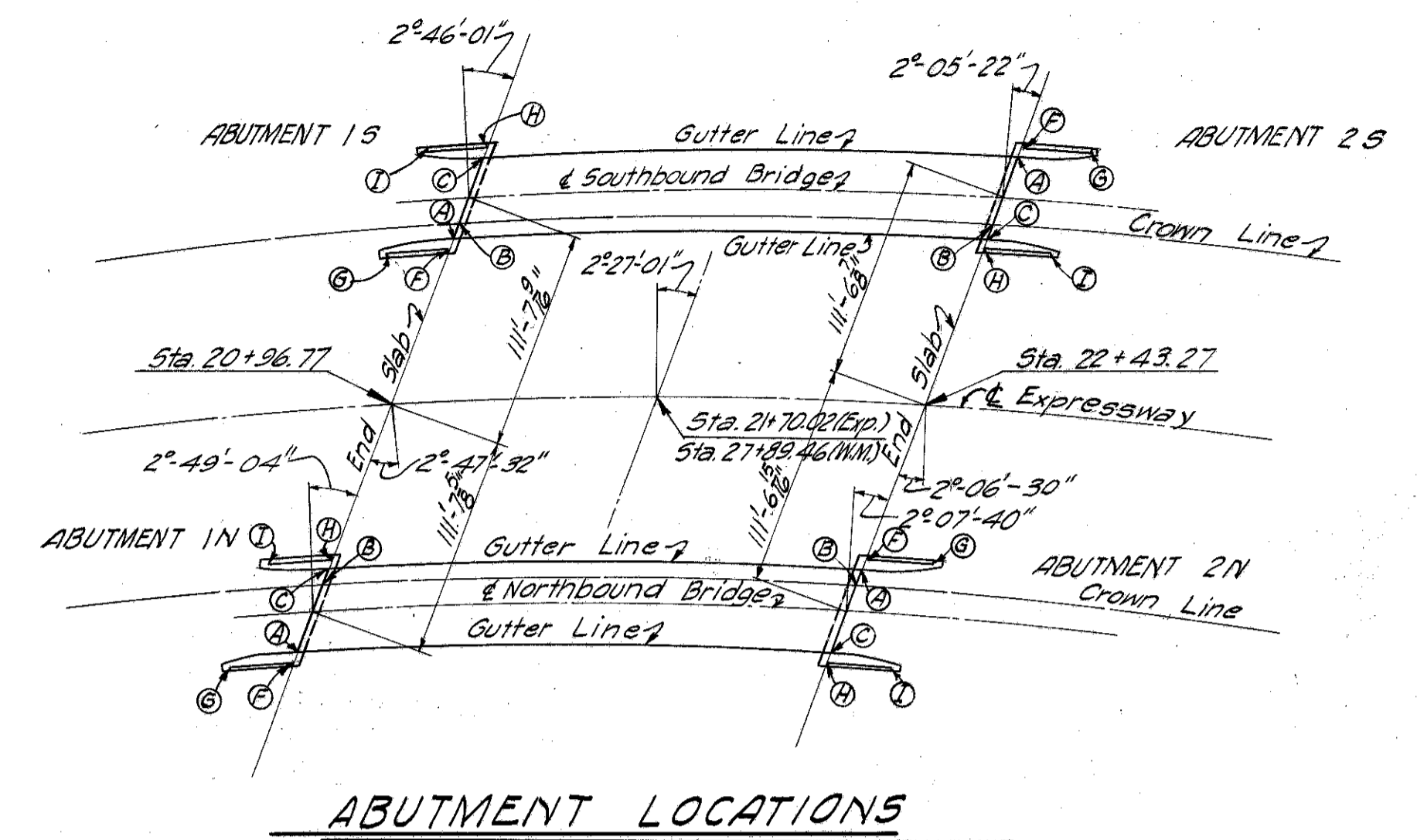
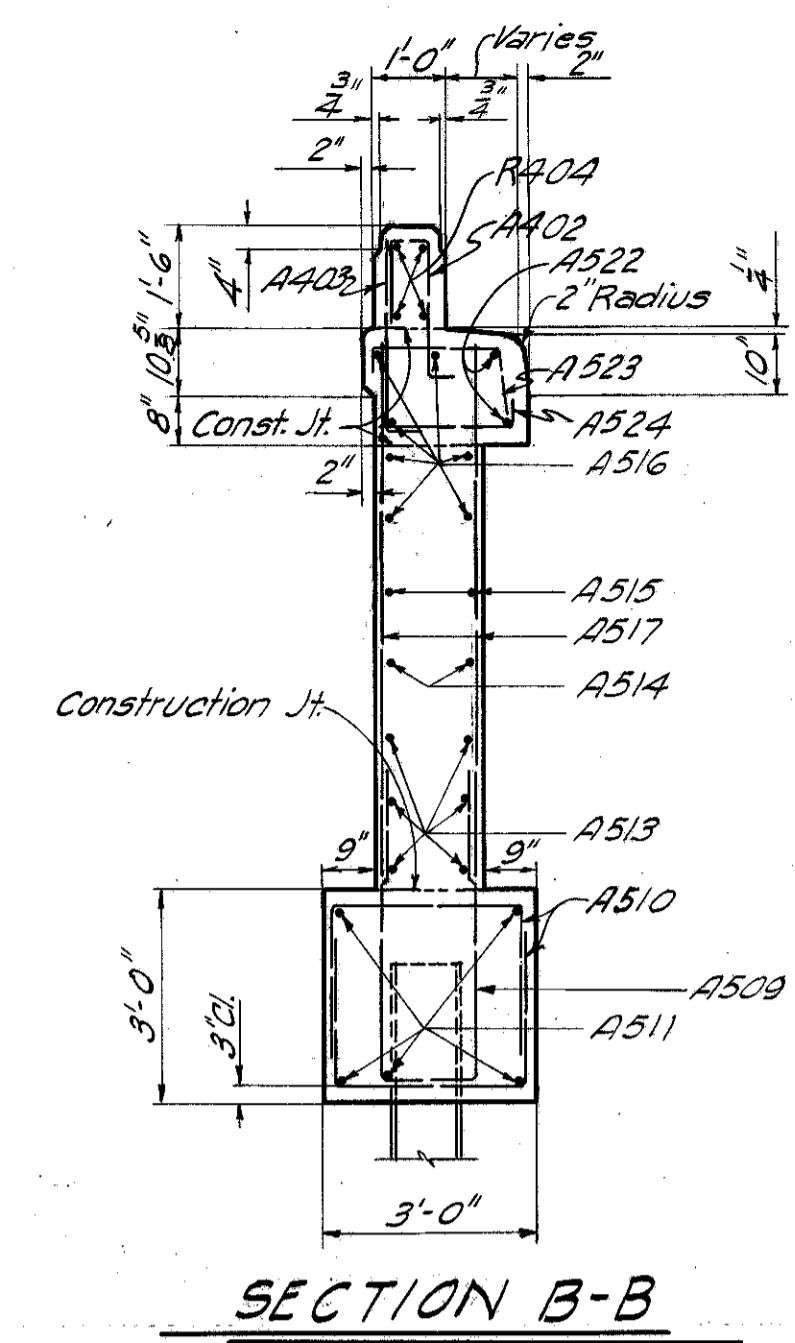
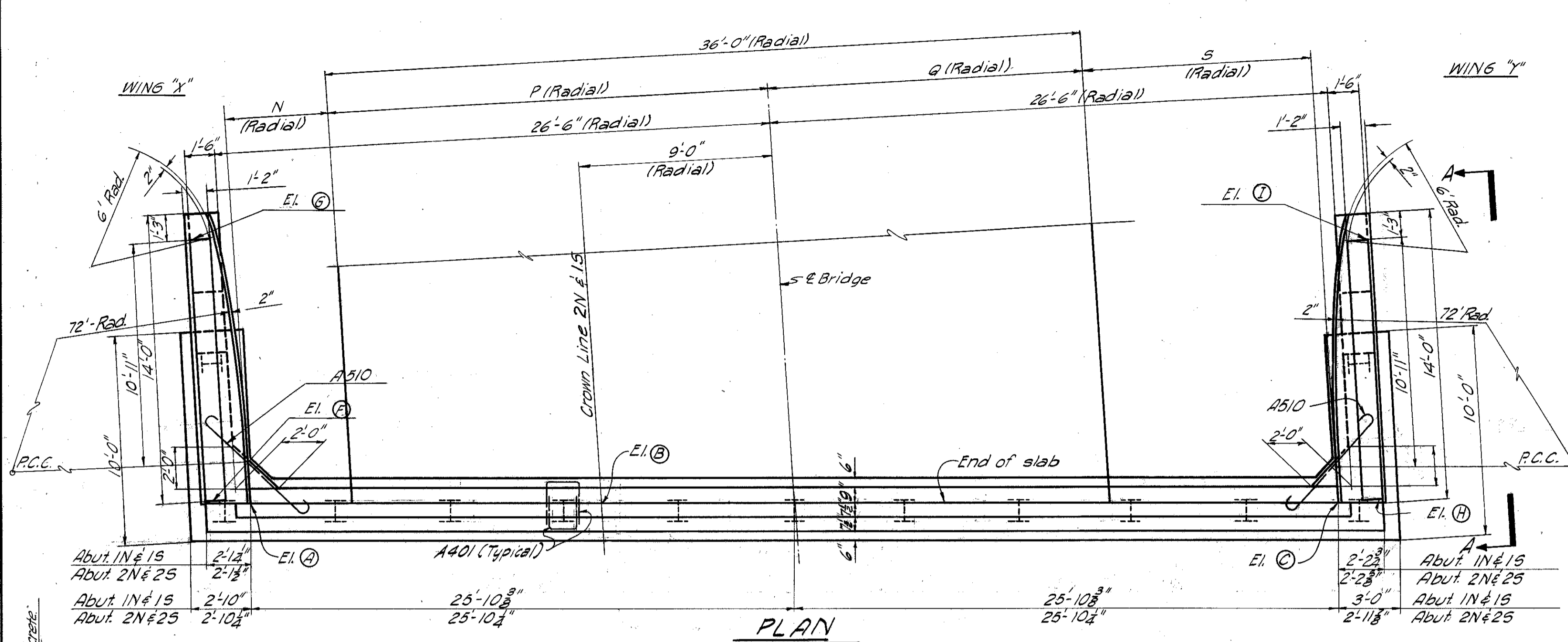


FED. RD. DIVISION	STATE	PROJECT	TYPE FUNDS
2	OHIO	I-102(6)	

369
458

CUYAHOGA & LAKE COUNTIES
CUI-1-15.91 LAK-1-0.00

MICROFILMED
SEP 6 1965



NOTES

- Porous backfill 1'-6" thick full length of abutment shall extend up to the underside of the approach slab.
- All abutment concrete shall be Class "E"
- Piling shall be driven to a bearing capacity as given in the General Notes on the "General Plan & Elevation"
- See the "General Plan & Elevation" for Railing and Guard Rail Detail.
- Concrete and reinforcing steel above parapet construction joints included with railing for payment.

TABLE OF ELEVATIONS

LOCATION	A	B	C	D	E	F	G	H	I
Abutment 1S	1016.22	1016.48	1015.90	1014.15	1005.90	1018.57	1018.79	1018.25	1018.47
Abutment 1N	1016.13	1016.65	1016.36	1014.38	1006.13	1018.48	1018.69	1018.71	1018.92
Abutment 2S	1013.47	1014.04	1013.78	1011.72	1003.47	1015.82	1015.61	1016.13	1015.92
Abutment 2N	1013.89	1014.17	1013.64	1011.89	1003.64	1016.24	1016.02	1015.99	1015.77

TABLE OF DIMENSIONS

LOCATION	M1	M2	N	P	Q	S
Abutment 1S	3'-2 1/2"	2'-10 1/2"	4'-10"	21'-0"	15'-0"	10'-10"
Abutment 1N	2'-10 1/2"	3'-1 1/2"	10'-10"	15'-0"	21'-0"	4'-10"
Abutment 2S	2'-4 1/2"	2'-8 1/2"	10'-10"	15'-0"	21'-0"	4'-10"
Abutment 2N	2'-7 1/2"	2'-4 1/2"	4'-10"	21'-0"	15'-0"	10'-10"

MICHAEL BAKER, JR. CONSULTING ENGINEERS
ROCHESTER, PENNSYLVANIA

ABUTMENT
BRIDGE NO. CUY-1-1631N+S
OVER WILSON MILLS ROAD

STA. 20+96.97
TO 22+43.27

CUYAHOGA COUNTY

Designed	Drawn	Traced	Checked	Reviewed	Date	Revised
F.A.N.	F.A.N.	M.S.	G.S.W.	H.G.H.	12-30-58	