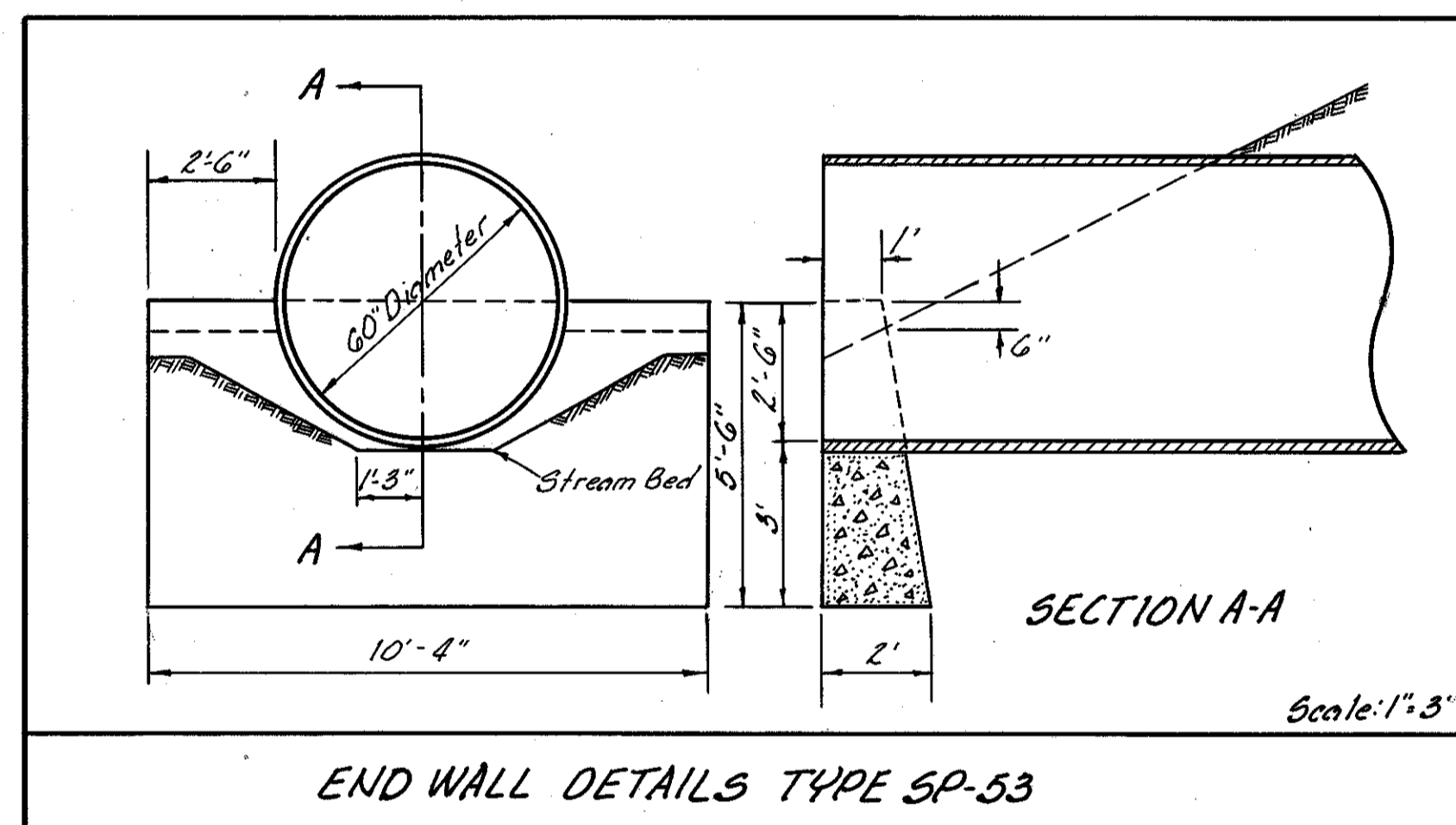
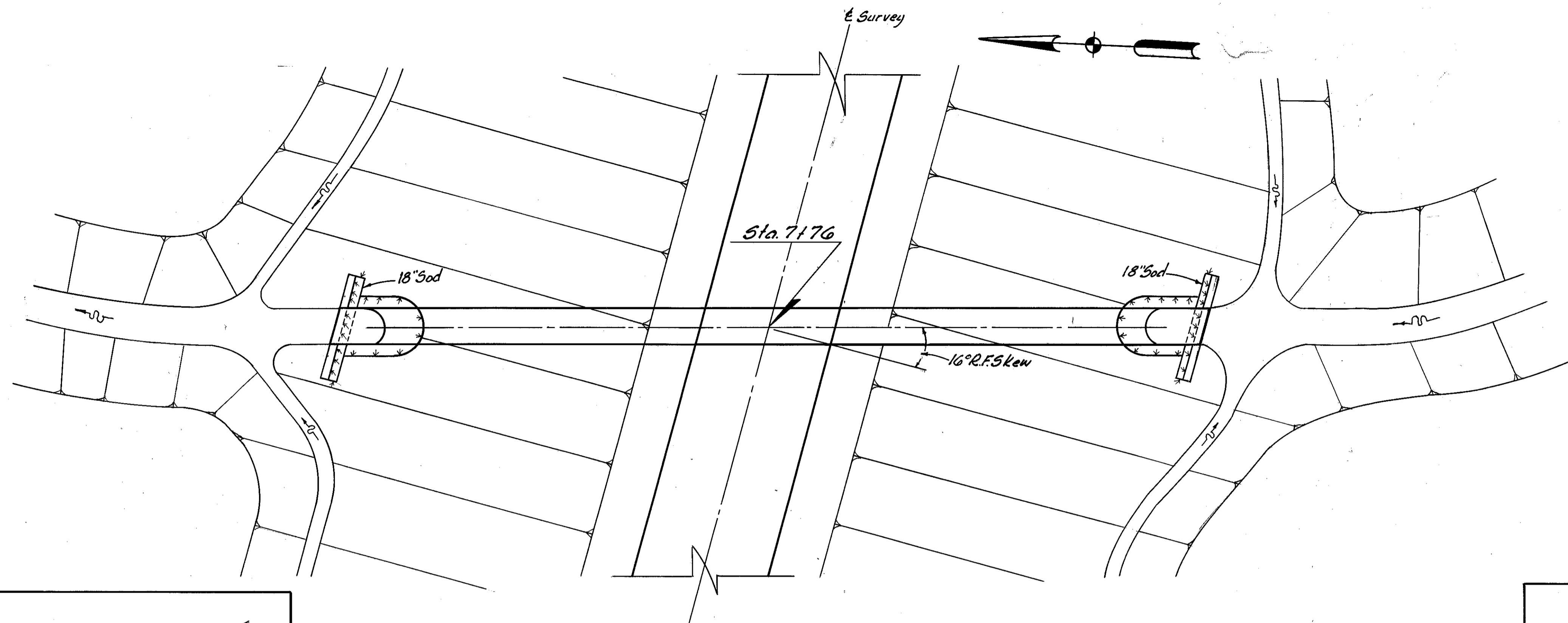


FED. RD. DIVISION	STATE	PROJECT
2	OHIO	I-1102 (6)

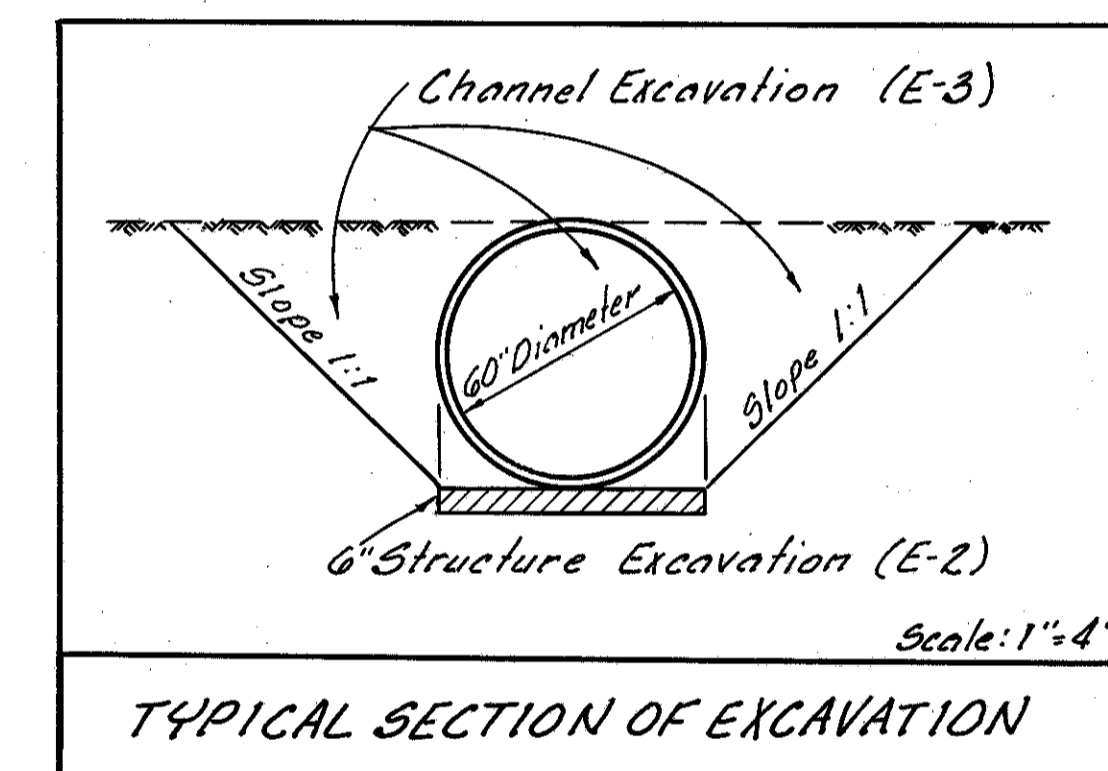
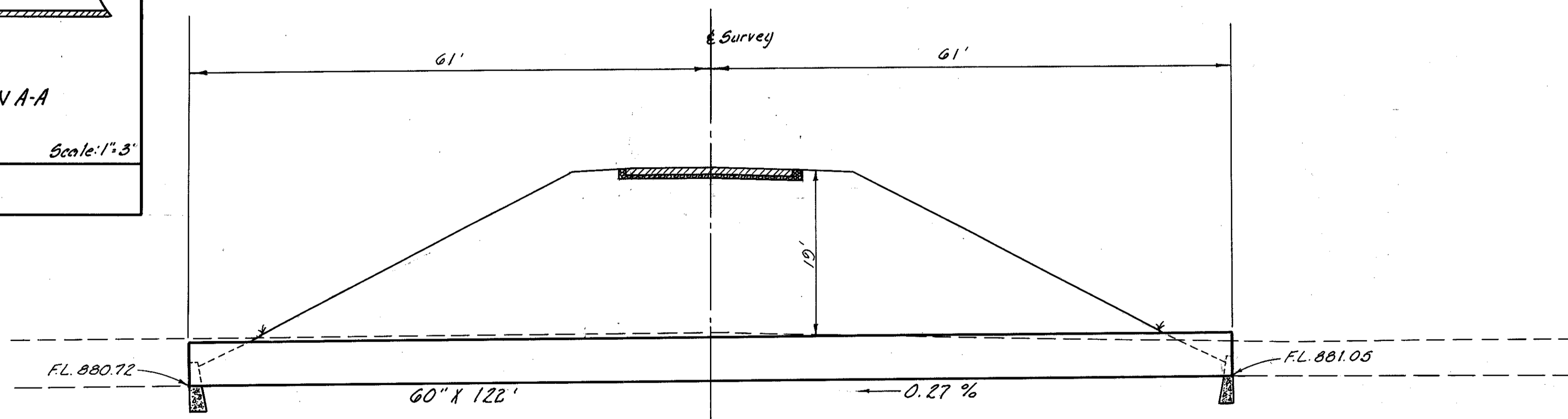
360  
458

CUYAHOGA & LAKE COUNTIES  
CUY-1-15.91  
LAK-1-0.00



Area = 30 Acres  
Q<sub>50</sub> = 65 C.F.S.

Headwater = 3.31  
Outlet Velocity = 6.5 F.P.S.



**ESTIMATED QUANTITIES**

* E-2 Excavation for Structures	21	Cu. Yds.
E-3 Channel Excavation	244	Cu. Yds.
S-1 Concrete for Structures Class "E"	4.6	Cu. Yds.
S-27 60" Pipe for Roadway Culverts	122	Lin. Ft.
L-10 Bedding	13	Sq. Yds.

\* STRUCTURE EXCAVATION FOR HEADWALL INCLUDED

**CULVERT DATA**

TYPE: Pipe Culvert S-27 Sec. M-6.6 (c) SP-53 Headwalls Rt & Lt.  
SIZE: 60" X 122'

REVISIONS:	3-31-60	Grade Raise for 16'-4" Br. Cl.			
MICHAEL BAKER JR., CONSULTING ENGINEERS ROCHESTER, PENNSYLVANIA					
STATE OF OHIO DEPARTMENT OF HIGHWAYS STATE HIGHWAY NO. 1 C-41 CULVERT SECTION STA. 7+76 WHITE ROAD					
Designed	Drawn	Traced	Checked	Reviewed Date	Revised
L. I.	L. I.	E.C. K.G.	B.P.		

Scale: 1"=10'