

STANDARD NO. 3-A CATCH BASIN MODIFIED

NOTES

CASTINGS shall meet the requirements of Item 1-B. The design shall be essentially the same and equally as strong as those shown hereon and shall be given one coat of paint or per specifications.

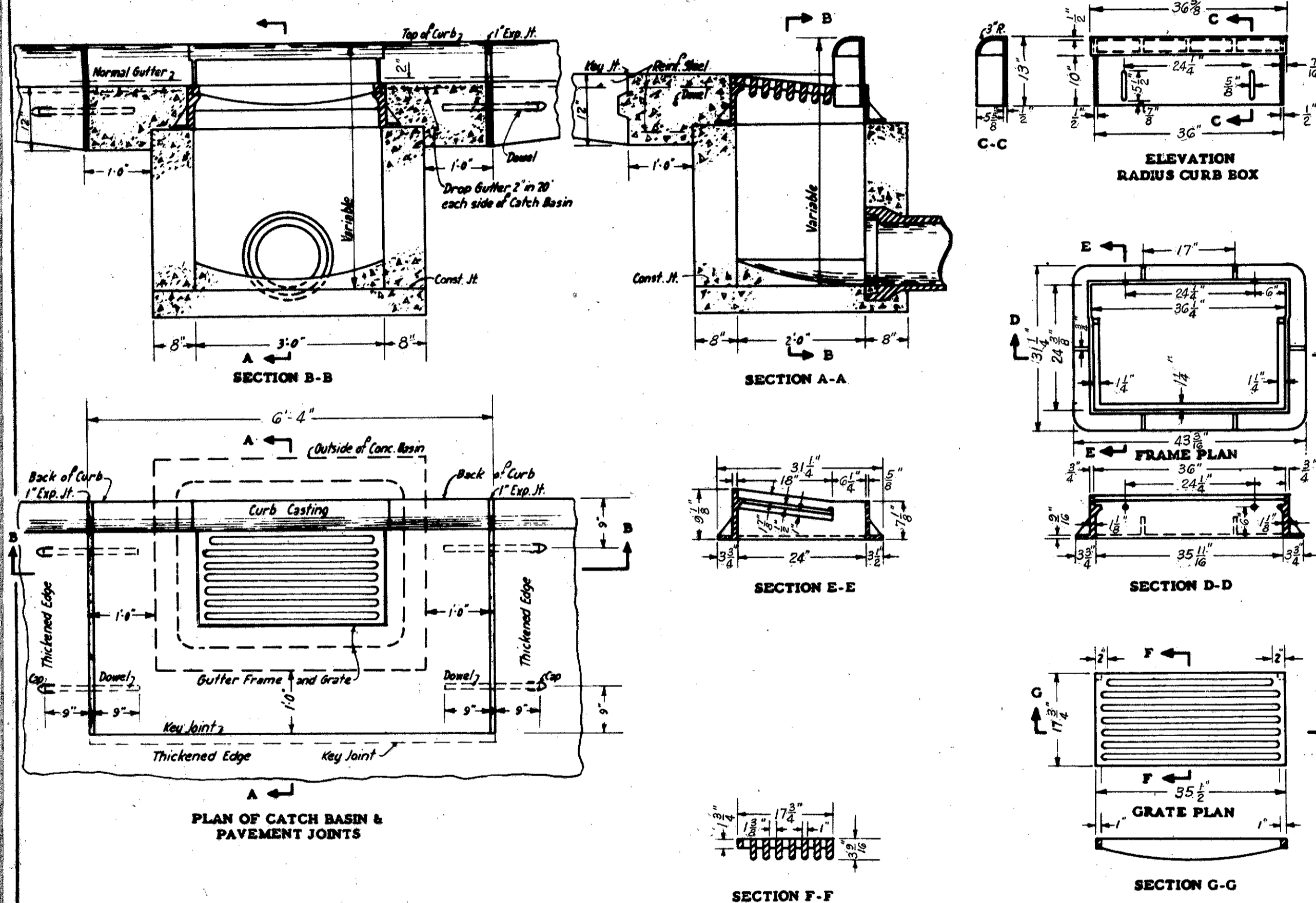
WEIGHTS, minimum
 Curb casting 100 pounds
 Gutter grate 200 pounds
 Gutter frame 300 pounds

BEARING AREAS of frame and grate shall be so filled and finished as to provide a firm and even seat for all portions of the grate in the frame. No projections shall exist on bearing areas of either casting and the grate shall seat in its frame without rocking. Frame and grate shall be filled, matched and marked before delivery to the project.

DOWNELS to be 1 inch round, smooth bars 18 inches long spaced as shown hereon and grouted.

CONCRETE cast in place to be Class "C".
 BRICK OR CONCRETE BLOCK side walls. When used in place of concrete, shall be 8 inches minimum thickness.

PAVEMENT - The portion blocked out of the pavement shall be placed after the casting has been set but shall be paid for as part of the pavement.



STANDARD NO. 1 MANHOLE MODIFIED

NOTES

GENERAL - The design shown hereon is for brick construction. If precast solid concrete blocks, precast concrete rings, or cast in place concrete is used the design shall be modified to fit the dimensions of the material used except that the thickness of the wall shall not be less than 6 inches for precast solid concrete blocks or cast in place concrete construction.

BEARING AREAS of frame and cover shall be so filled and finished as to provide a firm and even seat for all portions of the cover in the frame. No projections shall exist on bearing areas of either casting and each cover shall seat in its frame without rocking. Frames and covers shall be filled, matched and marked before delivery to the project.

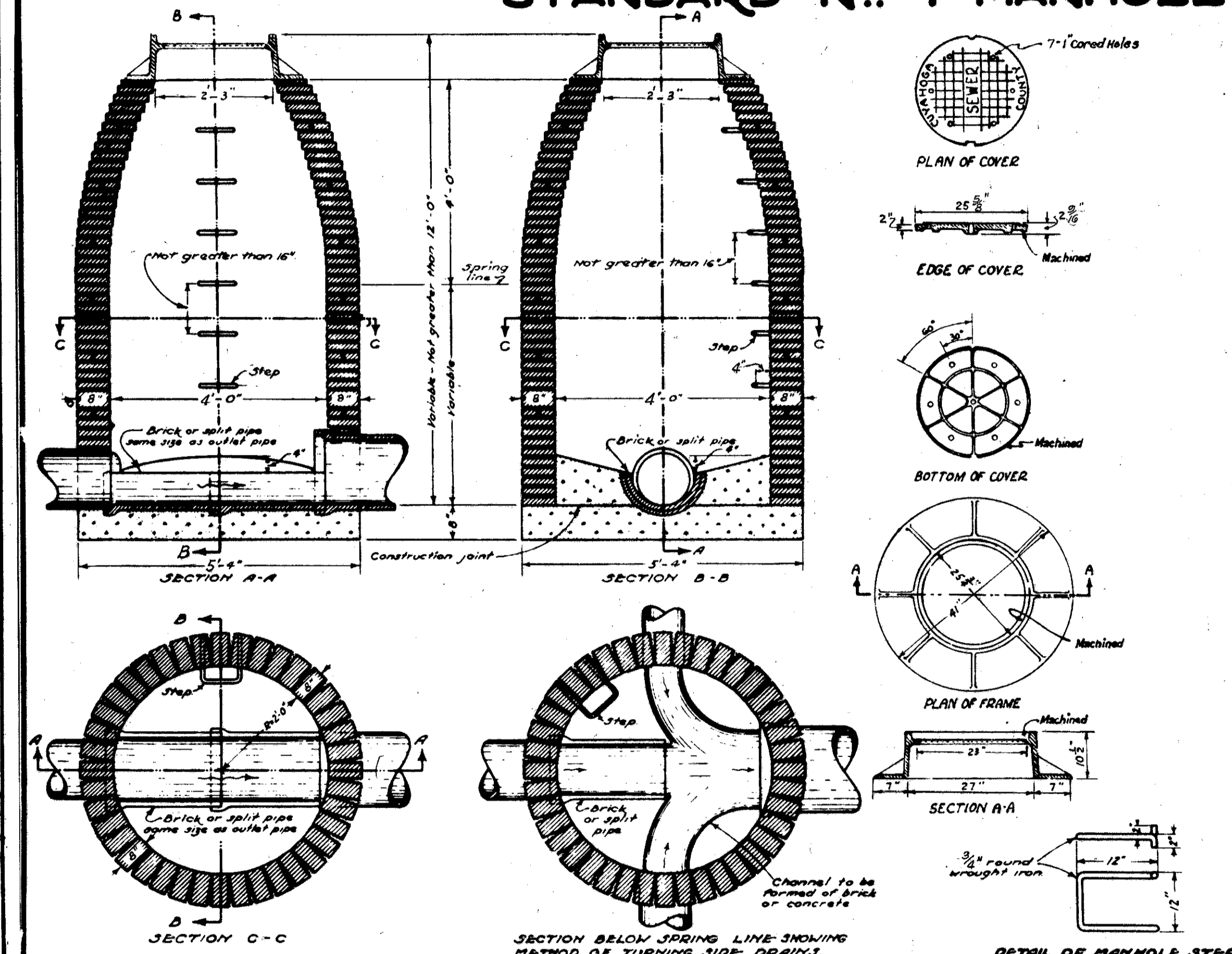
SETTING OF CASTING - The base of the frame shall be set in a full bed of Portland cement mortar and so adjusted to conform to the finished pavement grade.

CASTINGS - Minimum weight of frame and cover 550 pounds.
 Castings shall meet the requirements of Item 1-B. The design shall be essentially the same and equally as strong as those shown hereon, and shall be given one coat of paint as per specifications.

STEPS shall be wrought iron or nodular iron meeting the requirements of Item 1-A and shall be given one coat of paint, Sec. 4-9.19 or Sec. 4-9.19.

CONSTRUCTION - Manholes shall be built of brick, precast concrete blocks, precast concrete rings or cast in place concrete. When manholes are constructed of brick, every sixth course shall be a stretcher course.

Channel sections in the manhole shall be constructed of split pipe or brick except curved sections which may be built by forming a channel in the concrete.



MICHAEL BAKER, JR., CONSULTING ENGINEERS
 ROCHESTER, PENNSYLVANIA

STATE OF OHIO
 DEPARTMENT OF HIGHWAYS
 STATE HIGHWAY NO. 1 SEC. C-41
 ST'D. No. 3-A CATCH BASIN, MODIFIED
 ST'D. No. 1 MANHOLE, MODIFIED

Designed	Drawn	Traced	Checked	Reviewed	Date	Revised
CUYAHOGA CO. ENGR.	CUY. CO. ENGR.	NEELY B. PRINT	W.T.P.			