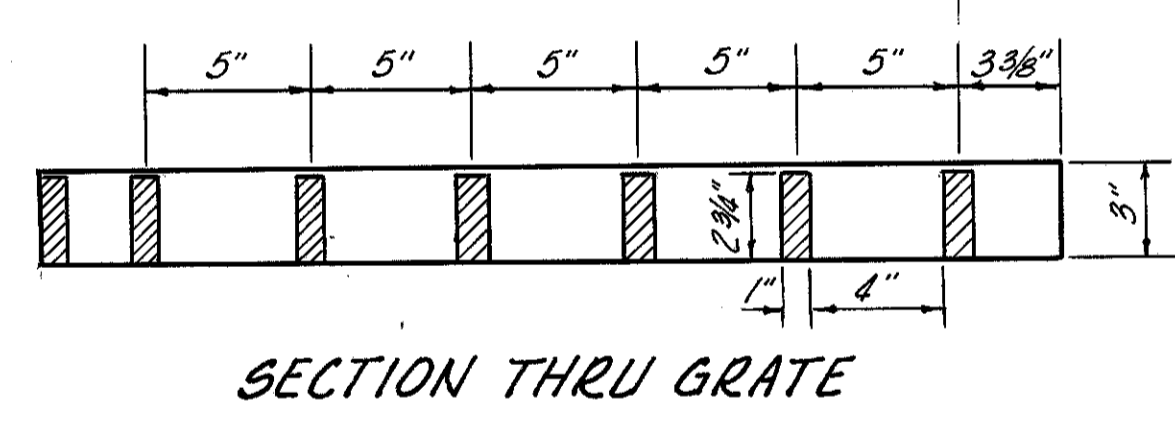
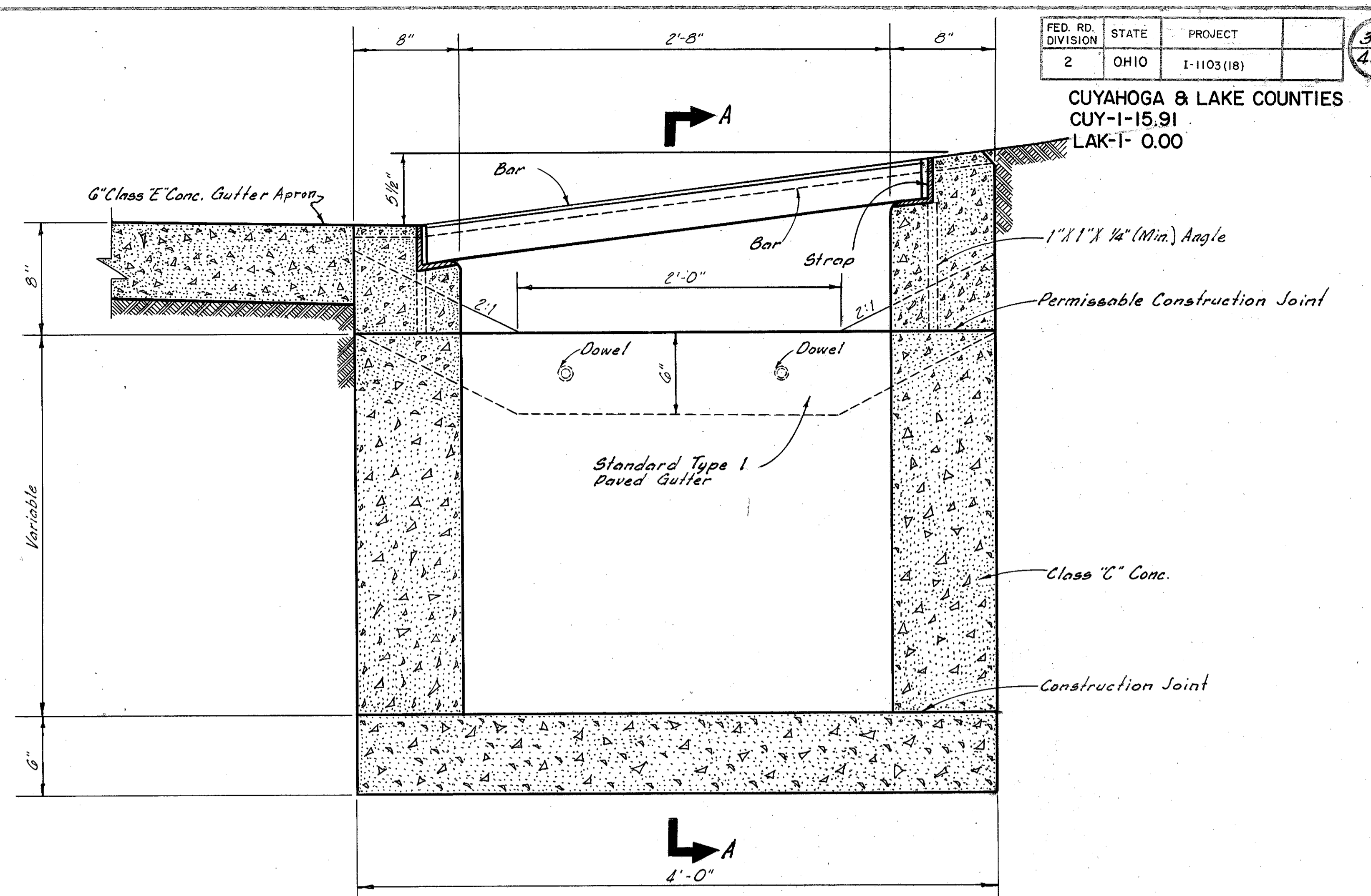
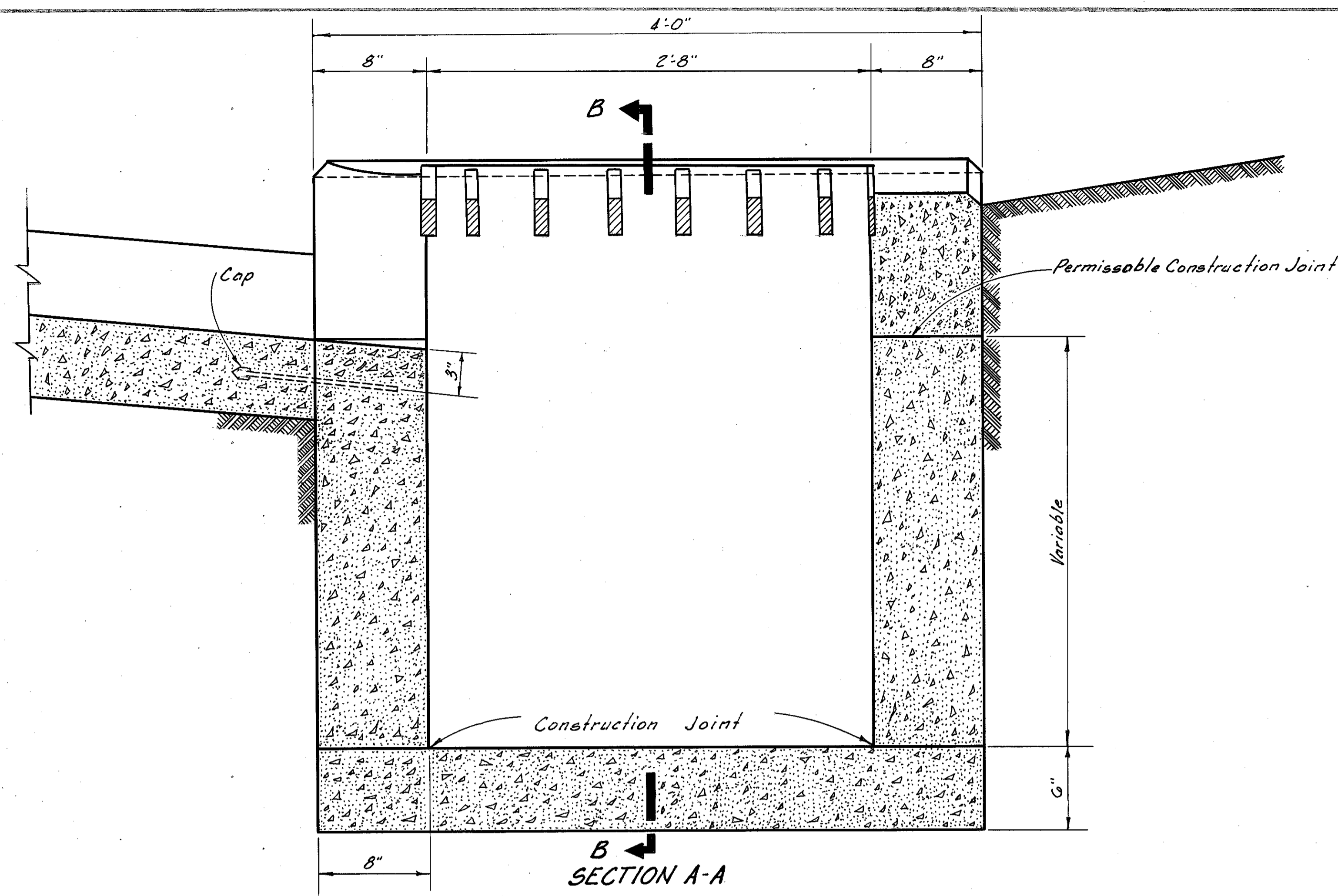
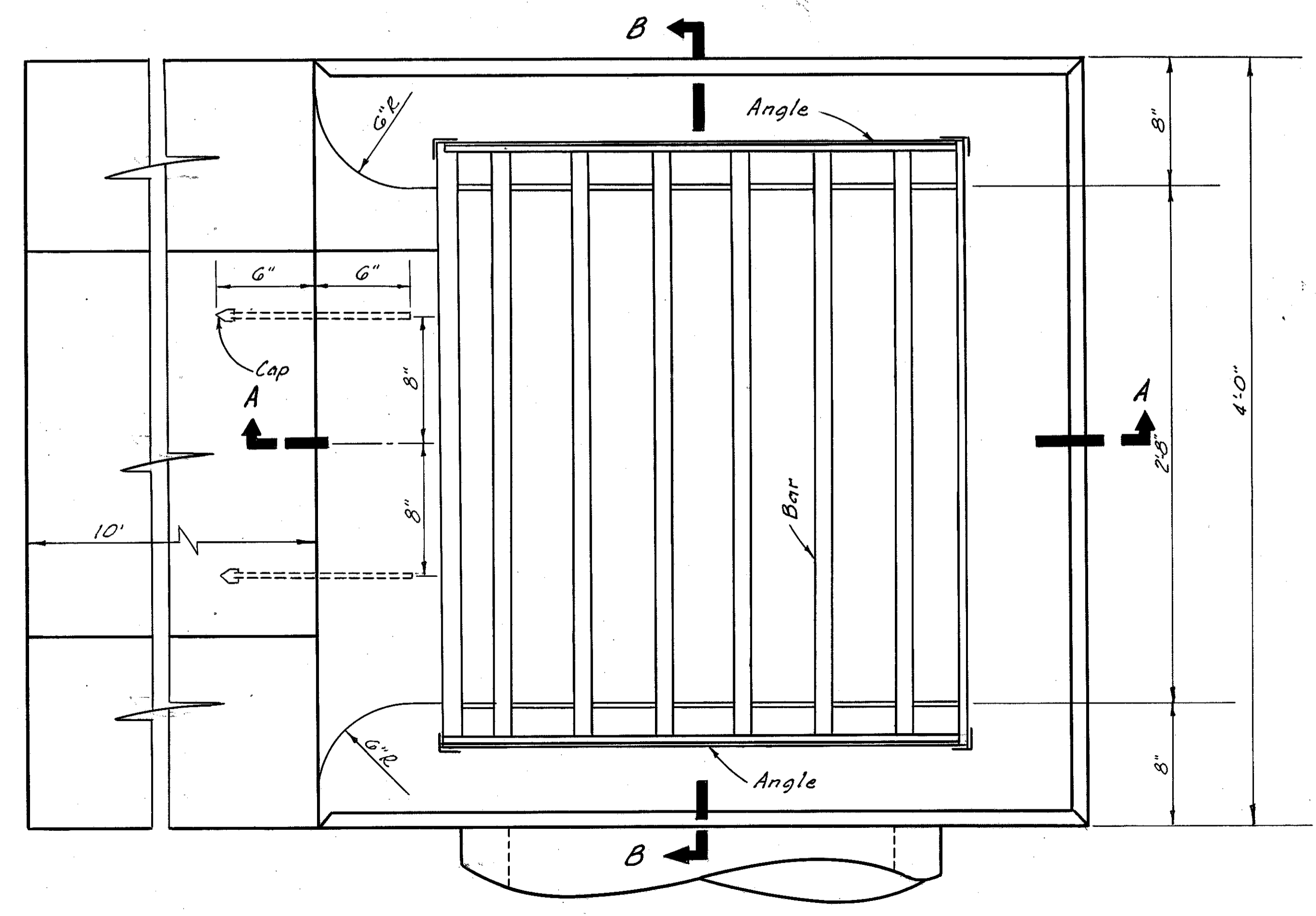


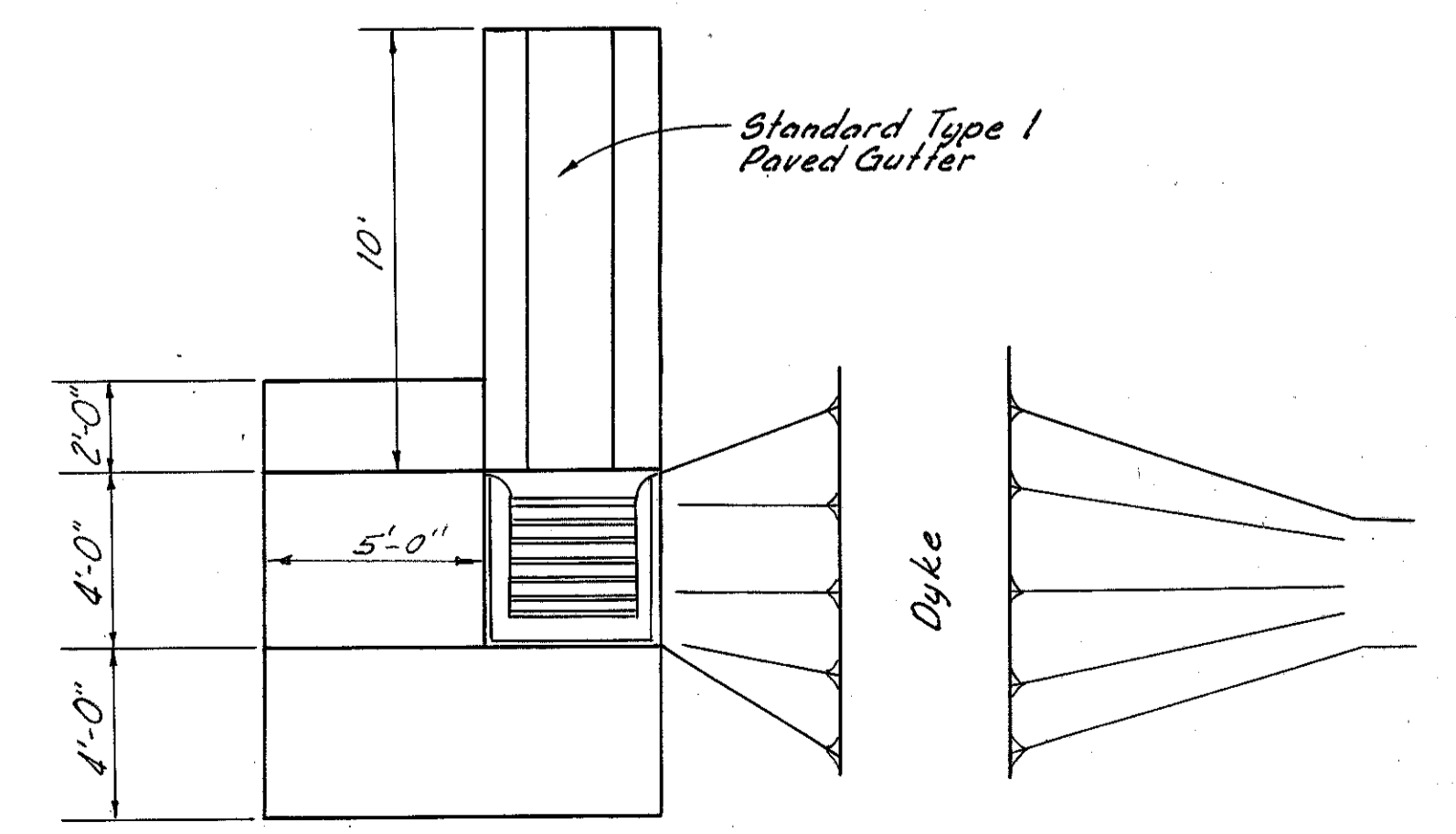
CUYAHOGA & LAKE COUNTIES
CUY-1-15.91
LAK-1- 0.00



SECTION B-B



PLAN OF CATCH BASIN



PLAN OF ROADSIDE DITCH & PAVED GUTTERS AT CATCH BASIN

NOTE: Unless otherwise shown Details and Notes shall conform to Standard Drawing I-8 C.B. No. 5. Paved Gutters shall be provided on both sides of the Catch Basin in sags. Dowels to be 1" Round Smooth Bars 12" Long, spaced as shown in this detail. Cost of the paved gutter apron & the 10' of Type 1 Paved Gutter as shown in this Detail shall be included in the unit bid for the Catch Basin.

MICHAEL BAKER JR. CONSULTING ENGINEERS		ROCHESTER, PENNSYLVANIA	
STATE OF OHIO			
DEPARTMENT OF HIGHWAYS			
STATE HIGHWAY NO. 1			
C-42			
I-8 CATCH BASIN No. 5			
MODIFIED			
Designed	Drawn	Traced	Checked
L. I.	L. I.	E. C.	B. P.
Reviewed	Date	Revised	